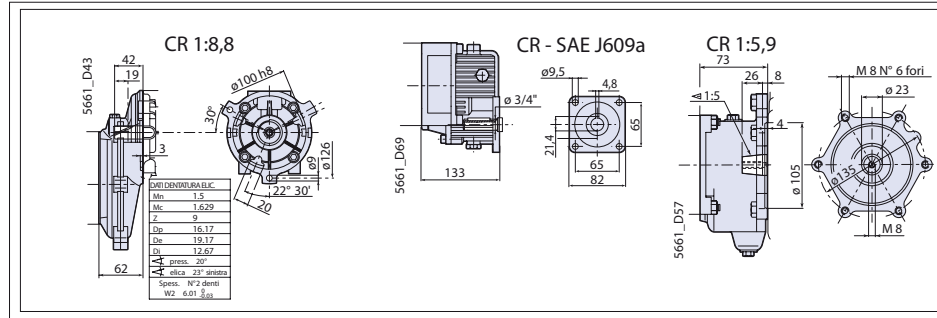


DIMENSIONS • DIMENSIONI

AR 50

Pumps
Pompe



© Sett 2008 by AnnoviReverberi spa