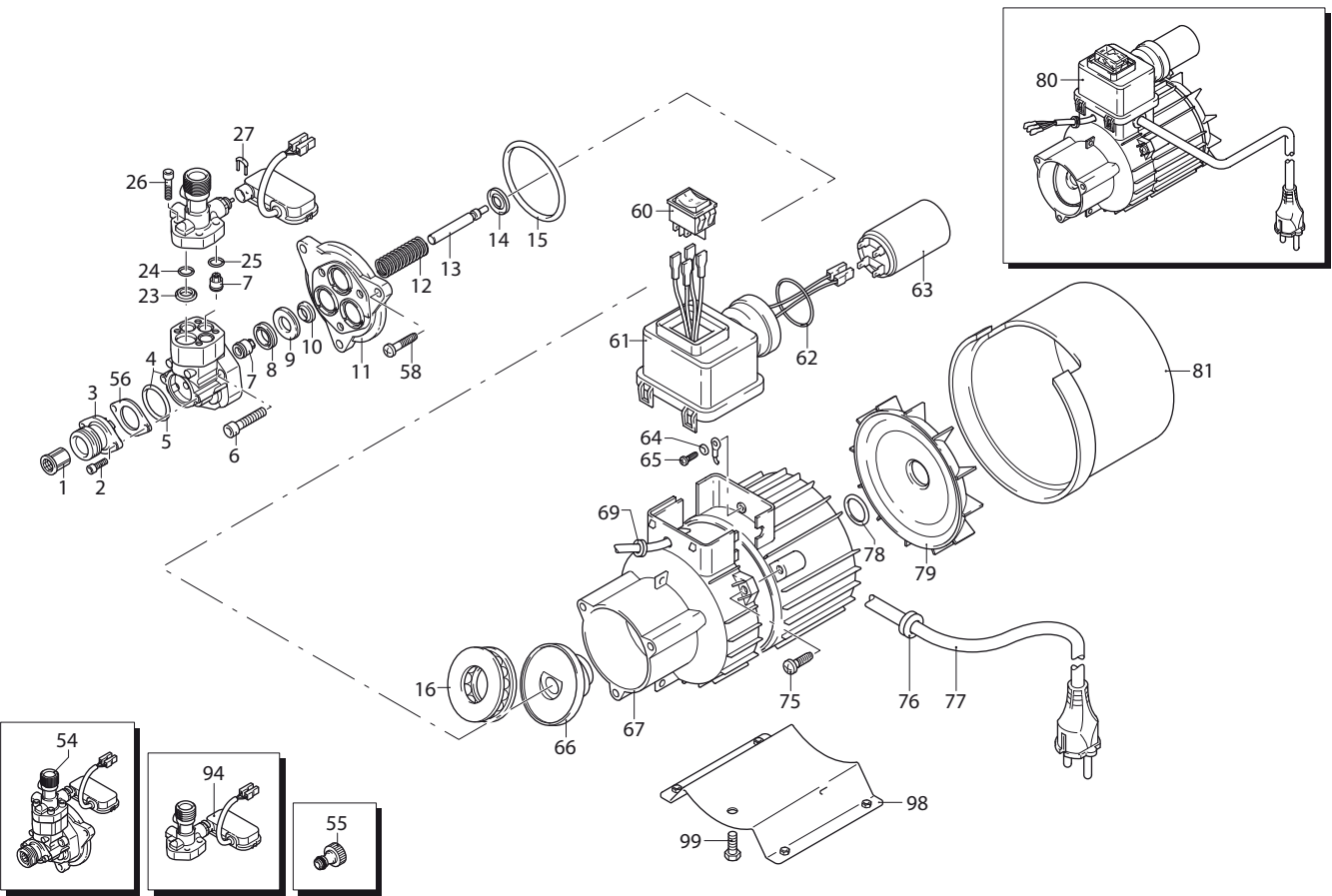


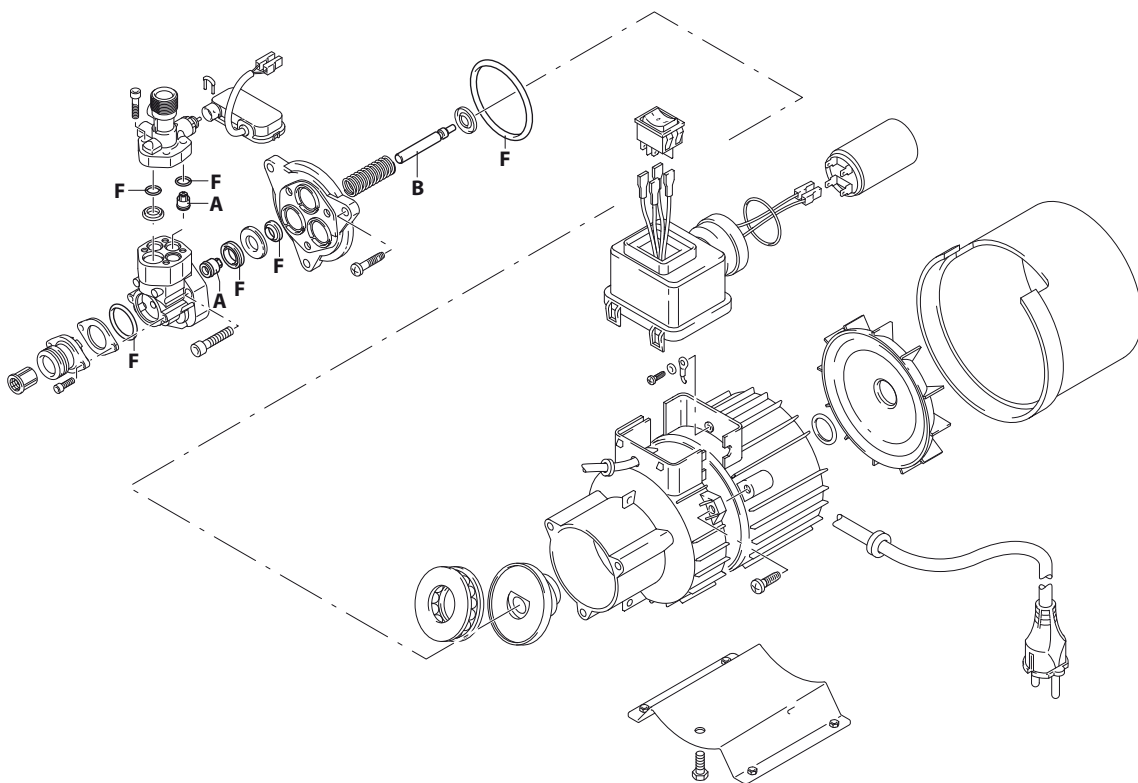
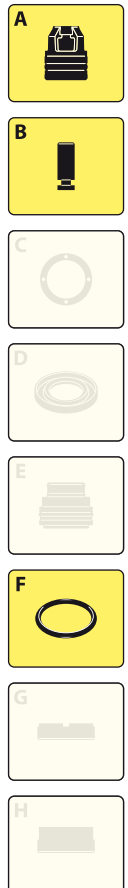
HPN

2800_{rpm}



UN003344-AV

KIT RICAMBI / PART KITS



UN003345-AV



Pos.	Cod. Part n°	Denominazione	Description	Q.tà Q.ty	Note Vedi / See	Pos.	Cod. Part n°	Denominazione	Description	Q.tà Q.ty	Note Vedi / See
1	1340260	Filtro aspirazione acqua	Water suction filter	1		80	44338	Motore	Electric motor	1	●
2	2101000	Vite TCEI M 4x15	Screw	2			44339	Motore	Electric motor	1	□
3	2100540	Raccordo aspirazione	Suction fitting	1		81	2102110	Convogliatore	Conveyor	1	
4	2122	Testa pompa + OR	Pump head + O-Ring	1		94	2264	Prem.raccordo TSS	TSS fitting assembly	1	
5	550350	OR ø 23,81x2,62	O-Ring	1		98	2102660	Staffa	Bracket	1	
6	850850	Vite TCEI M 6x30	Screw	3		99	2900500	Vite TE M 8x12	Screw	1	
7	2109050	Valvola completa	Complete valve	6							
8	2200141	Guarnizione ø 12x20	Gasket	3							
9	2020041	Anello appoggio guarn.	Gasket support ring	3							
10	1683500	Anello tenuta	Seal ring	3							
11	2100030	Guida pistone ø 12	Piston guide	1							
12	2561120	Molla	Spring	3							
13	2100130	Pistone ø 12	Piston	3							
14	2020140	Piattello portamolla	Spring plate	3							
15	850840	OR ø 62x2	O-Ring	1							
16	2021570	Cuscinetto	Bearing	1							
23	2560480	Boccola	Bushing	1							
24	394280	OR ø 12,42x1,78	O-Ring	1							
25	880840	OR ø 9,25x1,78	O-Ring	3							
26	1260760	Vite TCEI M 5x20	Screw	4	Autoformante						
27	2021960	Forcella	Clip	1							
54	42420	Prem.pompa TSS	TSS pump assembly	1							
55	1461470	Innesto raccordo+guarn.	Attachment for tap+gasket	1							
56	2101450	Flangia fissaggio racc.	Inlet fitting plate	1							
58	2100980	Vite autof. TC 5x20	Screw	3							
60	1682270	Interruttore	Switch	1							
61	2100060	Scatola interruttore	Switch box	1							
62	390201	OR ø 39,34x2,62	O-Ring	1							
63	1682640	Condensatore 25 µF	Capacitor 25 µF	1	●						
	1680670	Condensatore 30 µF	Capacitor 30 µF	1	□						
64	1262400	Rosetta ø 4	Washer	1							
65	2020570	Vite autof. M 4x12	Screw	1							
66	2102170	Piattello oscillante	Wobble plate	1	●						
	2102180	Piattello oscillante	Wobble plate	1	□						
67	2109270	Prem. corpo pompa	Pump housing assembly	1							
69	2100110	Passacavo	Gland	1							
75	2100980	Vite autof. M 5x20	Screw	3							
76	2100110	Passacavo	Gland	1							
77	1272600	Cavo	Cable	1							
78	2020850	Rondella	Washer	1							
79	1680250	Ventola	Fan	1							

KIT RICAMBI - PART KITS

A=KIT 2574 valvole valves		B=KIT 2508 pistoni pistons		F=KIT 42421 OR O-Rings		Pos.	Q.ty
Pos.	Q.ty	Pos.	Q.ty	Pos.	Q.ty	Pos.	Q.ty
7	6	13	3	5	1		
				8	3		
				10	3		
				15	1		
				24	1		
				25	3		

Pos.	Q.ty	Pos.	Q.ty	Pos.	Q.ty	Pos.	Q.ty

SIMBOLOGIA - SYMBOLS

● Per / For HPN 8.10 TSS	□ Per / For HPN 8.12 TSS		
-----------------------------	-----------------------------	--	--

DIMENSIONS / DIMENSIONES / ABMESSUNGEN / DIMENSIONES / DIMENSIONI