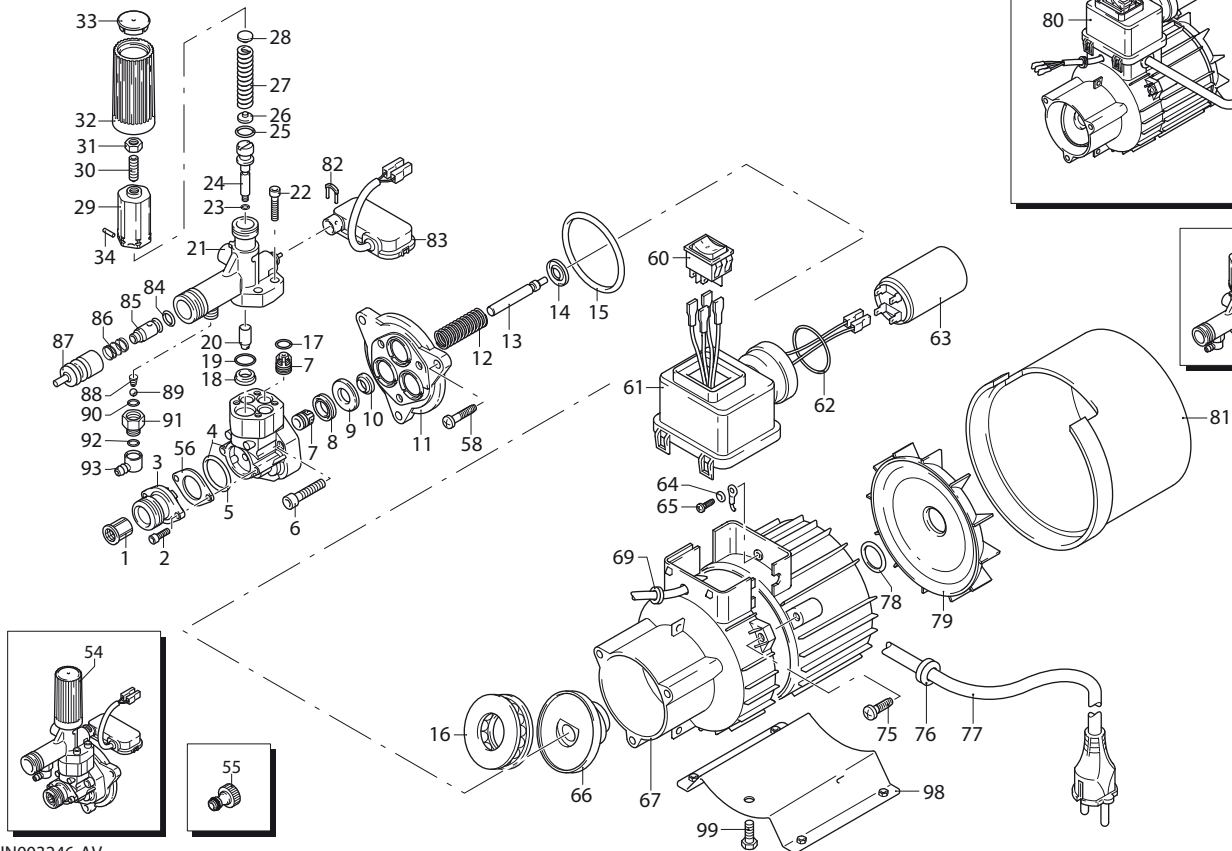
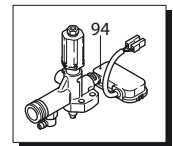
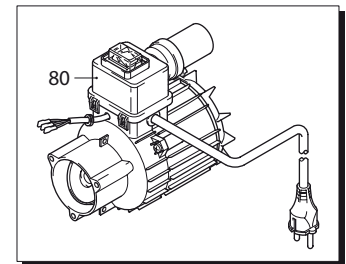


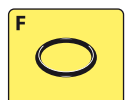
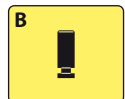
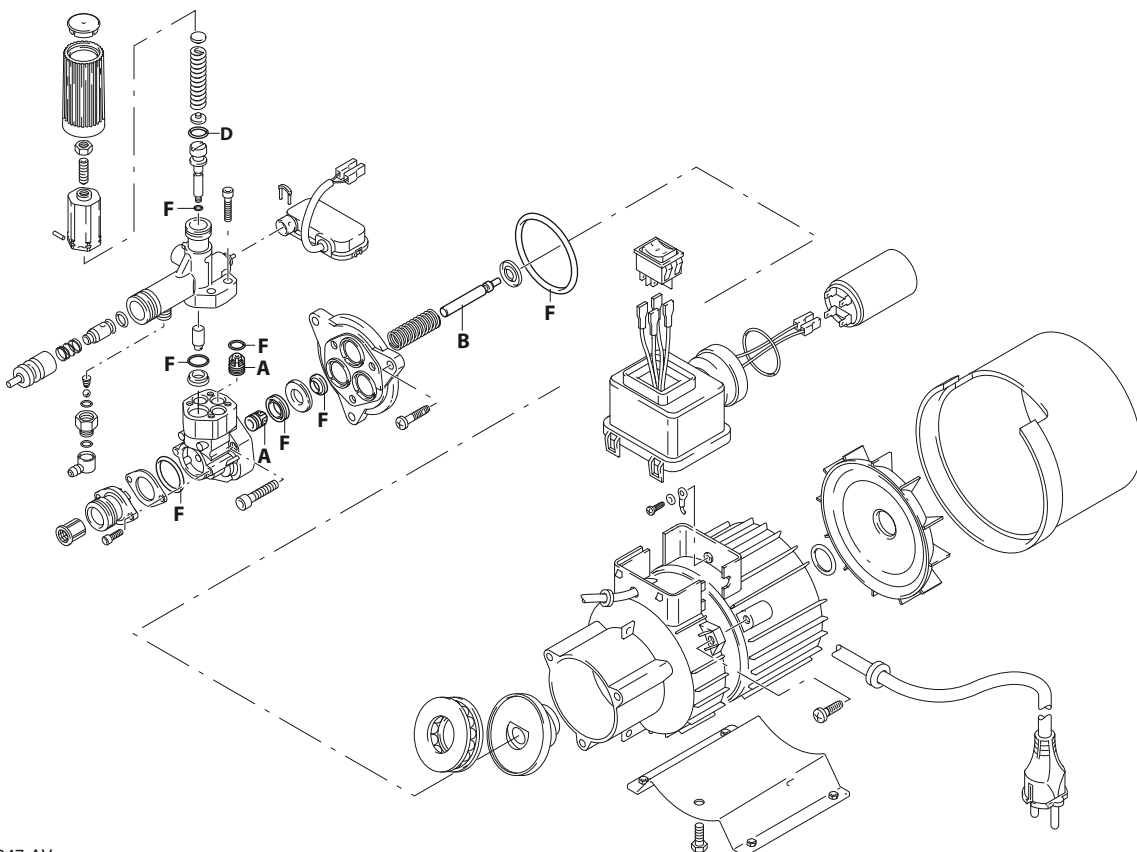
HPN

2800_{rpm}



UN003246-AV

KIT RICAMBI / PART KITS



UN003247-AV



Pos.	Cod. Part n°	Denominazione	Description	Q.tà Q.ty	Note Vedi / See	Pos.	Cod. Part n°	Denominazione	Description	Q.tà Q.ty	Note Vedi / See
1	1340260	Filtro aspirazione acqua	Water suction filter	1		63	1682640	Condensatore 25 µF	Capacitor 25 µF	1	●
2	2101000	Vite TCEI M 4x15	Screw	2			1680670	Condensatore 30 µF	Capacitor 30 µF	1	□
3	2100540	Raccordo aspirazione	Suction fitting	1		64	1262400	Rosetta ø 4	Washer	1	
4	2122	Testa pompa + OR	Pump head + O-Ring	1		65	2020570	Vite autof. M 4x12	Screw	1	
5	550350	OR ø 23,81x2,62	O-Ring	1		66	2102170	Piattello oscillante	Wobble plate	1	●
6	850850	Vite TCEI M 6x30	Screw	3			2102180	Piattello oscillante	Wobble plate	1	□
7	2109050	Valvola completa	Complete valve	6		67	2109270	Prem. corpo pompa	Pump housing assembly	1	
8	2200141	Guarnizione ø 12x20	Gasket	3		75	2100980	Vite autof. M 5x20	Screw	3	
9	2020041	Anello appoggio guarn.	Gasket support ring	3		76	2100110	Passacavo	Gland	1	
10	1683500	Anello tenuta	Seal ring	3		77	1343400	Cavo	Cable	1	
11	2100030	Guida pistone ø 12	Piston guide	1		78	2020850	Rondella	Washer	1	
12	2561120	Molla	Spring	3		79	1680250	Ventola	Fan	1	
13	2100130	Pistone ø 12	Piston	3		80	44291	Motore	Electric motor	1	●
14	2020140	Piattello portamolla	Spring plate	3			44292	Motore	Electric motor	1	□
15	850840	OR ø 62x2	O-Ring	1		81	2102110	Convogliatore	Conveyor	1	
16	2021570	Cuscinetto	Bearing	1		82	2021960	Forcella	Clip	1	
17	880840	OR ø 9,25x1,78	O-Ring	3		83	2029738	Prem. TSS	TSS assembly	1	
18	2020481	Sede valvola	Valve seat	1		84	2102640	OR ø 4x2	O-Ring	1	
19	394280	OR ø 12,42x1,78	O-Ring	1		85	1460260	Pistone	Piston	1	
20	1460150	Pistone inferiore	Lower piston	1		86	1540140	Molla	Spring	1	
21	2021811	Raccordo mandata	Outlet fitting	1		87	2020490	Iniettore detergente	Detergent injector	1	
22	1260760	Vite TCEI M 5x20	Screw	4	Autoformante	88	1250270	Molla valvola	Valve spring	1	
23	1080190	OR ø 2,90x1,78	O-Ring	1		89	1250280	Sfera inox	Stainless steel ball	1	
24	1460140	Pistone superiore	Upper piston	1		90	480480	OR ø 4,48x1,78	O-Ring	1	
25	600180	OR ø 7,66x1,78	O-Ring	1		91	2320210	Raccordo	Fitting	1	
26	1343450	Piattello molla	Spring plate	1		92	480560	OR ø 6,75x1,78	O-Ring	1	
27	1460190	Molla	Spring	1		93	2320180	Portagomma	Hose tail	12	
28	1343000	Piattello molla	Spring plate	1		94	42415	Prem.raccordo TSS	TSS fitting assembly	1	
29	1980390	Inserto manopola	Knob insert	1		98	2102660	Staffa	Bracket	1	
30	1060120	Dado M 6	Nut	1		99	2900500	Vite TE M 8x12	Screw	1	
31	392840	Grano M 6x16	Grub screw	1							
32	1981780	Manopola	Knob	1							
33	1981770	Tappo manopola	Knob plug	1							
34	1080070	Spina	Pin	1							
54	42418	Prem.pompa TSS	TSS pump assembly	1							
55	1461470	Innesto raccordo+guarn.	Attachment for tap+gasket	1							
56	2101450	Flangia fissaggio racc.	Inlet fitting plate	1							
58	2100980	Vite autof. TC 5x20	Screw	3							
60	1682270	Interruttore	Switch	1							
61	2100060	Scatola interruttore	Switch box	1							
62	390201	OR ø 39,34x2,62	O-Ring	1							

KIT RICAMBI - PART KITS

A=KIT 2574 valvole valves		B=KIT 2508 pistoni pistons		F=KIT 42419 OR O-Rings			
Pos.	Q.ty	Pos.	Q.ty	Pos.	Q.ty	Pos.	Q.ty
7	6	13	3	5	1	23	1
				8	3	25	1
				10	3		
				15	1		
				17	3		
				19	1		

Pos.	Q.ty	Pos.	Q.ty	Pos.	Q.ty	Pos.	Q.ty

SIMBOLOGIA - SYMBOLS

● Per / For
HPN 8.10
TSS/REG

□ Per / For
HPN 8.12
TSS/REG

DIMENSIONS / DIMENSIONES / ABMESSUNGEN / DIMENSIONES / DIMENSIONI