



**ANNOVI
REVERBERI**
The Power of Experience

ANNOVI REVERBERI S.p.A.
Via M. L. King, 3 - 41100 Modena (Italy)
Tel. (+39) 059.414.411 - Fax (+39) 059.253.505
E - Mail: industria@annovireverberi.it

Regulating valves
Soupapes de régulation
Regelungsventile
Válvulas de regulación
Valvole di regolazione
COMBISET B



TECHNICAL DATA / DONNEES TECHNIQUES / TECHNISCHE ANGABEN
CARACTERISTICAS TECNICAS / CARATTERISTICHE TECNICHE

REGULATING VALVES SOUPAPES DE REGULATION REGELUNGSVENTILE VALVULAS DE REGULACION VALVOLE DI REGOLAZIONE	CAPACITY DEBIT LEISTUNG CAUDAL PORTATA l/min	PRESSURE PRESSION DRUCK PRESION PRESSIONE bar	INLET	OUTLET
COMBISET B for HPE, XT series (Cod. 2954)	8÷11	140	1/2" G (M)	3/8" G (M)
COMBISET B for HPE, XT series (Cod. 2955)	13÷16	140	1/2" G (M)	3/8" G (M)
COMBISET B for HPE, XT series (Cod. 2976)	8÷11	140	1/2" G (M)	3/8" G (M)
COMBISET B for HPE, XT series (Cod. 2977)	13÷16	140	1/2" G (M)	3/8" G (M)
COMBISET B for XM series (Cod. 2973)	11	180	1/2" G (M)	3/8" G (M)
COMBISET B for XM series (Cod. 2974)	13÷16	180	1/2" G (M)	3/8" G (M)
COMBISET B for RK series (Cod. 2978)	11	180	1/2" G (M)	3/8" G (M)
COMBISET B for RK series (Cod. 2979)	13÷16	180	1/2" G (M)	3/8" G (M)



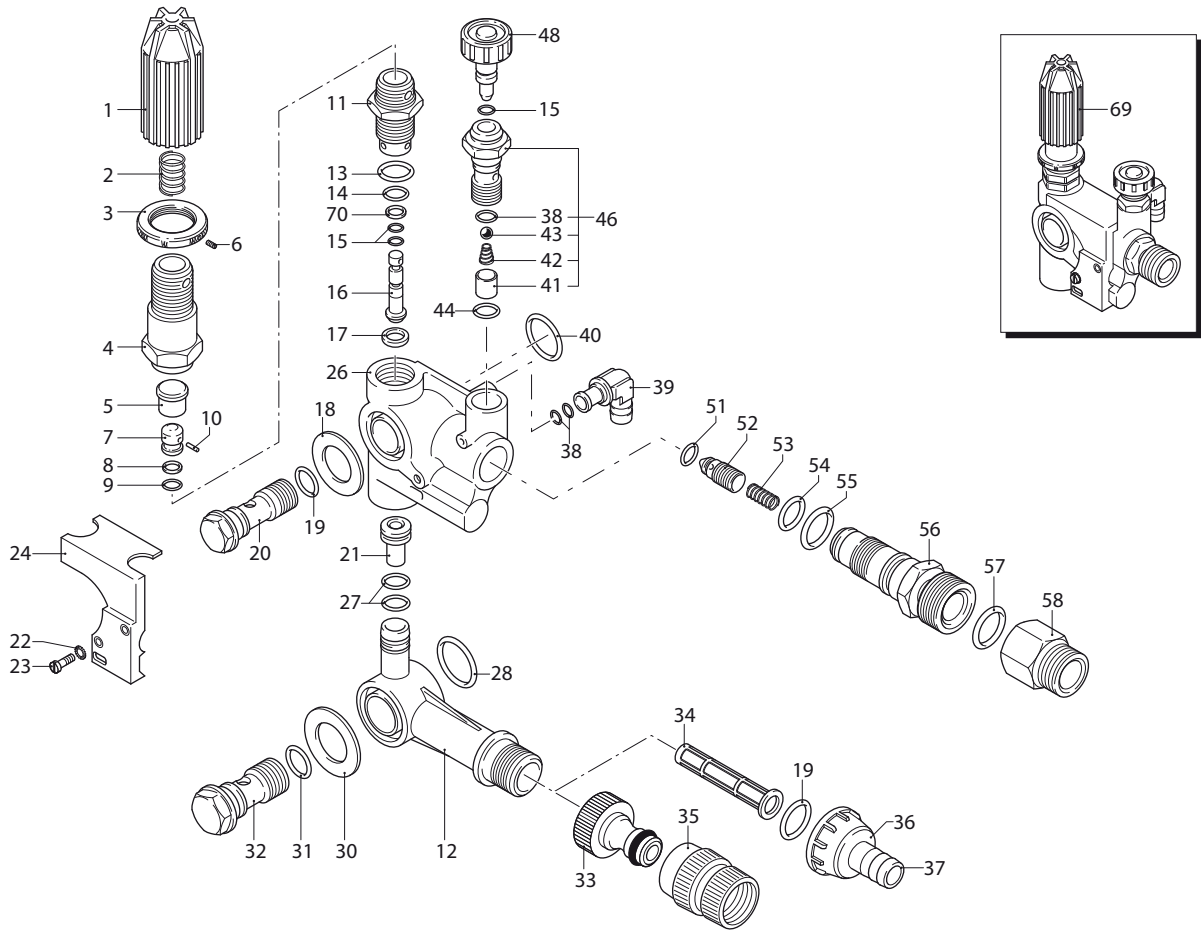
ATTENTION:
ATTENZIONE:
ACHTUNG:
ATENCIÓN:
ATTENZIONE:

- This manual must be read before beginning installation of the unit.
- Ce livret doit être lu avant d'installer et d'employer le produit.
- Das vorliegende Handbuch ist vor der Installation und dem Gebrauch des Produkts aufmerksam zu lesen.
- Este manual debe ser leído antes de proceder a la instalación y uso del producto.
- Il presente libretto va letto prima di procedere all'installazione ed uso del prodotto.



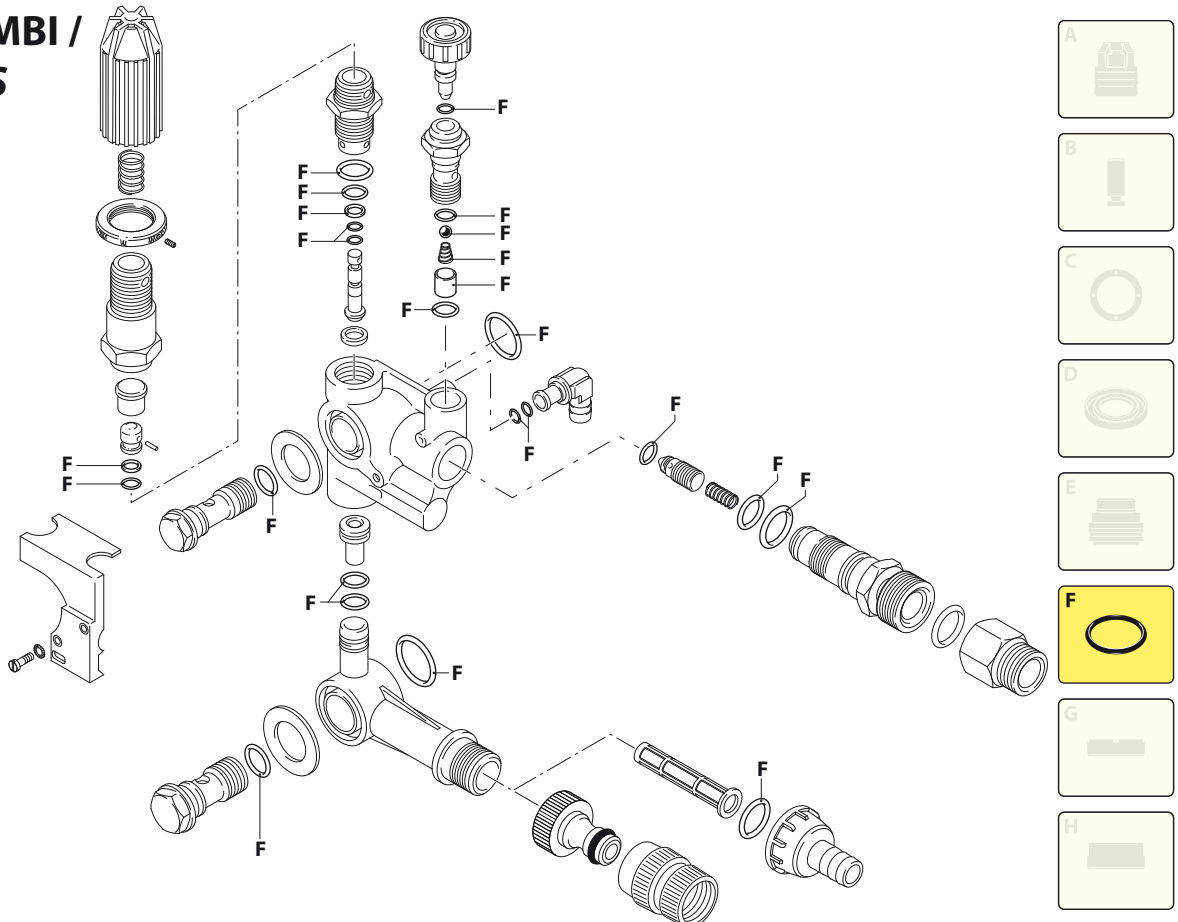
cod. 40020_Combiset_B

COMBISET B



UN002233-AV

KIT RICAMBI / PART KITS



UN002234-AV

COMBISET B



Pos.	Cod. Part n°	Denominazione	Description	Q.tà Q.ty	Note Vedi / See
1	1080331	Manopola	Knob	1	
2	1271070	Molla	Spring	1	
3	1080350	Ghiera	Ring nut	1	
4	1080340	Guida molla	Spring guiding	1	
5	1260701	Piattello	Plate	1	
6	1080360	Grano M 3x4	Grub screw	1	
7	1080041	Pistone superiore	Upper piston	1	
8	1080401	Anello antiestrusione	Ring	1	
9	1080250	OR ø 7,66x1,78	O-Ring	1	
10	1080070	Spina	Pin	1	
11	1260730	Guida pistone	Piston guiding	1	
12	1265890	Collettore aspirazione	Inlet fitting	1	
13	740290	OR ø 14x1,78	O-Ring	1	
14	800560	OR ø 8,73x1,78	O-Ring	1	
15	1080190	OR ø 2,90x1,78	O-Ring	3	
16	1271160	Pistone inferiore	Lower piston	1	
17	1080121	Sede by-pass	By-pass seat	1	
18	1260570	Rondella	Washer	1	
19	390080	OR ø 11,91x2,62	O-Ring	2	
20	1540270	Vite 3/8" G	Screw	1	Ottone/Brass
	1540430	Vite 3/8" G	Screw	1	Inox/Steel
21	1380570	Boccola	Bushing	1	+ x
22	395370	Grower 3x5,5x0,9	Grower	2	Optional
23	395270	Vite TCB M 3x8	Screw	2	Optional
24	1260531	Coperchio manometro	Pressure gauge cap	1	Optional
26	1271640	Corpo valvola	Valve housing	1	
27	770140	OR ø 11,11x1,78	O-Ring	2	
28	1180140	OR ø 25,07x2,62	O-Ring	1	
30	1260560	Rondella	Washer	1	
31	880270	OR ø 17,17x1,78	O-Ring	1	
32	1540260	Vite 1/2" G	Screw	1	Ottone/Brass
33	1270940	Innesto racc.+guarn.	Attachment for tap+gasket	1	1/2" G
34	1260660	Filtro asp. acqua	Water suction filter	1	
35	40126	Raccordo aspirazione	Suction fitting GHT	1	
36	1200330	Girello 1/2" G	Ring nut	1	
37	550551	Portagomma ø 12	Hose tail	1	
38	480480	OR ø 4,48x1,78	O-Ring	3	
39	1260670	Raccordo detergente	Detergent fitting	1	
40	720030	OR ø 22,22x2,62	O-Ring	1	
41	1262940	Gabbia valvola	Valve cage	1	
42	1250270	Molla valvola	Valve spring	1	
43	1250280	Sfera inox	Inox ball	1	

Pos.	Cod. Part n°	Denominazione	Description	Q.tà Q.ty	Note Vedi / See
44	880840	OR ø 9,25x1,78	O-Ring	1	
46	1269041	Corpo iniettore	Injector housing	1	
48	1269010	Pomello completo	Complete knob	1	
51	1460430	OR ø 4x2,5	O-Ring	1	
52	1540170	Otturatore	Jet	1	
53	1080091	Molla sfera	Spring	1	
54	394280	OR ø 12,42x1,78	O-Ring	1	
55	1200690	OR ø 15,6x1,78	O-Ring	1	
56	1270091	Iniettore detergente	Detergent injector	1	● ■
	1270101	Iniettore detergente	Detergent injector	1	○ □
	1270141	Iniettore detergente	Detergent injector	1	▼ +
	1270151	Iniettore detergente	Detergent injector	1	▲ x
57	390180	OR ø 18,72x2,62	O-Ring	1	● ○
58	1263640	Racc. mandata 3/8" G	Fitting 3/8" G	1	● ○
69	1279224	Prem. Combiset	Pre-ass. Combiset	1	● ■
	1279223	Prem. Combiset	Pre-ass. Combiset	1	○ □
	1279222	Prem. Combiset	Pre-ass. Combiset	1	▼ +
	1279221	Prem. Combiset	Pre-ass. Combiset	1	▲ x
70	1271170	Anello antiestrusione	Ring	1	

KIT RICAMBI - PART KITS

F=KIT 2715 OR O-Rings							
Pos.	Q.ty	Pos.	Q.ty	Pos.	Q.ty	Pos.	Q.ty
8	1	27	2	42	1	70	1
9	1	28	1	43	1		
13	1	31	1	44	1		
14	1	38	3	51	1		
15	3	40	1	54	1		
19	2	41	1	55	1		

Pos.	Q.ty	Pos.	Q.ty	Pos.	Q.ty	Pos.	Q.ty

SIMBOLOGIA - SYMBOLS

- Per / For
COMBISET B
3/8" G - 140 bar
8÷11 l/min
For HPE, XT series
- Per / For
COMBISET B
3/8" G - 140 bar
13÷16 l/min
For HPE, XT series
- ▼ Per / For
COMBISET B
3/8" G - 180 bar
11 l/min
For XM series
- ▲ Per / For
COMBISET B
3/8" G - 180 bar
13÷16 l/min
For XM series
- Per / For
COMBISET B
M 22 - 140 bar
8÷11 l/min
For HPE, XT series
- Per / For
COMBISET B
M 22 - 140 bar
13÷16 l/min
For HPE, XT series
- + Per / For
COMBISET B
3/8" G - 180 bar
11 l/min
For RK series
- x Per / For
COMBISET B
3/8" G - 180 bar
13÷16 l/min
For RK series

DIMENSIONS / DIMENSIONES / ABMESSUNGEN / DIMENSIONES / DIMENSIONI