



**ANNOVI
REVERBERI**
The Power of Experience

ANNOVI REVERBERI S.p.A.

Via M. L. King, 3 - 41122 Modena (Italy)
Tel. (+39) 059.414.411 - Fax (+39) 059.253.505
E - Mail: industria@annovireverberi.it

Regulating valves
Soupapes de régulation
Regelungsventile
Válvulas de regulación
Valvole di regolazione
MINIMATIC 4/B TSS



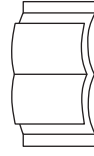
TECHNICAL DATA / DONNEES TECHNIQUES / TECHNISCHE ANGABEN
CARACTERISTICAS TECNICAS / CARATTERISTICHE TECNICHE

REGULATING VALVES SOUPAPES DE REGULATION REGELUNGSVENTILE VALVULAS DE REGULACION VALVOLE DI REGOLAZIONE	CAPACITY DEBIT LEISTUNG CAUDAL PORTATA l/min	PRESSURE PRESSION DRUCK PRESION PRESSIONE bar	INLET	OUTLET
MINIMATIC 4/B TSS, + ID, IDR for HPE, XT, XM, RK series (Cod. 22559)	18	200	1/2" G (F)	3/8" G (M)
MINIMATIC 4/B TSS, + ID, IDR for HPE, XT, XM, RK series (Cod. 22560)	7 ÷ 10 (ø 2,0)	200	1/2" G (F)	3/8" G (M)
MINIMATIC 4/B TSS, + ID, IDR for HPE, XT, XM, RK series (Cod. 22561)	10,1 ÷ 18 (ø 2,3)	200	1/2" G (F)	3/8" G (M)
MINIMATIC 4/B TSS, + ID, IDR for HPE, XT, XM, RK series (Cod. 22562)	7 ÷ 10 (ø 2,0)	200	1/2" G (F)	3/8" G (M)
MINIMATIC 4/B TSS, + ID, IDR for HPE, XT, XM, RK series (Cod. 22563)	10,1 ÷ 18 (ø 2,3)	200	1/2" G (F)	3/8" G (M)

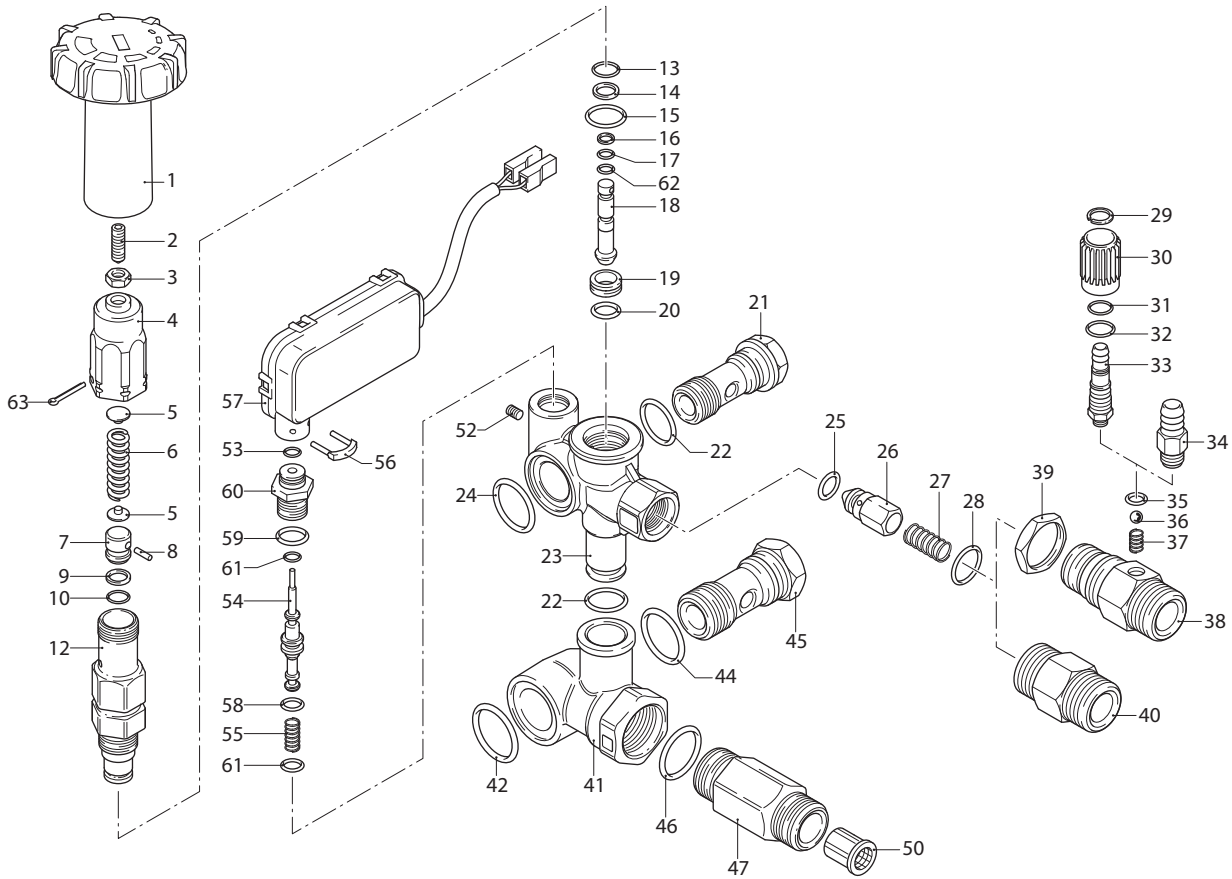


ATTENTION:
ATTENZIONE:
ACHTUNG:
ATENCIÓN:
ATTENZIONE:

- This manual must be read before beginning installation of the unit.
- Ce livret doit être lu avant d'installer et d'employer le produit.
- Das vorliegende Handbuch ist vor der Installation und dem Gebrauch des Produkts aufmerksam zu lesen.
- Este manual debe ser leído antes de proceder a la instalación y uso del producto.
- Il presente libretto va letto prima di procedere all'installazione ed uso del prodotto.

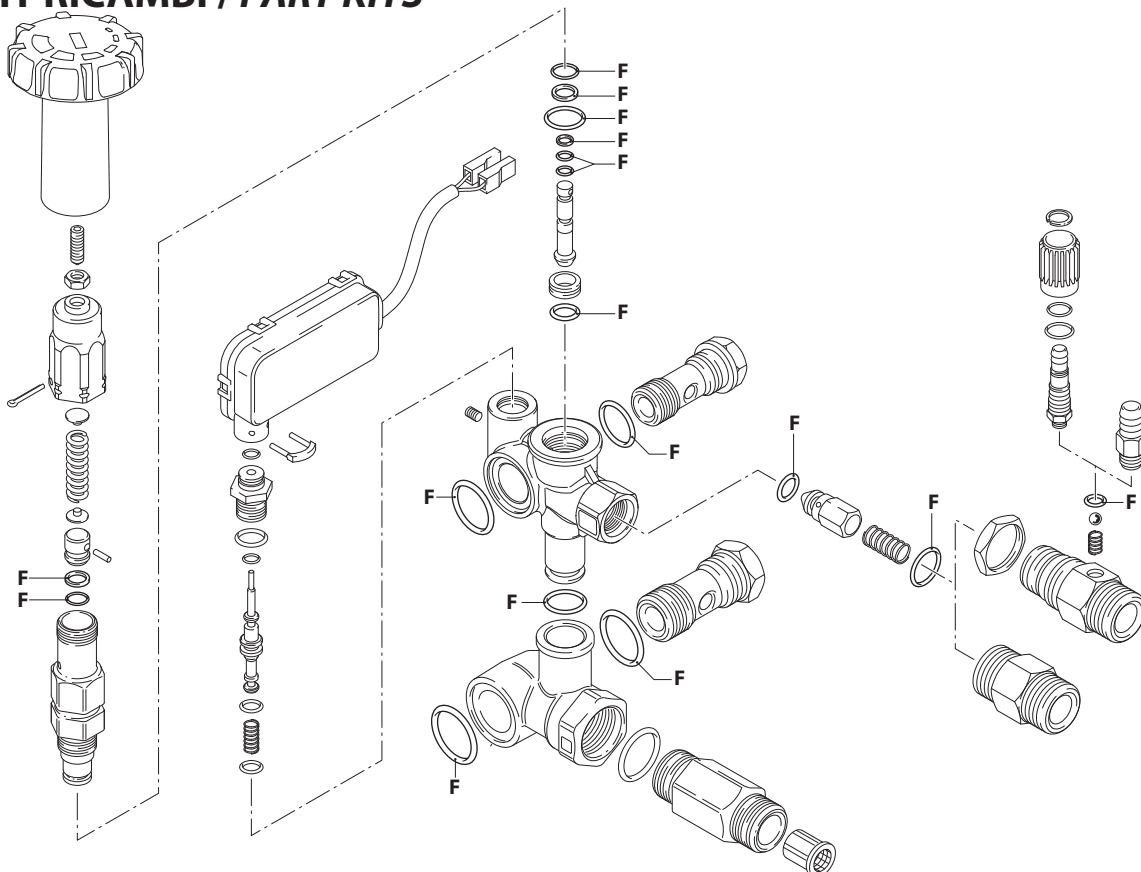


MINIMATIC 4/B TSS

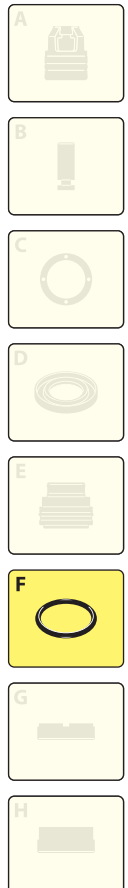


UN002257-JV

KIT RICAMBI / PART KITS



UN002258-JV



MINIMATIC 4/B TSS



Pos.	Cod. Part n°	Denominazione	Description	Q.tà Q.ty	Note Vedi / See
1	2360760	Manopola	Knob	1	
2	392840	Grano M 6x16	Grub screw	1	
3	1980300	Dado M 6	Nut	1	
4	2500540	Inserto manopola	Knob insert	1	
5	1980220	Piattello molla	Spring plate	2	
6	1271070	Molla	Spring	1	
7	1080041	Pistone superiore	Upper piston	1	
8	1080070	Spina	Pin	2	
9	1080401	Anello antiestrusione	Back-up ring	1	
10	1080250	OR ø 7,66x1,78	O-Ring	1	
12	1980210	Guida pistone	Piston guide	1	
13	740290	OR ø 14x1,78	O-Ring	1	
14	800560	OR ø 8,73x1,78	O-Ring	1	
15	880830	OR ø 15,54x2,62	O-Ring	1	
16	1271170	Anello antiestrusione	Back-up ring	1	
17	1080190	OR ø 2,90x1,78	O-Ring	2	
18	1271160	Pistone inferiore	Lower piston	1	
19	2460420	Sede valvola	Valve seat	1	85 Sh-A
20	1080250	OR ø 7,66x1,78	O-Ring	1	85 Sh-A
21	1540272	Vite 3/8" G	Screw	1	Ottone/Brass
22	390080	OR ø 11,91x2,62	O-Ring	2	
23	1540660	Corpo valvola	Valve housing	1	
24	1140450	OR ø 20,24x2,62	O-Ring	1	
25	1460430	OR ø 4x2,5	O-Ring	1	
26	1540170	Otturatore	Jet	1	
27	1080091	Molla sfera	Ball spring	1	
28	394280	OR ø 12,42x1,78	O-Ring	1	
29	1560660	Anello	Ring	1	▲
30	1560680	Manopola reg.det.	Detergent reg. knob	1	▲
31	480560	OR ø 6,75x1,78	O-Ring	1	▲
32	800560	OR ø 8,73x1,78	O-Ring	1	▲
33	1560650	Portagomma	Hose tail	1	▲
34	1560490	Portagomma	Hose tail	1	■
35	480480	OR ø 4,48x1,78	O-Ring	1	■▲
36	1250280	Sfera	Ball	1	■▲
37	1560520	Molla	Spring	1	■▲
38	1540570	Raccordo 3/8" G	Fitting 3/8" G	1	Ø 2 ■▲
	1540580	Raccordo 3/8" G	Fitting 3/8" G	1	Ø 2,3 ■▲
	1540610	Raccordo 3/8" NPT	Fitting 3/8" NPT	1	Ø 2 ■▲
	1540620	Raccordo 3/8" NPT	Fitting 3/8" NPT	1	Ø 2,3 ■▲
39	1540300	Controdado	Nut	1	■▲

Pos.	Cod. Part n°	Denominazione	Description	Q.tà Q.ty	Note Vedi / See
40	1540180	Nipples 3/8" G	Adaptor 3/8" G	1	●
	1540500	Nipples 3/8" NPT	Adaptor 3/8" NPT	1	●
41	1540280	Corpo by-pass 3/8" G	By-pass housing	1	
42	1540630	OR ø 23,47x2,62	O-Ring	1	
44	880270	OR ø 17,17x1,78	O-Ring	1	
45	2260420	Vite 1/2" G	Screw	1	
46	480440	OR ø 17,13x2,62	O-Ring	1	
47	1560600	Raccordo aspirazione	Suction fitting	1	
50	1340260	Filtro aspirazione acqua	Water suction filter	1	
52	1981190	Grano M 3x5	Grub screw	1	
53	1260820	OR ø 1,78x1,78	O-Ring	1	
54	1540881	Pistone TSS	TSS piston	1	Inox
55	1981320	Molla	Spring	1	
56	2022200	Forcella	Clip	1	
57	2029758	Prem. TSS	TSS assembly	1	
58	660191	OR ø 6,07x1,78	O-Ring	1	90Sh-A
59	880840	OR ø 9,25x1,78	O-Ring	1	
60	1540870	Raccordo TSS	TSS fitting	1	
61	1080192	OR ø 2,90x1,78	O-Ring	2	90Sh-A
62	1120681	OR ø 3,39x1,78	O-Ring	1	90Sh-A
63	2500550	Copiglia	Pin	1	

KIT RICAMBI - PART KITS

F=KIT 2812 OR O-Rings							
Pos.	Q.ty	Pos.	Q.ty	Pos.	Q.ty	Pos.	Q.ty
9	1	17	1	35	1		
10	1	20	1	42	1		
13	1	22	2	44	1		
14	1	24	1	62	1		
15	1	25	1				
16	1	28	1				

Pos.	Q.ty	Pos.	Q.ty	Pos.	Q.ty	Pos.	Q.ty

SIMBOLOGIA - SYMBOLS

- Per / For MINIMATIC 4/B TSS
- Per / For MINIMATIC 4/B TSS + ID
- ▲ Per / For MINIMATIC 4/B TSS + IDR

DIMENSIONS / DIMENSIONES / ABMESSUNGEN / DIMENSIONES / DIMENSIONI