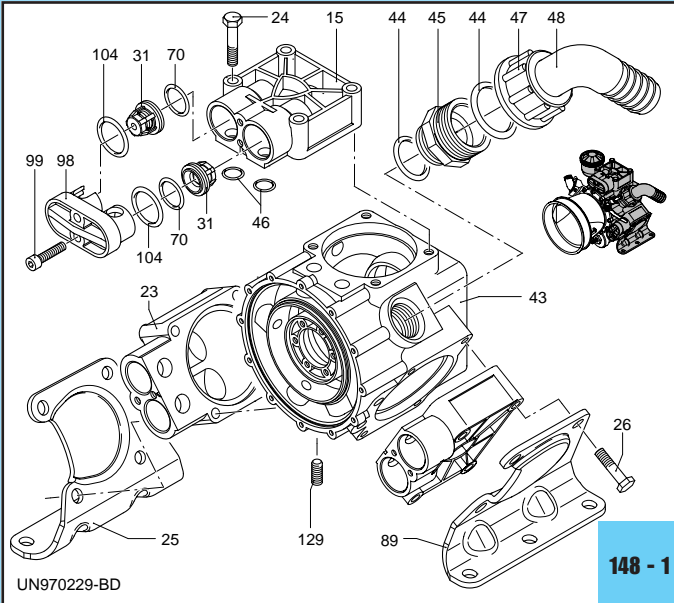
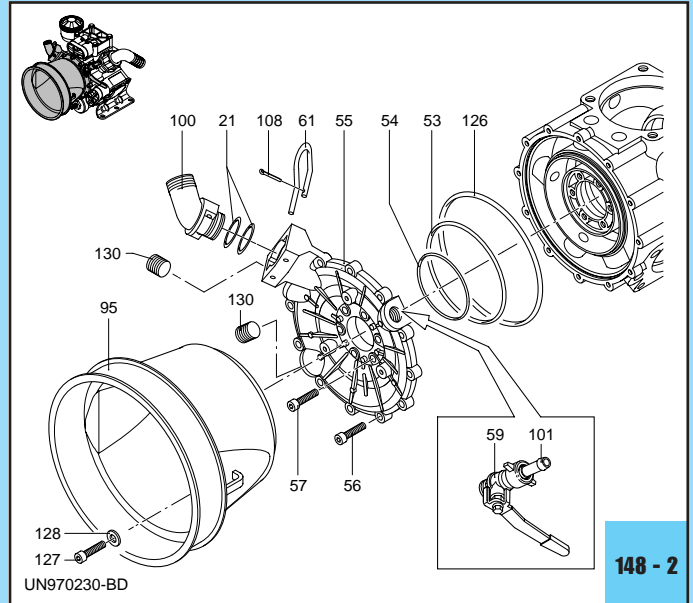


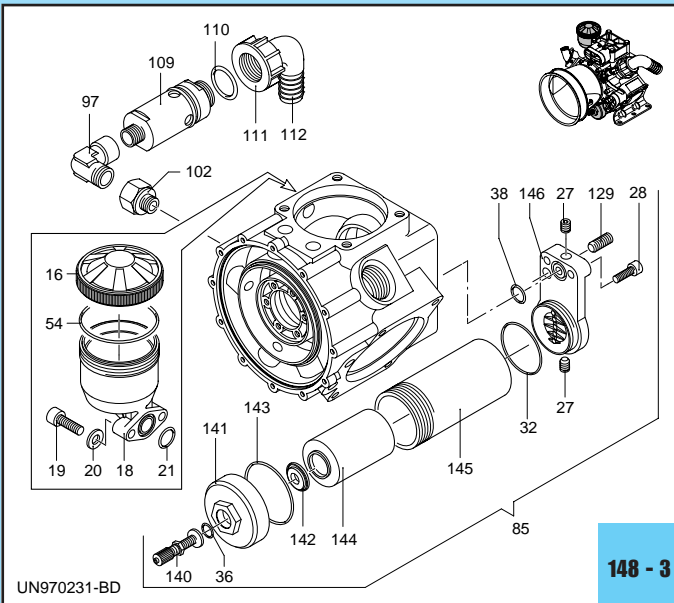
# BH 800 S C/SP - BH 800 S C/C - BH 800 S C/F



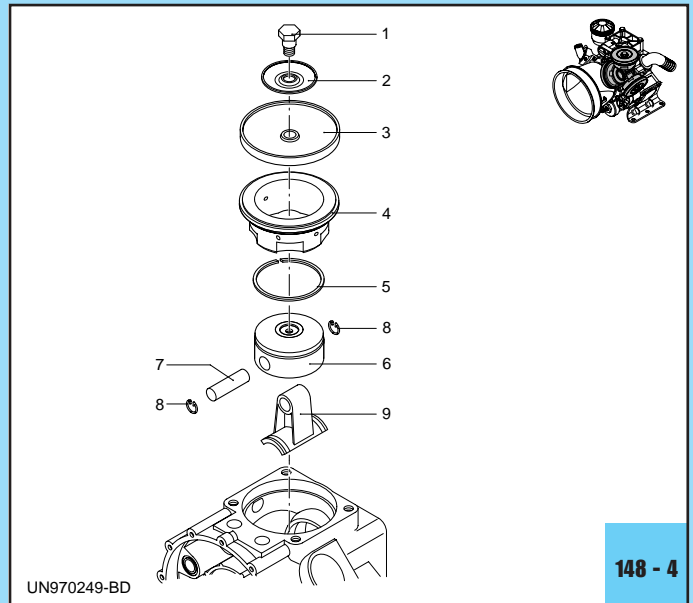
148 - 1



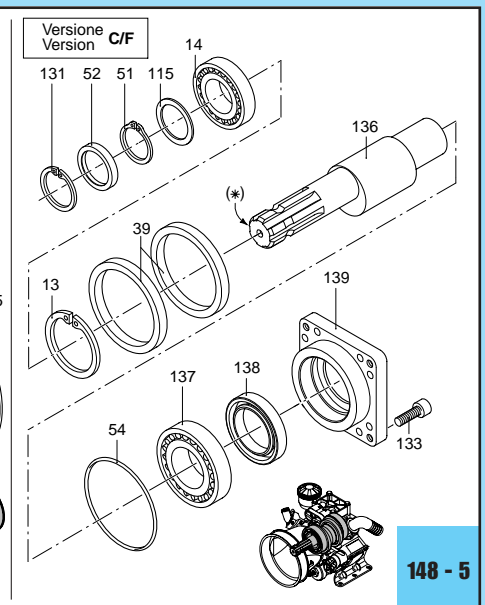
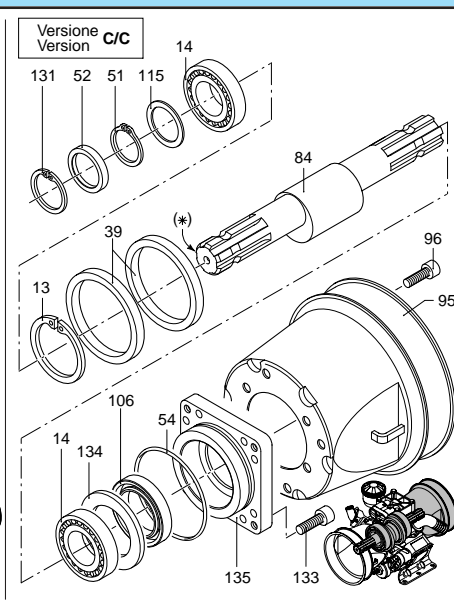
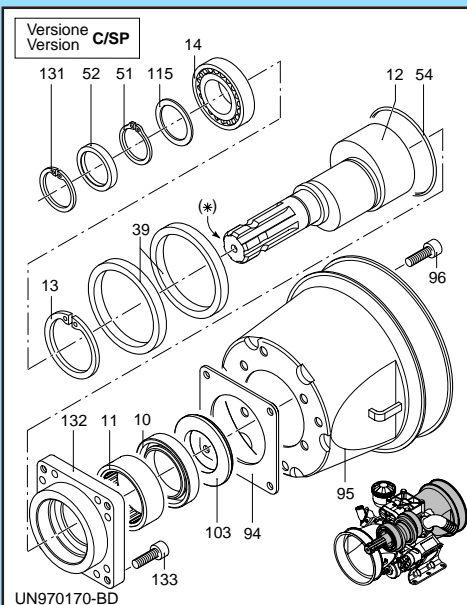
148 - 2



148 - 3



148 - 4



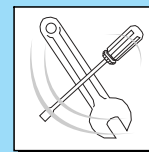
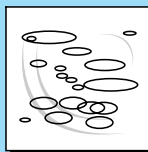
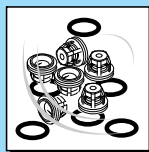
148 - 5

# BH 800 S C/SP - BH 800 S C/C - BH 800 S C/F



Pos.	Cod.	Descrizione	Description	Q.ty	Note
1	580361	Perno membrana	Diaphragm pin	3	
2	1040180	Piastra di richiamo	Plate	3	
3	1040080	Membrana	Diaphragm	3	Desmopan
4	1040081	Membrana	Diaphragm	3	Gomma
4	1500080	Camicia	Sleeve	3	
5	650190	Segmento	Piston ring	3	
6	1040120	Pistone	Piston	3	
7	1040070	Spinotto	Piston pin	3	
8	1040270	Anellino spinotto	Pin ring	6	
9	1800050	Biella	Connecting rod	3	
10	1400150	Anello tenuta	Seal ring	1	
11	650200	Cuscinetto a rullini	Roller bearing	1	
12	1800200	Albero eccentrico "C/SP"	"C/SP" shaft	1	(34)
13	161050	Anello seeger	Circlip	1	
14	161060	Cuscinetto	Bearing	2	
15	1500111	Testa DX	Right head	2	
16	1800060	Tappo serbatoio nero	Black oil tank cap	1	
18	680031	Serbatoio olio	Oil tank	1	
19	680350	Vite TCEI M 8x35	Bolt	2	
20	380241	Rosetta ø 8,5	Washer	2	
21	390180	OR ø 18,72x2,62	O-Ring	3	
23	1500112	Testa SX	Left head	1	
24	1480040	Vite TE M 12x60	Bolt	4	
25	1800440	Piede SX	Left base	1	
26	750060	Vite TE M 12x65	Bolt	8	
27	1040470	Grano M 10x8	Dowel	2	
28	320360	Vite TCEI M 8x22	Bolt	2	
31	1409050	Valvola completa	Complete valve	6	
32	540360	OR ø 44,12x2,62	O-Ring	1	
36	650542	Guarnizione	Gasket	1	
38	640070	OR ø 13,95x2,62	O-Ring	1	
39	1040340	Anello biella	Con rod ring	2	
43	1800140	Corpo pompa	Pump body	1	
44	250310	OR ø 36,14x2,62	O-Ring	2	
45	540530	Niples 1"1/4-1"3/4 G (M)	Threaded adapter	1	
46	770571	OR ø 18,77x1,78	O-Ring	6	Viton
47	540540	Girello 1"3/4 G	Ring nut	1	
48	540550	Curva ø 40	Elbow	1	
51	1040570	Anello seeger	Circlip	1	
52	1040050	Anello tenuta	Seal ring	1	
53	1800161	OR ø 113,97x2,62	O-Ring	1	Viton
54	1040060	OR ø 72,69x2,62	O-Ring	3	
55	1800150	Condotto mandata	Manifold	1	
56	1040370	Vite TCEI M 6x22	Bolt	12	
57	780060	Vite TCEI M 6x25	Bolt	6	
59	130491	Rub. 3/8"-1/2" G (M) DX	Right valve	2	ex 30491

Pos.	Cod.	Descrizione	Description	Q.ty	Note
61	1040690	Forcella	Fork	1	
70	620030	OR ø 25,80x3,53	O-Ring	6	
84	1800180	Albero eccentrico "C/C"	"C/C" shaft	1	(W)
85	1536	Camera aria completa	Complete air chamber	1	
89	1800430	Piede DX	Right base	1	
94	1400140	Flangia anello tenuta	Flange	1	
95	1500350	Protezione cardano	Cardan protection	2	ø 199 mm
95	1500470	Protezione cardano	Cardan protection	2	ø 239 mm
96	820670	Vite TCEI M 10x16	Bolt	4	
97	881560	Gomito 90° 1/2" G (M)-(F)	Elbow	1	
98	1500190	Tappo valvola	Valve cap	3	
99	620610	Vite TCEI M 8x30	Bolt	6	
100	1040760	Attacco 3/4" G	Coupling	1	
101	110131	Racc.1/2"G+tub. ø10	Fitting 1/2" G+hose ø10	2	ex 10131
102	881461	Manic. 3/8"-1/2" G (M)-(F)	Threaded adapter	1	
103	1400110	Centraggio flangia "C/SP"	"C/SP" flange spigot	1	
104	540361	OR ø 33,05x1,78	O-Ring	6	
106	160740	Anello tenuta	Seal ring	1	
108	1040950	Copiglia	Split pin	1	
109	1609002	Valvola di sicurezza	Safety valve	1	
110	880831	OR ø 15,54x2,62	O-Ring	1	Viton
111	550450	Girello 3/4" G	Ring nut	1	
112	550460	Curva ø 18	Elbow	1	
115	1040850	Anello	Ring	1	
126	1400120	OR ø 145,72x2,62	O-Ring	1	
127	1343510	Vite TCEI M 6x14	Bolt	3	
128	881710	Rosetta ø 6	Washer	3	
129	1040260	Grano M 10x25	Dowel	2	
130	1800240	Grano 3/8" G	Dowel	2	
131	1460490	Anello seeger	Circlip	1	
132	1800210	Flangia albero "C/SP"	Flange "C/SP" version	1	
133	180030	Vite TCEI M 8x20	Bolt	8	
134	1800230	Distanziale	Spacer	1	
135	1800220	Flangia albero "C/C"	Flange "C/C" version	1	
136	1800190	Albero eccentrico "C/F"	"C/F" shaft	1	(Q)
137	230310	Cuscinetto	Bearing	1	
138	200150	Anello tenuta "C/F"	Seal ring "C/F"	1	
139	1800120	Flangia albero "C/F"	Flange "C/F" version	1	
140	1800350	Valvola di gonfiaggio	Air valve	1	
141	1800270	Coperchio camera aria	Air chamber cover	1	
142	1800311	Disco	Plate	1	
143	650560	OR ø 56,82x2,62	O-Ring	1	
144	1800300	Semicamera aria	Semi air chamber	1	
145	1800280	Tubo camera aria	Air chamber tube	1	
146	1800290	Attacco camera aria	Air chamber connector	1	



KIT 1952 Membrane gomma Buna diaphragms	
Pos.	Q.ty
3	3

KIT 1963 Valvole Valves	
Pos.	Q.ty
31	6
70	6

KIT 2376 OR O-Rings			
Pos.	Q.ty	Pos.	Q.ty
21	3	143	1
32	1		
38	1		
44	2		
46	6		
53	1		
54	3		
70	6		
104	6		
110	1		
126	1		

KIT 2377 Pronto intervento Maintenance repair					
Pos.	Q.ty	Pos.	Q.ty	Pos.	Q.ty
1	3	46	6	126	1
3	3	47	1		
10	1	48	1		
16	1	52	1		
18	1	53	1		
21	3	54	3		
31	6	61	1		
32	1	70	6		
36	1	104	6		
38	1	106	1		
44	2	108	1		