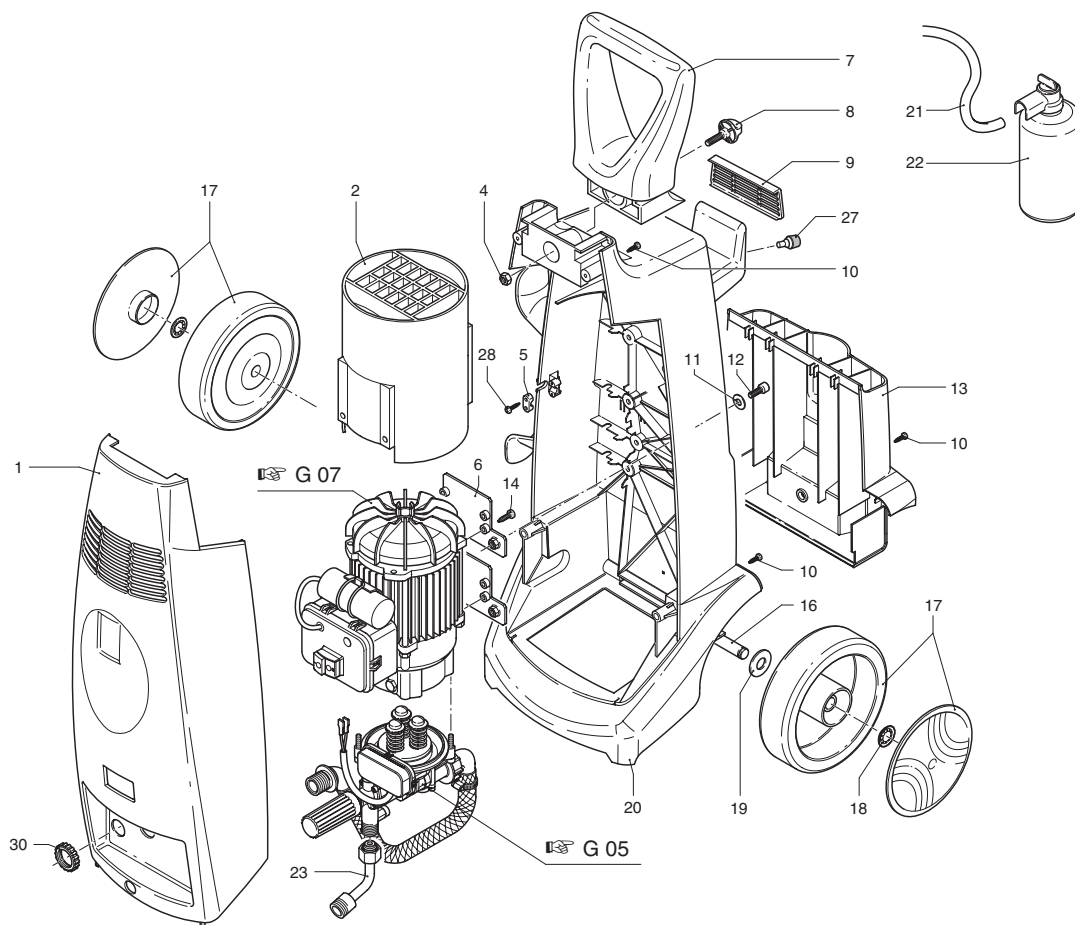


EXTREME SUPERJET



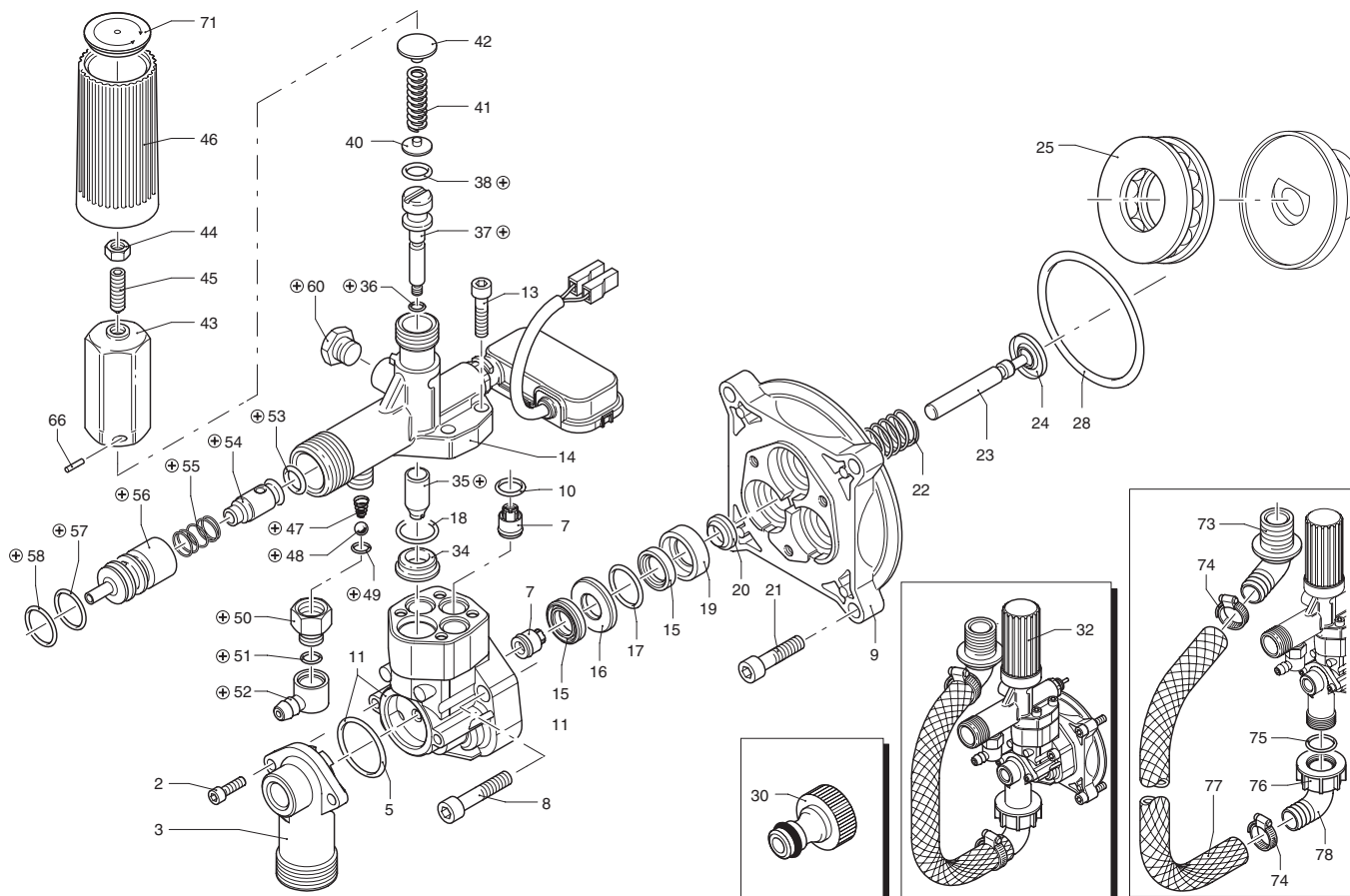
UN002332-LA

Pos.	Cod. Part n°	Denominazione	Description	Q.tà Q.ty	Note Vedi / See
1	2180420	Cofano giallo	Yellow casing	1	●
	2180421	Cofano blu	Blue casing	1	□
2	1460340	Convogliatore	Conveyor	1	
4	390440	Dado M 6	Nut	1	
5	1263020	Ponte serraggio	Cable clip	1	
6	2320250	Piastra fissaggio	Fixing plate	2	
7	2180040	Manico	Handle	1	
8	2180060	Galletto	Butterfly nut	1	
9	2180090	Griglia posteriore	Rear cover	1	
10	1261560	Vite autof. 3,9x16	Screw	7	
11	2180300	Rondella ø16,2xø15x3	Washer	6	
12	1343510	Vite TCEI M 6x14	Screw	4	
13	2180050	Portaccessori	Accessories carrier	1	
14	2320310	Vite autof.M 5x20	Screw	4	
16	2180080	Assale ruote	Wheels axle	1	
17	2180140	Ruota ø175+copri ruota	Driven gear	2	
18	1680880	Rondella	Washer	2	
19	1680890	Rondella ø12,5x48x2,5	Washer	2	
20	2180360	Corpo principale	Body	1	
21	1270960	Tubo detergente cristallo	Detergent hose	1	
22	40008	Serbatoio detergente	Detergent tank	1	
23	2320260	Raccordo M 22	Fitting	1	
27	2180330	Gommino	Rubber feet	2	
28	2000110	Vite autof. 3,5x16	Screw	2	
30	2180740	Ghiera	Ring nut	1	

SIMBOLOGIA - SYMBOLS

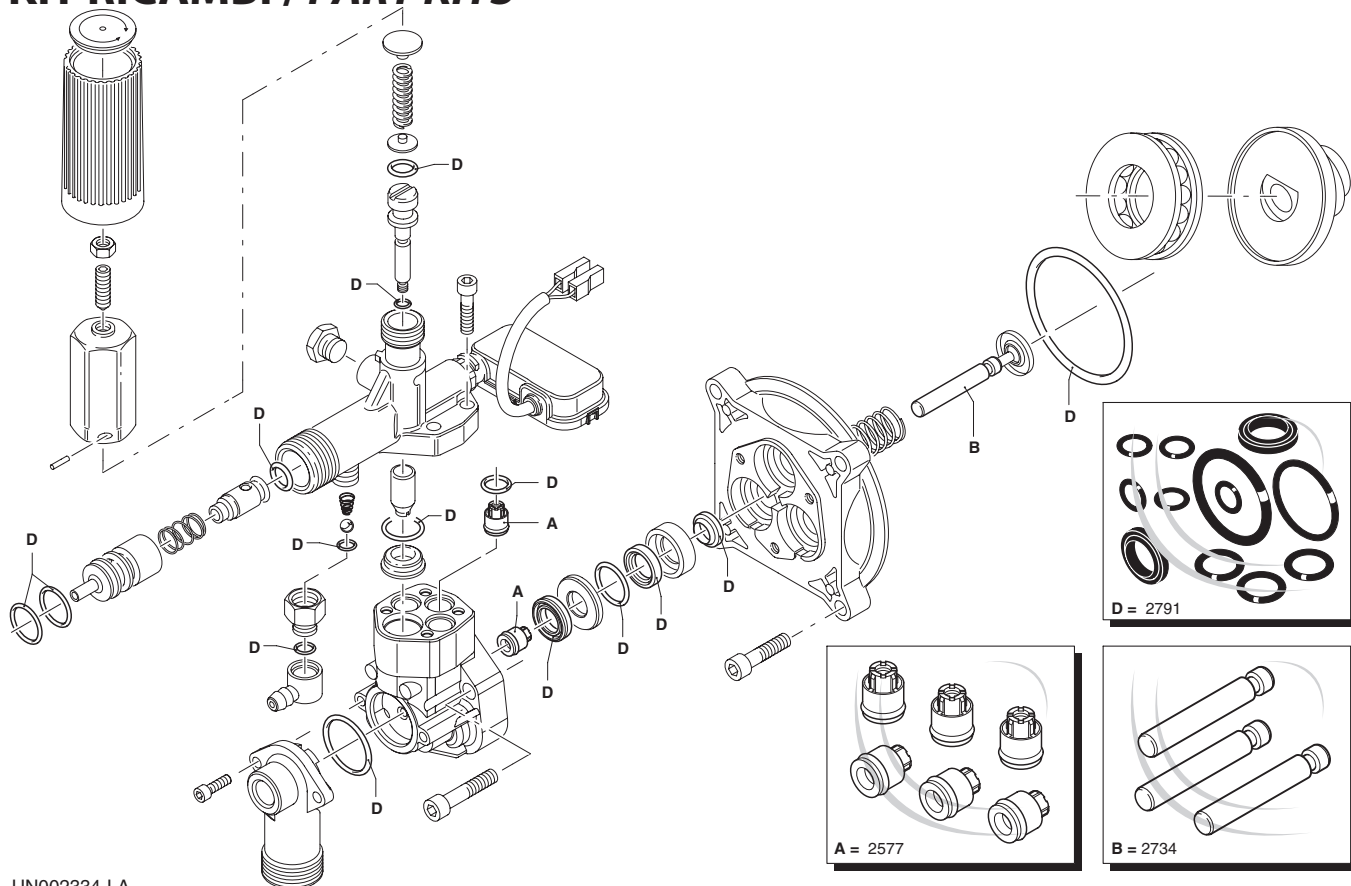
● 150 TSS/REG

□ 150 TSS/REG BLU



UN002333-LA

KIT RICAMBI / PART KITS



UN002334-LA



Pos.	Cod. Part n°	Denominazione	Description	Q.tà Q.ty	Note Vedi / See
2	2101000	Vite TCEI M4x15	Screw	2	Autoformante
3	2100610	Raccordo aspirazione	Suction fitting	1	
5	550350	OR ø 23,81x2,62	O-Ring	1	
7	2109051	Valvola completa	Complete valve	6	
8	850850	Vite TCEI M 6x30	Screw	3	
9	2020120	Guida pistone ø 12	Piston guide	1	
10	880840	OR ø 9,25x1,78	O-Ring	3	
11	2123	Testa pompa + OR	Pump head + O-Ring	1	
13	1260760	Vite TCEI M5x20	Screw	4	Autoformante
14	2240	Kit racc. mandata + TSS	Outlet fitting + TSS kit	1	
15	2200140	Guarn. 12x20	Gasket	6	
16	2320080	Anello app. guarn. ø 12	Support ring	3	
17	770590	OR ø 21,95x1,78	O-Ring	3	
18	394280	OR ø 12,42x1,78	O-Ring	1	
19	2320070	Boccola ø 12	Bushing	3	
20	1683500	Anello tenuta	Seal	3	
21	2200210	Vite M 6x25	Screw	4	Autoformante
22	2020150	Molla	Spring	3	
23	2020130	Pistone ø 12	Piston	3	
24	2020140	Piattello portamolla	Spring plate	3	
25	2021570	Cuscinetto	Bearing	1	
28	1680680	OR ø 95x2	O-Ring	1	
30	1470830	Innesto raccordo+filtro	Attachment for tap+strainer	1	3/4"G(F)
32	2329409	Prem. pompa	Pump assembly	1	
34	2020481	Sede valvola	Valve seat	1	
35	1460150	Pistone inferiore	Lower piston	1	
36	1080190	OR ø 2,90x1,78	O-Ring	1	
37	1460140	Pistone superiore	Upper piston	1	
38	600180	OR ø 7,66x1,78	O-Ring	1	
40	1343450	Piattello molla	Spring plate	1	
41	1460190	Molla	Spring	1	
42	1343000	Piattello molla	Spring plate	1	
43	1980390	Inserito manopola	Knob insert	1	
44	1060120	Dado M 6	Nut	1	
45	392840	Grano M 6x16	Grub screw	1	
46	1981780	Manopola	Knob	1	
47	1250270	Molla valvola	Spring	1	
48	1250280	Sfera	Ball	1	
49	480480	OR ø 4,48x1,78	O-Ring	1	
50	2320210	Raccordo	Fitting	1	
51	480560	OR ø 6,75x1,78	O-Ring	1	
52	2320180	Portagomma	Hose tail	1	
53	1460430	OR ø 4x2,5	O-Ring	1	
54	1460260	Pistone	Piston	1	

Pos.	Cod. Part n°	Denominazione	Description	Q.tà Q.ty	Note Vedi / See
55	1540140	Molla	Spring	1	
56	2021540	Iniettore detergente	Detergent injector	1	
57	820510	OR ø 10,82x1,78	O-Ring	1	
58	1465720	OR ø 9,75x1,78	O-Ring	1	
60	620301	Tappo 1/8" G	Plug	1	
66	1080070	Spina	Pin	1	
71	1981770	Tappo manopola	Knob plug	1	
73	2180720	Raccordo 3/4" G	Fitting	1	
74	1140690	Fascetta	Clamp	2	
75	2000520	OR ø 18x3	O-Ring	1	
76	550450	Girello 3/4" G	Ring nut	1	
77	2180730	Tube	Hose	1	
78	550460	Curva ø 18	Elbow	1	

KIT RICAMBI - PART KITS

A=KIT 2577 valvole valves		B=KIT 2734 pistoni pistons					
Pos.	Q.ty	Pos.	Q.ty	Pos.	Q.ty	Pos.	Q.ty
7	6	23	3				

D=KIT 2791 tenute gaskets							
Pos.	Q.ty	Pos.	Q.ty	Pos.	Q.ty	Pos.	Q.ty
5	1	28	1	57	1		
10	3	36	1	58	1		
15	6	38	1				
17	3	49	1				
18	1	51	1				
20	3	53	1				

SIMBOLOGIA - SYMBOLS

⊕ Compreso nel Premontaggio pompa cod. 2329409
Part of Pump assembly part n° 2329409

