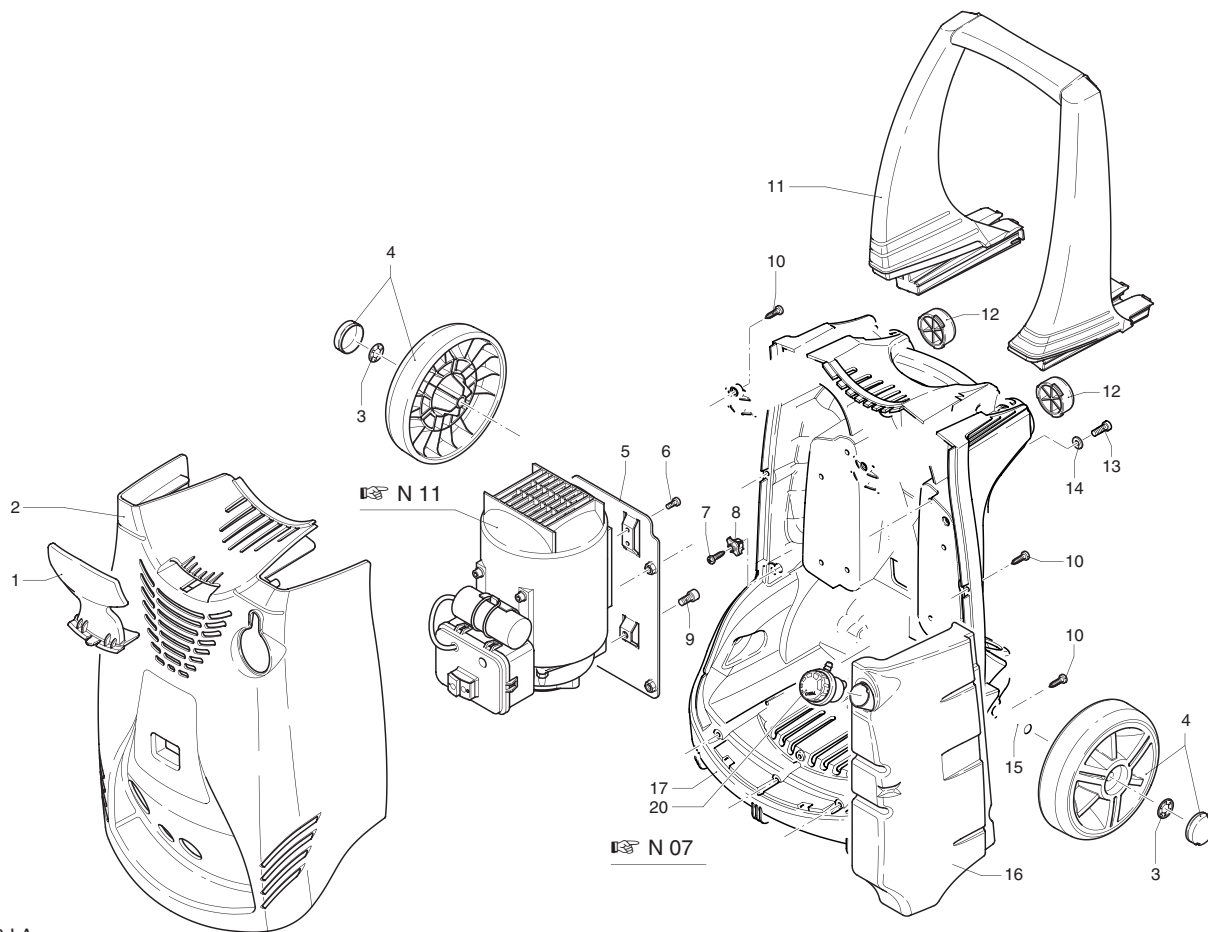


PROLINER Z

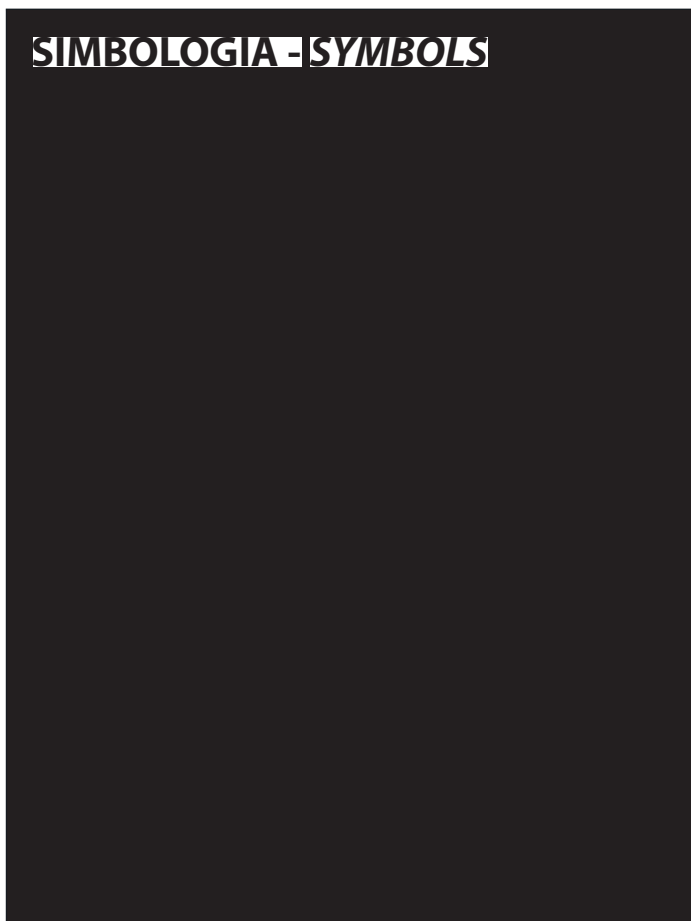
8.150 TSS
9.160 TSS
10.140 TSS

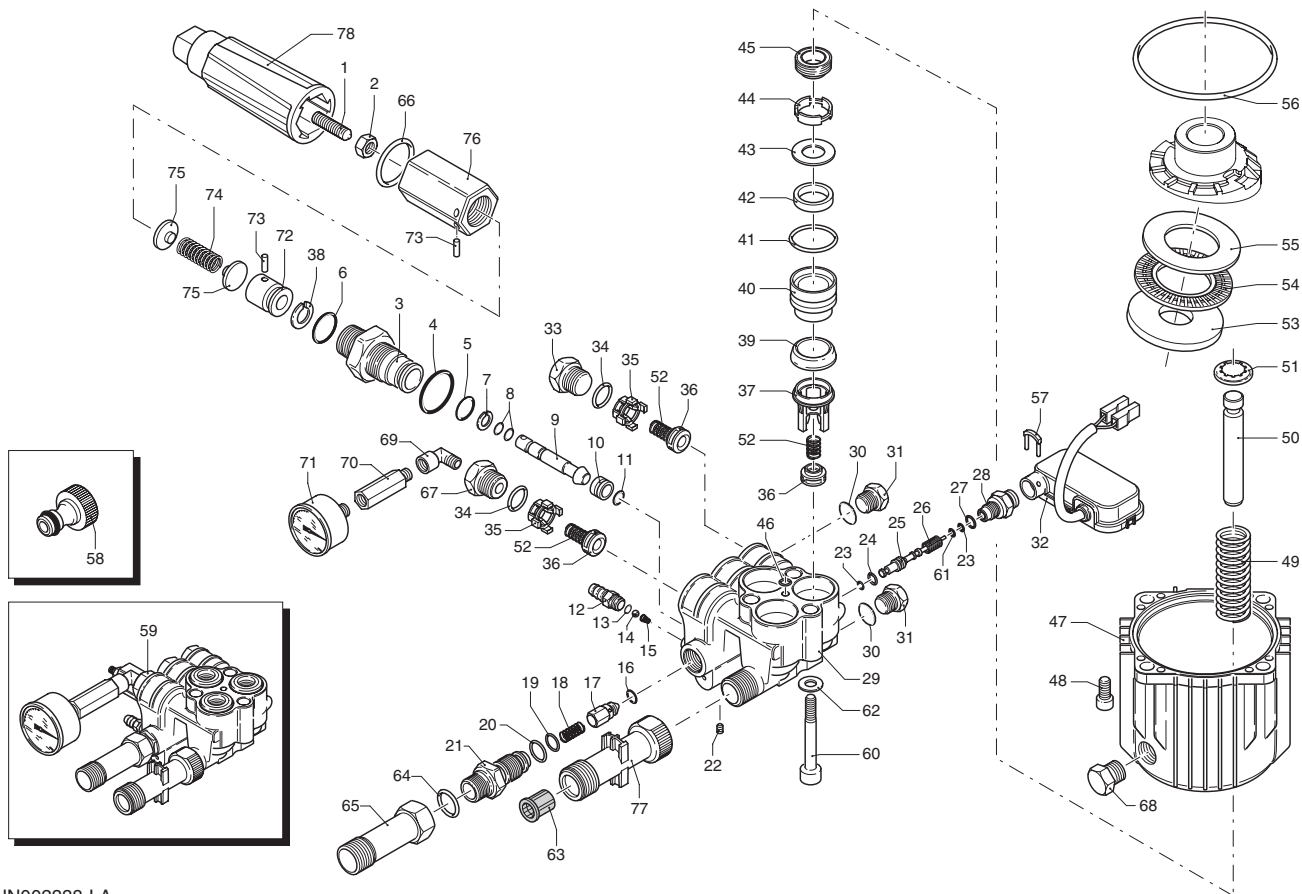


UN002336-LA

| | | | | |
|----|---------|---------------------------|-------------------------|---|
| 1 | 2500050 | Gancio | Hook | 1 |
| 2 | 2500030 | Cofano blu | Blue casing | 1 |
| 3 | 1680880 | Rondella | Washer | 2 |
| 4 | 2500320 | Ruota ø 175 + tappo | Driven gear | 2 |
| 5 | 2500090 | Piastra fissaggio | Fixing plate | 1 |
| 6 | 2320190 | Vite autof. TC M 5x15 | Screw | 2 |
| 7 | 2100300 | Vite autof. 5x16 | Screw | 1 |
| 8 | 2600100 | Pressacavo | Gland | 1 |
| 9 | 850370 | Vite TCEI M 8x16 | Screw | 2 |
| 10 | 2100300 | Vite autof. 5x16 | Screw | 7 |
| 11 | 2500020 | Manico | Handle | 1 |
| 12 | 2500130 | Gommino | Rubber feet | 2 |
| 13 | 880280 | Vite TCEI M 6x18 | Screw | 4 |
| 14 | 2180300 | Rondella ø 6,2 | Washer | 4 |
| 15 | 2500120 | Assale ruote | Wheels axle | 1 |
| 16 | 2509001 | Prem. serbatoio deterg. | Detergent tank assembly | 1 |
| 17 | 2500010 | Corpo principale | Body | 1 |
| 18 | 1270960 | Tubo detergente cristallo | Detergent hose | 1 |
| 19 | 2500310 | Pomello regolazione | Knob | 1 |
| 20 | 42126 | Tappo serbatoio completo | Compl. detergent plug | 1 |

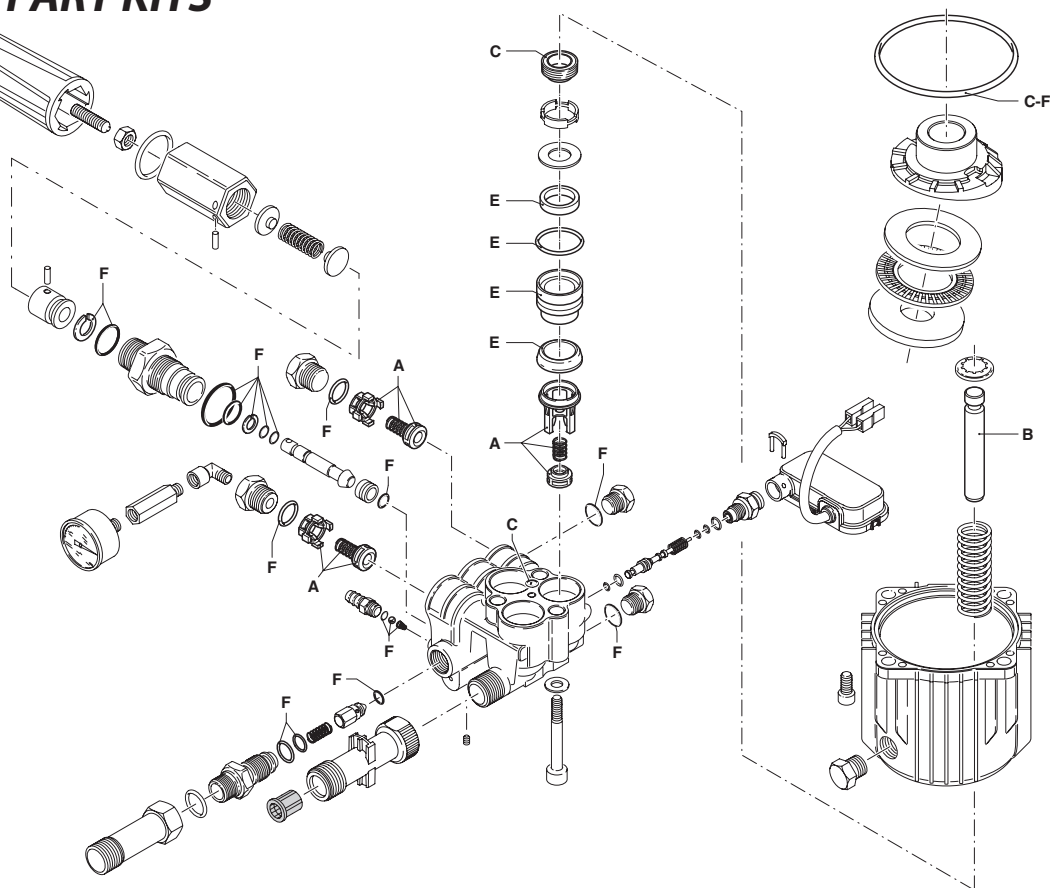
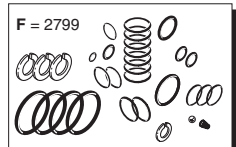
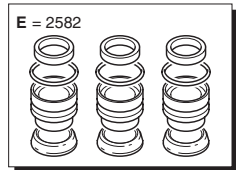
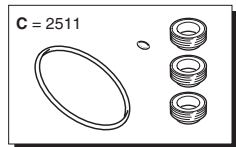
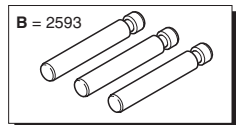
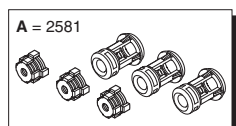
SIMBOLOGIA - SYMBOLS





UN002338-LA

KIT RICAMBI / PART KITS



UN002339-LA



| Pos. | Cod. Part n° | Denominazione | Description | Q.tà Q.ty | Note Vedi / See |
|------|--------------|-----------------------|----------------------|-----------|-----------------|
| 1 | 1980470 | Grano M 6x20 | Grub screw | 1 | |
| 2 | 1980300 | Dado M 6 | Nut | 1 | |
| 3 | 1980210 | Guida pistone | Piston guide | 1 | |
| 4 | 740290 | OR ø 14x1,78 | O-Ring | 1 | |
| 5 | 800560 | OR ø 8,73x1,78 | O-Ring | 1 | |
| 6 | 1080250 | OR ø 7,66x1,78 | O-Ring | 1 | |
| 7 | 1271170 | Anello antiestrusione | Back-up ring | 1 | |
| 8 | 1080190 | OR ø 2,90x1,78 | O-Ring | 2 | |
| 9 | 1271160 | Pistone inferiore | Lower piston | 1 | |
| 10 | 1980200 | Sede valvola | Valve seat | 1 | |
| 11 | 1470210 | OR ø 9x1 | O-Ring | 1 | |
| 12 | 1982520 | Portagomma | Hose tail | 1 | |
| 13 | 480480 | OR ø 4,48x1,78 | O-Ring | 1 | |
| 14 | 1250280 | Sfera inox | Stainless steel ball | 1 | |
| 15 | 1560520 | Molla | Spring | 1 | |
| 16 | 1460430 | OR ø 4x2,5 | O-Ring | 1 | |
| 17 | 1540170 | Otturatore | Jet | 1 | |
| 18 | 1080091 | Molla sfera | Ball spring | 1 | |
| 19 | 394280 | OR ø 12,42x1,78 | O-Ring | 1 | |
| 20 | 1200690 | OR ø 15,6x1,78 | O-Ring | 1 | |
| 21 | 1270091 | Iniettore detergente | Detergent injector | 1 | M 22x1,5 |
| 22 | 1981190 | Grano M3x5 | Grub screw | 1 | |
| 23 | 1080190 | OR ø 2,90x1,78 | O-Ring | 2 | |
| 24 | 660190 | OR ø 6,07x1,78 | O-Ring | 1 | |
| 25 | 1982990 | Pistone TSS | TSS piston | 1 | |
| 26 | 1981320 | Molla | Spring | 1 | |
| 27 | 880840 | OR ø 9,25x1,78 | O-Ring | 1 | |
| 28 | 1983360 | Raccordo TSS | TSS fitting | 1 | |
| 29 | 1982170 | Testa pompa | Pump head | 1 | |
| 30 | 820510 | OR ø 10,82x1,78 | O-Ring | 2 | |
| 31 | 880581 | Tappo 1/4" G | Plug | 2 | |
| 32 | 2029752 | Prem. TSS | TSS assembly | 1 | |
| 33 | 1260162 | Tappo valvola | Valve plug | 2 | |
| 34 | 960160 | OR ø 17,86x2,62 | O-Ring | 3 | |
| 35 | 1981460 | Gabbia valvola | Valve cage | 3 | |
| 36 | 880240 | Valvola | Valve | 6 | |
| 37 | 1981450 | Gabbia valvola | Valve cage | 3 | |
| 38 | 1080401 | Anello antiestrusione | Back-up ring | 1 | |
| 39 | 2460180 | Guarnizione | Gasket | 3 | |
| 40 | 1981470 | Guida pistone ø15 | Piston guide | 3 | |
| 41 | 770130 | OR ø 20,35x1,78 | O-Ring | 3 | |
| 42 | 1260440 | Guarnizione C1 | C1 gasket | 3 | |
| 43 | 1980170 | Anello | Ring | 3 | |
| 44 | 1980430 | Distanziale | Spacer | 3 | |

| Pos. | Cod. Part n° | Denominazione | Description | Q.tà Q.ty | Note Vedi / See |
|------|--------------|--------------------------|---------------------------|-----------|-----------------|
| 45 | 1980410 | Anello tenuta | Seal ring | 3 | |
| 46 | 770090 | OR ø 5,28x1,78 | O-Ring | 1 | |
| 47 | 1980460 | Corpo pompa | Pump housing | 1 | |
| 48 | 180030 | Vite TCEI M 8x20 | Screw | 4 | |
| 49 | 1981140 | Molla | Spring | 3 | |
| 50 | 1981440 | Pistone | Piston | 3 | |
| 51 | 1980150 | Anello per molla | Ring | 3 | |
| 52 | 1322230 | Molla valvola | Valve spring | 6 | |
| 53 | 1980130 | Ralla | Thrust bearing | 1 | |
| 54 | 1980250 | Gabbia assiale | Bearing | 1 | |
| 55 | 1980240 | Ralla | Thrust bearing | 1 | |
| 56 | 1980340 | OR ø 83,8x2,62 | O-Ring | 1 | |
| 57 | 2022200 | Forcella | Clip | 1 | |
| 58 | 1461470 | Innesto raccordo+guarn. | Attachment for tap+gasket | 1 | 3/4" G(F) |
| 59 | 1989265 | Prem. testa pompa | Pump haed assembly | 1 | ● |
| 60 | 1989264 | Prem. testa pompa | Pump haed assembly | 1 | □ ▲ |
| 61 | 1980310 | Vite TCEI M 10x65 | Screw | 3 | |
| 62 | 1260820 | OR ø 1,78x1,78 | O-Ring | 1 | |
| 63 | 650530 | Rondella zigrinata | Knurled washer | 3 | |
| 64 | 1340260 | Filtro aspirazione acqua | Water suction filter | 1 | |
| 65 | 390180 | OR ø 18,72x2,62 | O-Ring | 1 | |
| 66 | 2440210 | Prolunga | Extension | 1 | |
| 67 | 1150640 | OR ø 17x3,5 | O-Ring | 1 | |
| 68 | 1260161 | Tappo valvola | Valve plug | 1 | |
| 69 | 1980290 | Tappo | Plug | 1 | |
| 70 | 1465850 | Curva 90° 1/8" G (M)-(F) | Elbow | 1 | |
| 71 | 2500140 | Prolunga | Extension | 1 | |
| 72 | 3233 | Manometro ø 40 | Pressure gauge | 1 | ● |
| 73 | 3230 | Manometro ø 40 | Pressure gauge | 1 | □ ▲ |
| 74 | 1080041 | Pistone superiore | Upper piston | 1 | |
| 75 | 1080070 | Spina | Pin | 2 | |
| 76 | 1271070 | Molla | Spring | 1 | |
| 77 | 1980220 | Piattello molla | Spring plate | 2 | |
| 78 | 1980390 | Manopola | Knob | 1 | |
| 79 | 2500270 | Prolunga | Extension | 1 | |
| 80 | 2500080 | Prolunga manopola | Knob extension | 1 | |

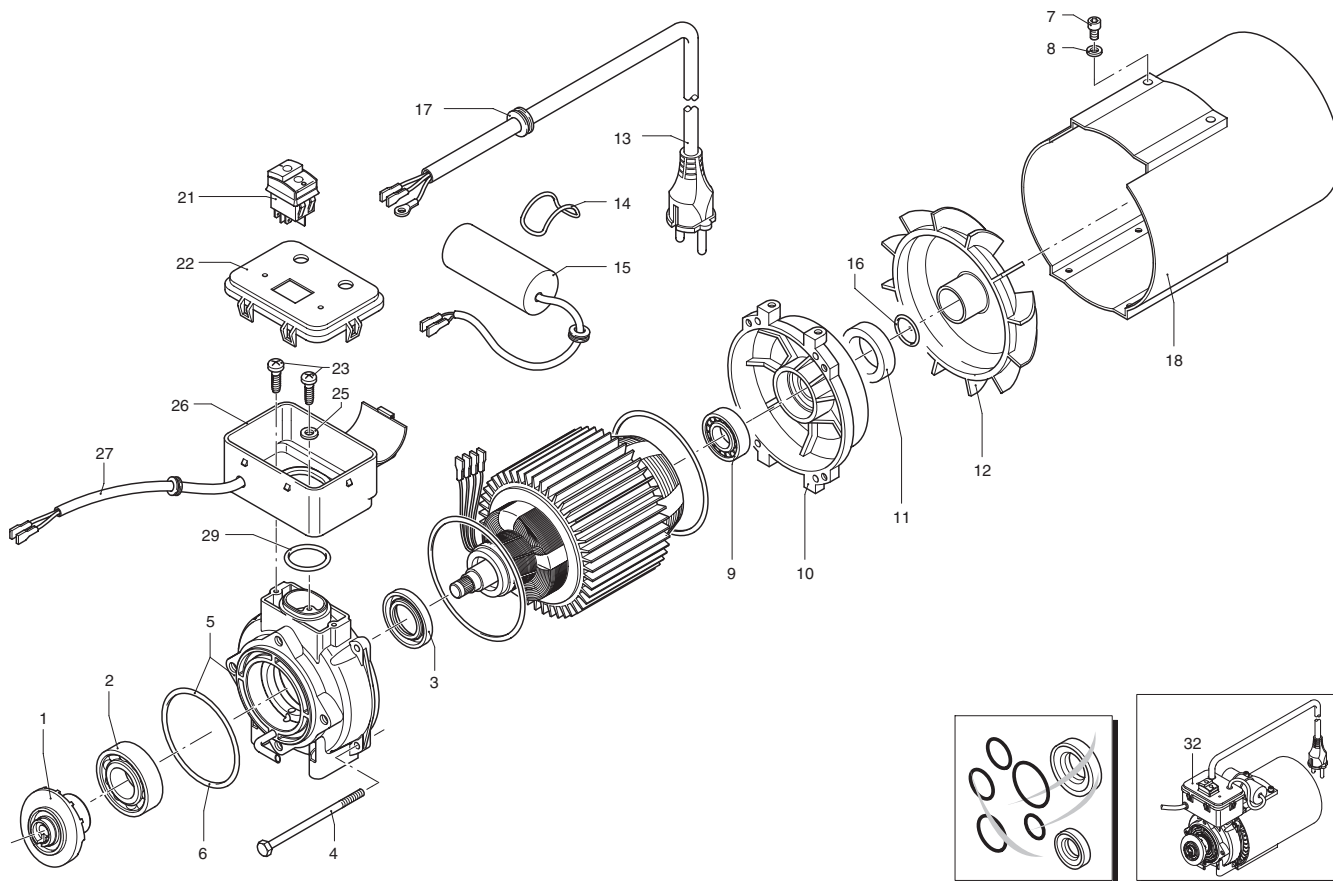
KIT RICAMBI - PART KITS

| A=KIT 2581 valvole valves | | B=KIT 2593 pistoni pistons | | C=KIT 2511 tenute olio oil seals | | E=KIT 2582 tenute acqua water seals | |
|---------------------------------|------|----------------------------------|------|--|------|---|------|
| Pos. | Q.ty | Pos. | Q.ty | Pos. | Q.ty | Pos. | Q.ty |
| 35 | 3 | 50 | 3 | 45 | 3 | 39 | 3 |
| 36 | 6 | | | 46 | 1 | 40 | 3 |
| 37 | 3 | | | 56 | 1 | 41 | 3 |
| 52 | 6 | | | | | 42 | 3 |

| F=KIT 2799 OR O-Rings | | | | | | | |
|-----------------------------|------|------|------|------|------|------|------|
| Pos. | Q.ty | Pos. | Q.ty | Pos. | Q.ty | Pos. | Q.ty |
| 4 | 1 | 13 | 1 | 30 | 2 | | |
| 5 | 1 | 14 | 1 | 34 | 3 | | |
| 6 | 1 | 15 | 1 | 38 | 1 | | |
| 7 | 1 | 16 | 1 | 56 | 1 | | |
| 8 | 2 | 19 | 1 | | | | |
| 11 | 1 | 20 | 1 | | | | |

SIMBOLOGIA - SYMBOLS

- 8.150 TSS
- 9.160 TSS
- ▲ 10.140 TSS



UN002340-LA

| Pos. | Cod. Part n° | Denominazione | Description | Q.tà Q.ty | Note Vedi / See |
|------|--------------|---------------------------|------------------|-----------|-----------------|
| 1 | 1983110 | Piattello oscillante | Wobble plate | 1 | ● □ |
| | 1983250 | Piattello oscillante | Wobble plate | 1 | ▲ |
| 2 | 1981210 | Cuscinetto | Bearing | 1 | |
| 3 | 1260750 | Anello tenuta | Seal ring | 1 | |
| 4 | 2320090 | Vite TE M 5x110 | Screw | 4 | ● |
| | 2320830 | Vite TE M 5x130 | Screw | 4 | □ ▲ |
| 5 | 1982040 | Flangia pompa | Flange | 1 | |
| 6 | 1980340 | OR ø 83,8x2,62 | O-Ring | 1 | |
| 7 | 1460460 | Vite TC M 5x16 | Screw | 2 | |
| 8 | 1680960 | Rondella ø 5,5 | Washer | 2 | |
| 9 | 1460590 | Cuscinetto | Bearing | 1 | |
| 10 | 1460040 | Scudo motore | Motor shield | 1 | |
| 11 | 1461200 | Anello tenuta | Seal ring | 1 | |
| 12 | 1460370 | Ventola | Fan | 1 | |
| 13 | 1760450 | Cavo | Cable | 1 | |
| 15 | 2100840 | OR ø 56,82x2,62 | O-Ring | 1 | |
| | 1982590 | Condensatore 45 µF | Capacitor 45 µF | 1 | ● |
| 16 | 1982190 | Condensatore 40 µF | Capacitor 40 µF | 1 | □ ▲ |
| | 394280 | OR ø 12,42x1,78 | O-Ring | 1 | |
| 17 | 2021480 | Passacavo | Gland | 1 | |
| 18 | 1460340 | Convogliatore | Conveyor | 1 | |
| 21 | 2320280 | Interruttore 8A | Switch 8A | 1 | |
| 22 | 2320270 | Coperchio scatola interr. | Switch box cover | 1 | |
| 23 | 2020570 | Vite autof. M 4x12 | Screw | 3 | |
| 25 | 1262400 | Rosetta ø 4 | Washer | 1 | |
| 26 | 2320131 | Scatola interruttore | Switch box | 1 | |
| 27 | 2020630 | Conduttore connessione | Wiring cable | 1 | TSS |
| 29 | 660170 | OR ø 31,42x2,62 | O-Ring | 1 | |
| 32 | 4601 | Motore elettrico | Electric motor | 1 | ● ① |
| | 4704 | Motore elettrico | Electric motor | 1 | □ ① |
| | 4816 | Motore elettrico | Electric motor | 1 | ▲ ① |

| Pos. | Cod. Part n° | Denominazione | Description | Q.tà Q.ty | Note Vedi / See |
|------|--------------|---------------|-------------|-----------|-----------------|
| | | | | | |

SIMBOLOGIA - SYMBOLS

- 8.150 TSS
- 9.160 TSS
- ▲ 10.140 TSS
- ① 230 V/50Hz - Schuko