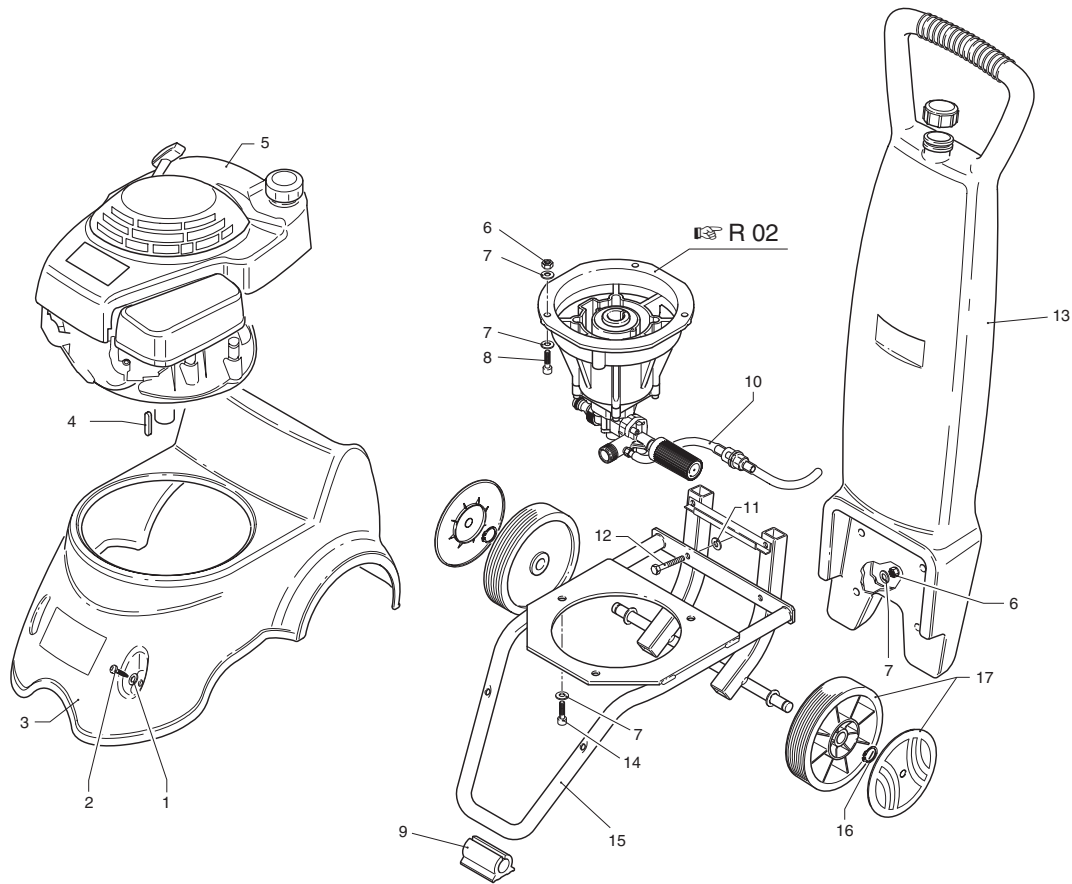


TOP WASH S



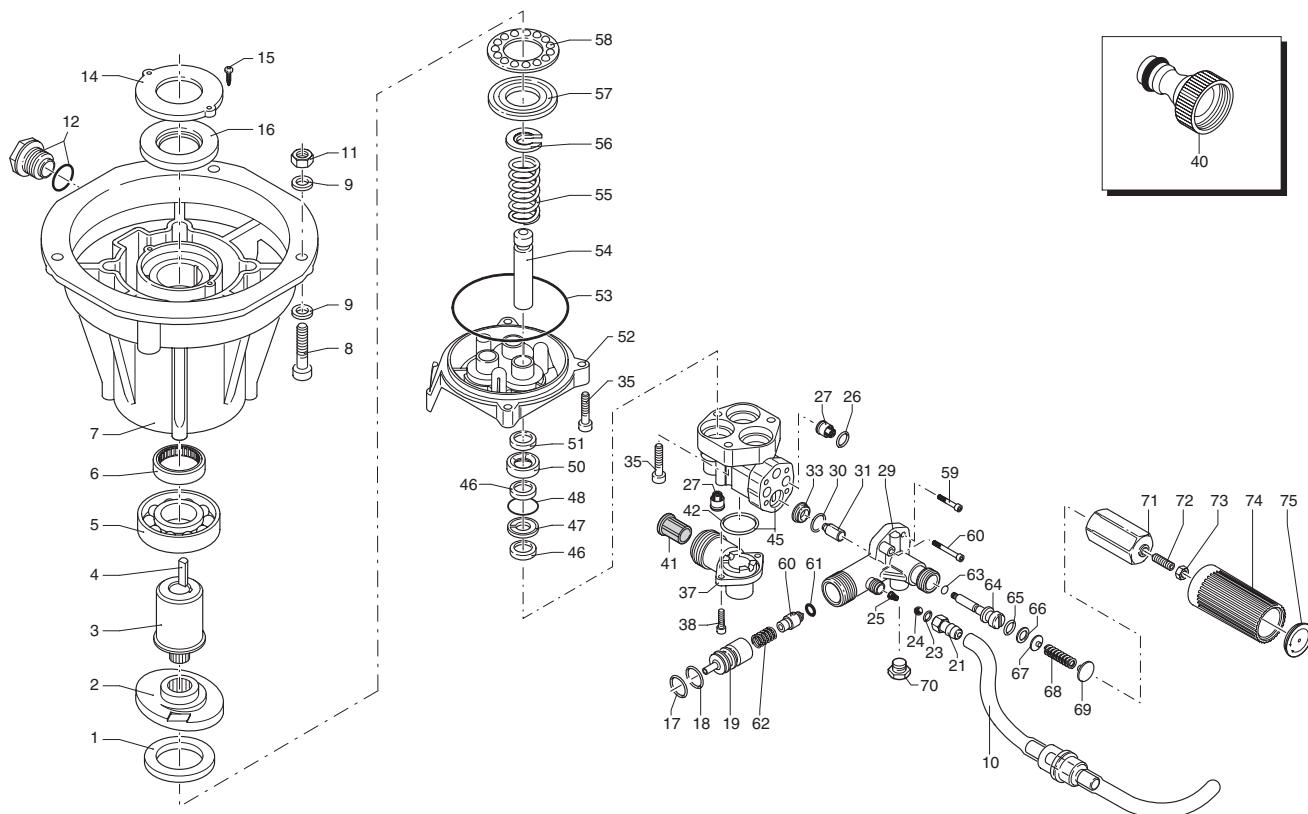
UN002281-LA

Pos.	Cod. Part n°	Denominazione	Description	Q.tà Q.ty	Note Vedi / See
1	2020990	Rondella ø1 5,5	Washer	2	
2	2060200	Vite autof.4,8x16	Screw	2	
3	2060170	Cofano	Casing	1	
4	621390	Chiavetta	Key	1	
5	4274	Motore Tecumseh	Gas engine Tecumseh	1	●
	4139	Motore Tecumseh	Gas engine Tecumseh	1	□
6	160311	Dado M 8	Nut	7	
7	390311	Rondella ø1 8,5	Washer	13	
8	1520840	Vite TCEI M 8x50	Screw	3	
9	1262540	Piede in gomma	Rubber foot	1	
10	1269119	Prem. tubo detergente	Detergent hose assembly	1	
11	2000240	OR ø 5,23x2,62	O-Ring	2	
12	380250	Vite TE M 8x45	Screw	4	
13	2060180	Manico	Handle	1	
14	620610	Vite TCEI M 8x30	Screw	3	
15	2060190	Base	Base	1	
16	2060110	Anello di fermo	Clips	1	
17	2060160	Ruota + copriruota	Wheel + cover	2	

SIMBOLOGIA - SYMBOLS

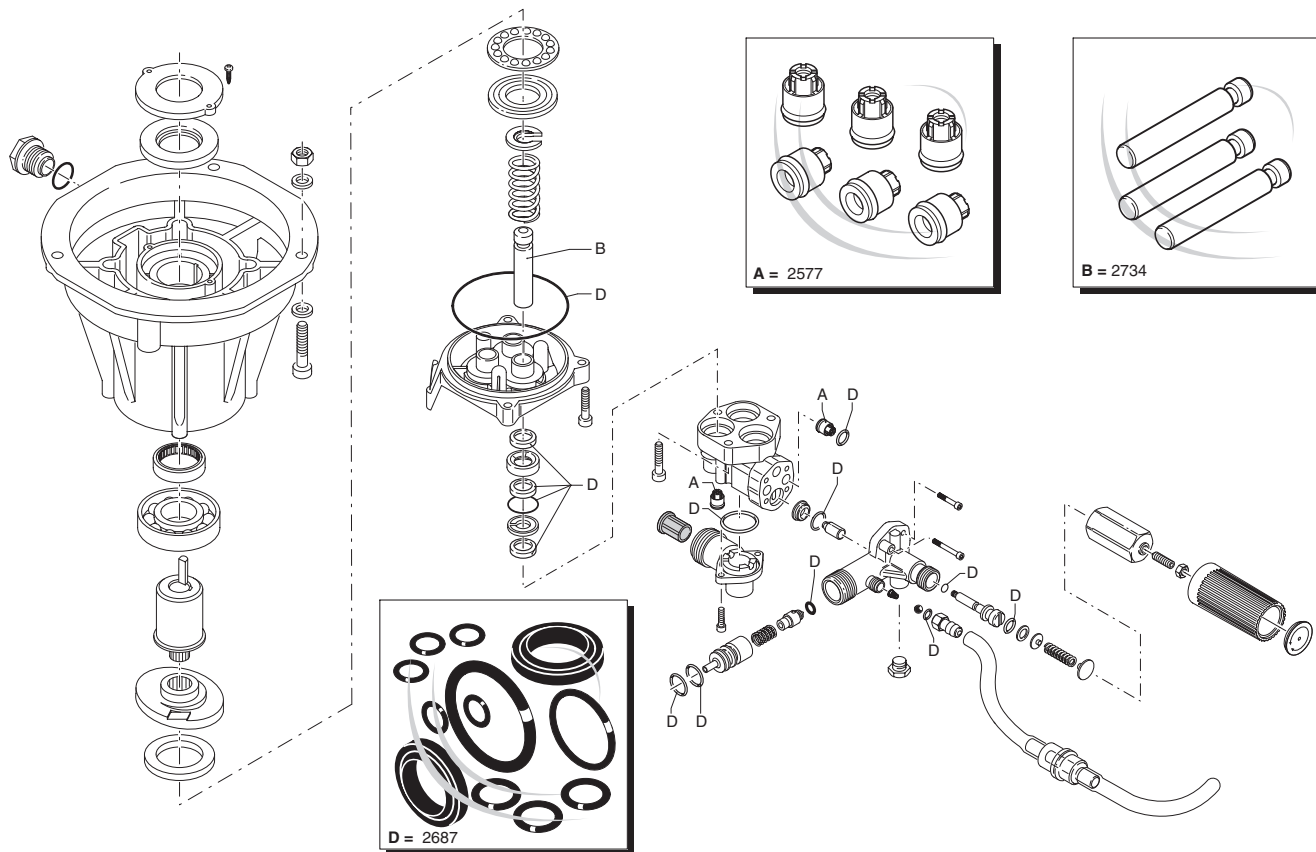
● 100 T

□ 120 T



UN002282-LA

KIT RICAMBI / PART KITS



UN002282-LA



Pos.	Cod. Part n°	Denominazione	Description	Q.tà Q.ty	Note Vedi / See
1	1460070	Ralla	Thrust bearing	1	
2	1683000	Piattello oscillante	Wobble plate	1	
3	2060020	Alberino ø 7/8"	Shaft	1	
4	621390	Chiavetta	Key	1	
5	621130	Cuscinetto	Bearing	1	
6	550280	Boccola a rullini	Roller bushing	1	
7	2060010	Flangia motori verticali	Flange	1	
8	1520840	Vite TCEI M 8x50	Screw	3	
9	390311	Rondella øi 8,5	Washer	6	
10	1269119	Prem. tubo detergente	Detergent hose assembly	1	
11	160311	Dado M 8	Nut	7	
12	740440	Tappo 1/2" +OR	Plug+O-Ring	1	
14	2060030	Coperchio	Cover	1	
15	1261570	Vite autof. 3,9x9,5	Screw	2	
16	540331	Anello tenuta	Seal ring	1	
17	820510	OR ø 10,82x1,78	O-Ring	1	
18	1465720	OR ø 9,75x1,78	O-Ring	2	
19	2020490	Iniettore detergente	Detergent injector	1	
21	1460382	Portagomma	Hose tail	1	
22	1460430	OR ø 4x2,5	O-Ring	1	
23	480480	OR ø 4,48x1,78	O-Ring	1	
24	1250280	Sfera inox	Stainelss steel ball	1	
25	1250270	Molla	Spring	1	
26	880840	OR ø 9,25x1,78	O-Ring	3	
27	2109051	Valvola completa	Complete valve	6	
29	2060300	Raccordo mandata	Outlet fitting	1	
30	394280	OR ø 12,42x1,78	O-Ring	1	
31	1460150	Pistone inferiore	Lower piston	1	
33	2020480	Sede valvola	Valve seat	1	
35	850850	Vite TCEI M 6x30	Screw	7	
37	2100610	Raccordo aspirazione	Suction fitting	1	
38	2101000	Vite TCEI M 4x15	Screw	2	
40	1461470	Innesto raccordo+guarn.	Attachment for tap+gasket	1	3/4" G(F)
41	1340260	Filtro aspirazione acqua	Water suction filter	1	
42	550350	OR ø 23,81x2,62	O-Ring	1	
45	2123	Testa pompa + OR	Pump head + O-Ring	1	
46	2200140	Guarnizione ø 12x20	Gasket	6	
47	2020040	Anello appoggio guarn.	Gasket support ring	3	
48	2021740	OR ø 21,5x2	O-Ring	3	
50	2020030	Boccola ø 12	Bushing	3	
51	1683500	Anello tenuta	Seal ring	3	
52	2020120	Guida pistone ø 12	Piston guide	1	
53	1680680	OR ø 95x2	O-Ring	1	
54	2020130	Pistone ø 12	Piston	3	

Pos.	Cod. Part n°	Denominazione	Description	Q.tà Q.ty	Note Vedi / See
55	2020150	Molla	Spring	3	
56	2020140	Piattello portamolla	Spring plate	3	
57	1680340	Ralla	Thrust bearing	1	
58	1461770	Gabbia completa	Complete cage	1	
59	1260760	Vite TCEI M 5x20	Screw	4	Autoformante
60	1460260	Pistone	Piston	1	
61	1460430	OR ø 4x2,5	O-Ring	1	
62	1540140	Molla	Spring	1	
63	1080190	OR ø 2,90x1,78	O-Ring	1	
64	1460140	Pistone superiore	Upper piston	1	
65	600180	OR ø 7,66x1,78	O-Ring	1	
66	1080401	Anello antiestrusione	Back-up ring	1	
67	1343450	Piattello molla	Spring plate	1	
68	1460190	Molla	Spring	1	
69	1343000	Piattello molla	Spring plate	1	
71	1980640	Inserto manopola	Knob insert	1	
72	392840	Grano M 6x16	Grub screw	1	
73	1060120	Dado M 6	Nut	1	
74	1981780	Manopola	Knob	1	
75	1981770	Tappo manopola	Knob plug	1	

KIT RICAMBI - PART KITS

A=KIT 2577 Valvole Valves		B=KIT 2734 Pistoni Pistons		D=KIT 2687 Tenute Gaskets			
Pos.	Q.ty	Pos.	Q.ty	Pos.	Q.ty	Pos.	Q.ty
27	6	54	3	26	3	53	1
				30	1		
				42	1		
				46	6		
				48	3		
				51	3		

Pos.	Q.ty	Pos.	Q.ty	Pos.	Q.ty	Pos.	Q.ty

SIMBOLOGIA - SYMBOLS

--	--	--	--	--	--	--	--