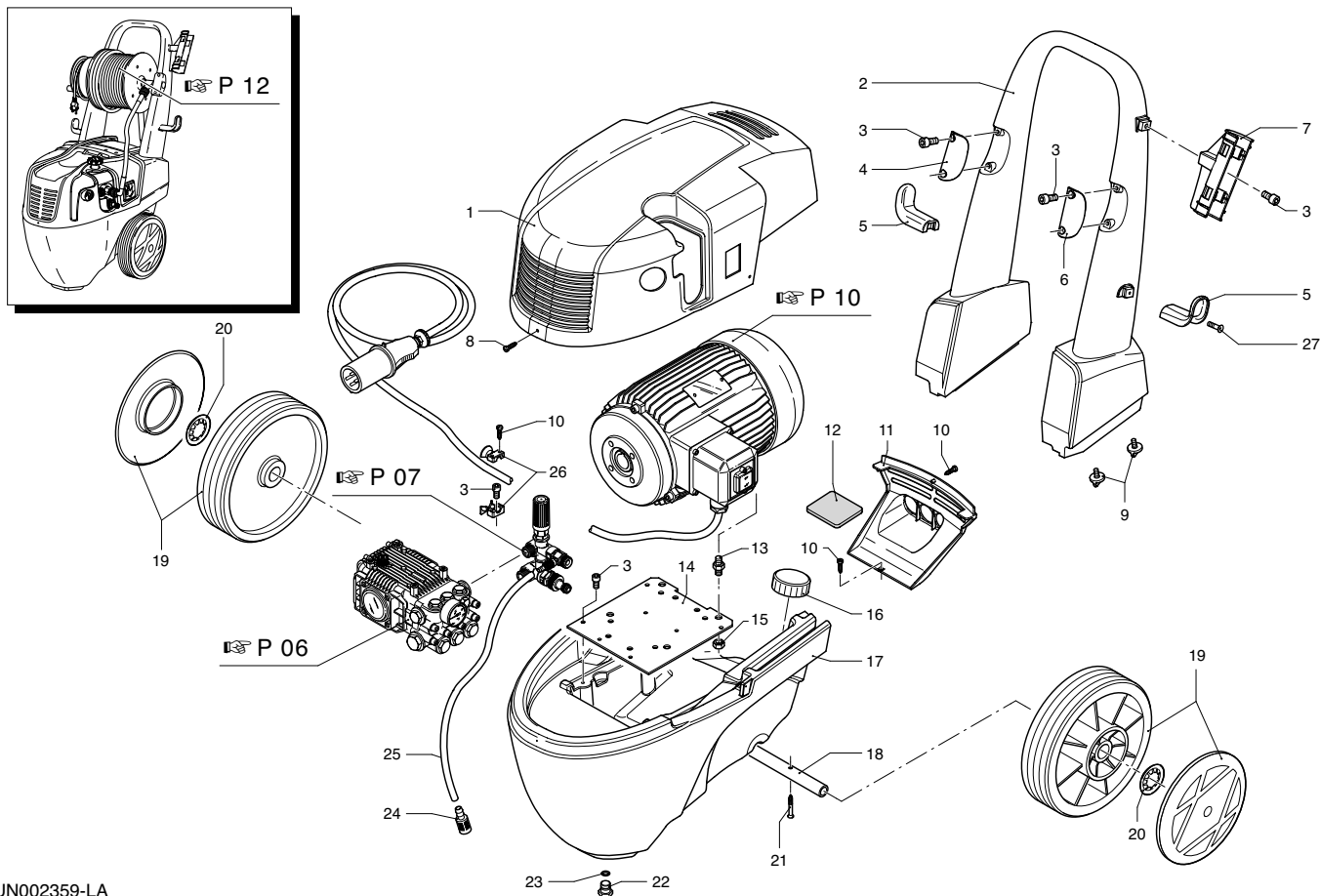


X-PRO

12.13 M
13.17 M
15.15 M
15.20 M

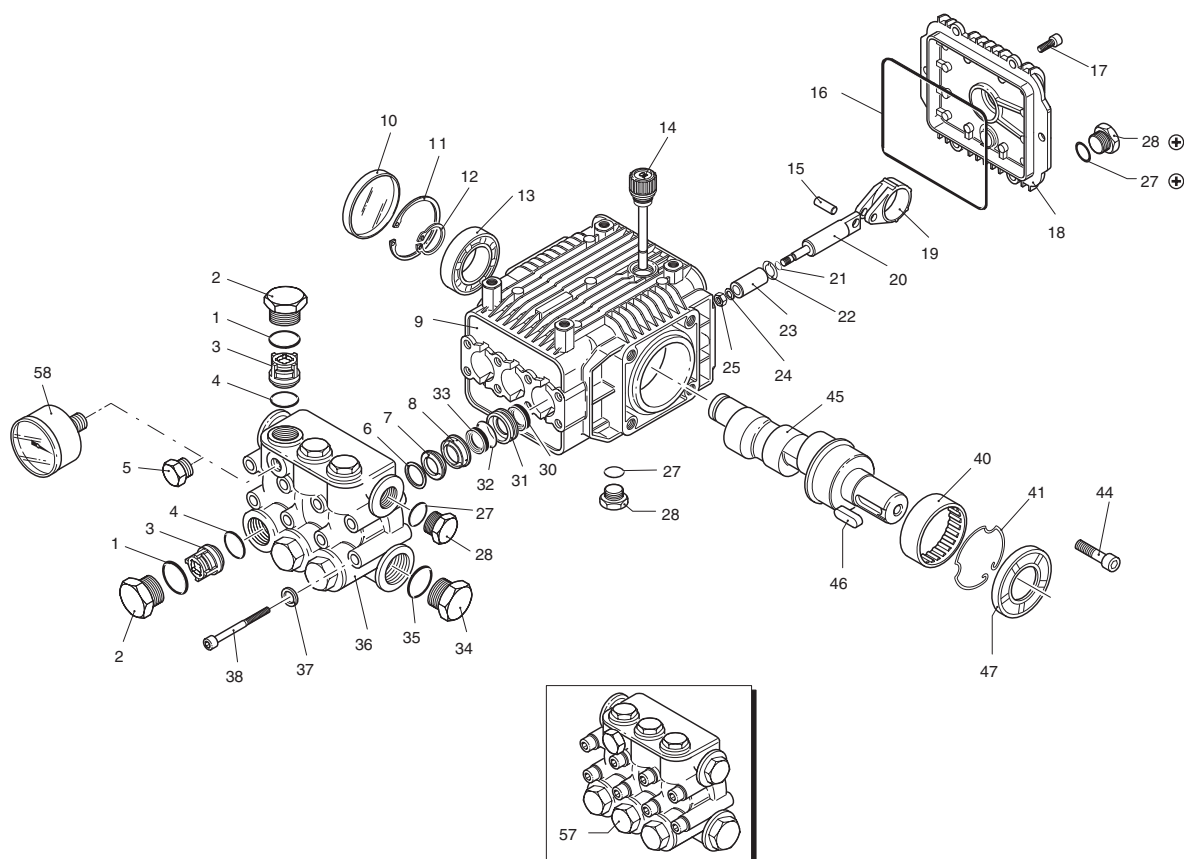
- 12.13 M RLW
- 13.17 M RLW
- 15.15 M RLW
- 15.20 M RLW



UN002359-LA

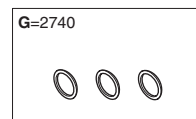
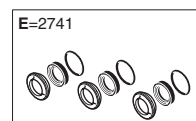
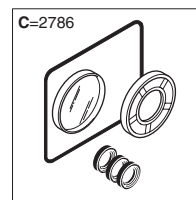
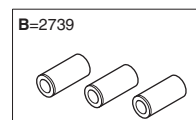
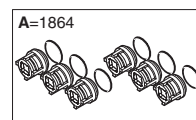
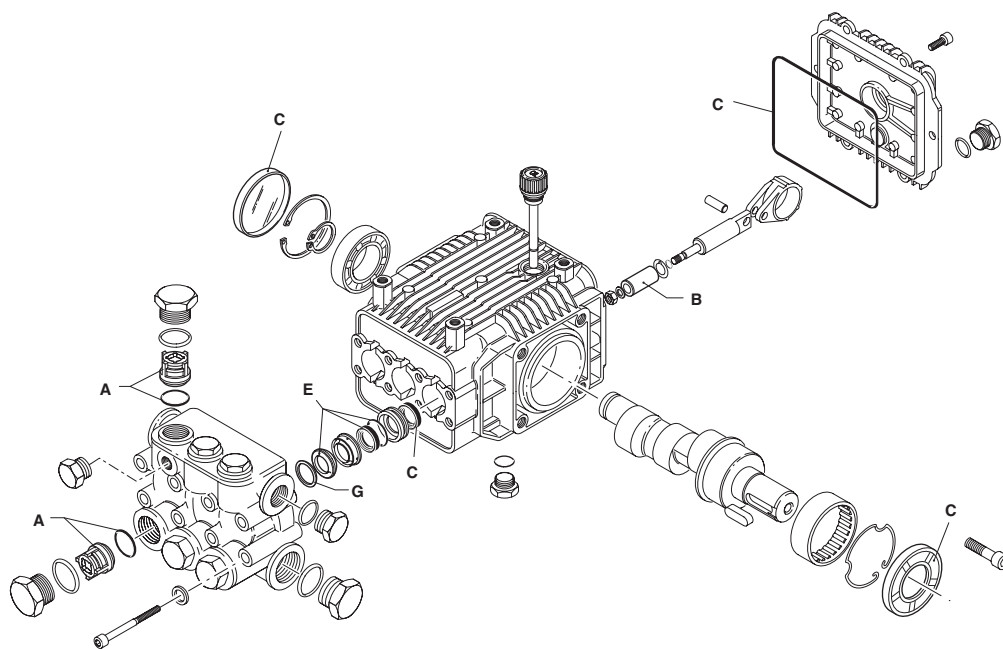
| Pos. | Cod. Part n° | Denominazione | Description | Q.tà Q.ty | Note Vedi / See |
|------|--------------|------------------------|--------------------------|-----------|-----------------|
| 1 | 2360036 | Cofano superiore | Upper casing | 1 | |
| 2 | 2360020 | Manico | Handle | 1 | |
| 3 | 2360360 | Vite TCEI M5x10 | Screw | 9 | |
| 4 | 2360300 | Tappo manico sx | Sx handle plug | 1 | |
| 5 | 2360090 | Gancio | Hook | 2 | |
| 6 | 2360170 | Tappo manico dx | Dx handle plug | 1 | |
| 7 | 2360100 | Supporto | Support | 1 | |
| 8 | 2100300 | Vite autof. 5x16 | Screw | 3 | |
| 9 | 2360270 | Pomello manico M5x15 | Handle knob | 4 | |
| 10 | 2000110 | Vite autof. 3,5x16 | Screw | 4 | |
| 11 | 2360040 | Carter posteriore | Rear casin | 1 | |
| 12 | 2360370 | Guarnizione | Gasket | 1 | |
| 13 | 2360340 | Colonna M8 | Stud bolt | 4 | |
| 14 | 2360050 | Piastra | Plate | 1 | |
| 15 | 380240 | Dado M8 | Nut | 4 | |
| 16 | 91680930 | Tappo serbatoio | Tank plug | 1 | |
| 17 | 2360010 | Base carrello | Trolley base | 1 | |
| 18 | 2360070 | Assale carrello | Trolley axle | 1 | |
| 19 | 1201290 | Ruota+copriuota nero | Wheel+cover | 2 | |
| 20 | 380620 | Rondella | Washer | 2 | |
| 21 | 1470220 | Vite TC M 5x25 | Screw | 2 | |
| 22 | 1682420 | Tappo | Dip stick | 1 | |
| 23 | 2000240 | OR ø 5,23x2,62 | O-Ring | 1 | |
| 24 | 2000230 | Filtro asp. detergente | Detergent suction filter | 1 | |
| 25 | 1270960 | Tubo detergente | Detergent hose | 1 | |
| 26 | 2360110 | Ponte serraggio | Cable clip | 1 | |
| 27 | 2100300 | Vite autof. TC M 5x16 | Screw | 2 | |

SIMBOLOGIA - SYMBOLS



UN002362-LA

KIT RICAMBI / PART KITS



UN002363-LA

| Pos. | Cod. Part n° | Denominazione | Description | Q.tà Q.ty | Note Vedi / See |
|------|--------------|--------------------------|---------------------|-----------|-----------------|
| 1 | 960160 | OR ø 17,86x2,62 | O-Ring | 6 | |
| 2 | 1260162 | Tappo valvola | Valve plug | 6 | |
| 3 | 1260950 | Valvola completa | Complete valve | 6 | |
| 4 | 880830 | OR ø 15,54x2,62 | O-Ring | 6 | |
| 5 | 620301 | Tappo 1/8" G | Plug | 1 | |
| 6 | 1780130 | Anello appoggio ø 15 | Support ring | 3 | ● |
| | 1780140 | Anello appoggio ø 18 | Support ring | 3 | □ ▲ ◆ |
| 7 | 1260130 | Guarnizione ø 15 | Gasket | 3 | ● |
| | 1260220 | Guarnizione ø 18 | Gasket | 3 | □ ▲ ◆ |
| 8 | 1780090 | Guida pistone ø 15 | Piston guide | 3 | ● |
| | 1780110 | Guida pistone ø 18 | Piston guide | 3 | □ ▲ ◆ |
| 9 | 1780010 | Corpo pompa | Pump housing | 1 | |
| 10 | 1266740 | Cappello | Cap | 1 | |
| 11 | 1260790 | Seeger øi 52 | Circlip | 1 | |
| 12 | 1780550 | Anello elastico | Snap ring | 1 | |
| 13 | 1780490 | Cuscinetto | Bearing | 1 | |
| 14 | 880130 | Tappo olio | Oil cap | 1 | |
| 15 | 1780050 | Spinotto | Piston pin | 3 | |
| 16 | 1780510 | OR ø 106x3 | O-Ring | 1 | |
| 17 | 1200430 | Vite TCEI M 6x16 | Screw | 6 | |
| 18 | 1789010 | Coperchio completo | Complete cover | 1 | |
| 19 | 1780040 | Biella | Con rod | 3 | |
| 20 | 1780060 | Pistone di guida | Guiding piston | 3 | |
| 21 | 480480 | OR ø 4,48x1,78 | O-Ring | 3 | |
| 22 | 1260091 | Disco separatore | Spacer disc | 3 | |
| 23 | 1780070 | Pistone ø 15 | Piston | 3 | ● |
| | 1780080 | Pistone ø 18 | Piston | 3 | □ ▲ ◆ |
| 24 | 1260100 | Rondella pistone | Piston washer | 3 | |
| 25 | 1260110 | Dado M 8 inox | Stainless steel nut | 3 | |
| 27 | 740290 | OR ø 14x1,78 | O-Ring | 3 | |
| 28 | 1980740 | Tappo 3/8" G | Plug | 3 | Ottone/Brass |
| 30 | 1260460 | Anello tenuta | Seal ring | 3 | |
| 31 | 1780100 | Guida pistone post. ø 15 | Rear piston guide | 3 | ● |
| | 1780120 | Guida pistone post. ø 18 | Rear piston guide | 3 | □ ▲ ◆ |
| 32 | 770260 | OR ø 23,52x1,78 | O-Ring | 3 | |
| 33 | 1260440 | Guarnizione C1 | C1 gasket | 3 | ● |
| | 1260450 | Guarnizione C1 | C1 gasket | 3 | □ ▲ ◆ |
| 34 | 820361 | Tappo 1/2" G | Plug | 1 | Ottone/Brass |
| 35 | 180101 | OR ø 17,5x2 | O-Ring | 1 | |
| 36 | 1780380 | Testa pompa | Pump head | 1 | |
| 37 | 1381550 | Rondella øi 6,4 | Washer | 8 | |
| 38 | 1322730 | Vite TCEI M 6x60 | Screw | 8 | |
| 40 | 1321190 | Cuscinetto | Bearing | 1 | |
| 41 | 1321080 | Anello elastico | Snap ring | 1 | |

| Pos. | Cod. Part n° | Denominazione | Description | Q.tà Q.ty | Note Vedi / See |
|------|--------------|-------------------|--------------------|-----------|-----------------|
| 44 | 180030 | Vite TCEI M 8x20 | Screw | 4 | |
| 45 | 1780150 | Albero eccentrico | Crankshaft | 1 | ● |
| | 1780180 | Albero eccentrico | Crankshaft | 1 | □ ▲ ◆ |
| 46 | 1380520 | Linguetta | Key | 1 | |
| 47 | 1260750 | Anello tenuta | Seal ring | 1 | ● |
| | 1260750 | Anello tenuta | Seal ring | 1 | □ ▲ ◆ |
| 57 | 1789201 | Prem. testa pompa | Pump head assembly | 1 | ● |
| | 1789202 | Prem. testa pompa | Pump head assembly | 1 | □ ▲ ◆ |
| 58 | 3232 | Manometro ø 40 mm | Pressure gauge | 1 | |

KIT RICAMBI - PART KITS

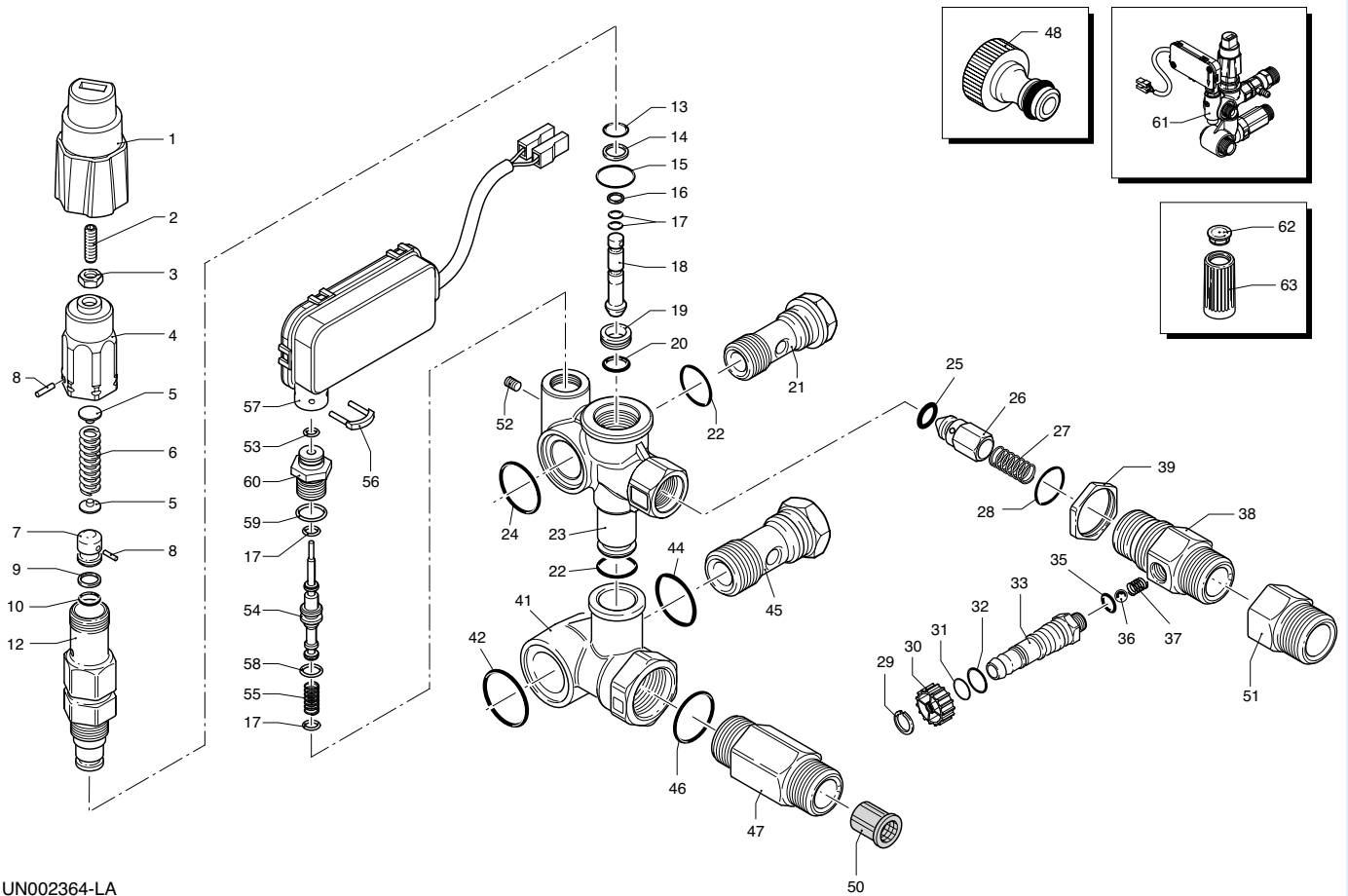
| A=KIT 1864 valvole valves | | B=KIT 2739 ● pistoni pistons | | B=KIT 2746 □▲◆ pistoni pistons | | C=KIT 2786 tenute olio oil seals | |
|---------------------------------|------|------------------------------------|------|--------------------------------------|------|--|------|
| Pos. | Q.ty | Pos. | Q.ty | Pos. | Q.ty | Pos. | Q.ty |
| 3 | 6 | 23 | 3 | 23 | 3 | 10 | 1 |
| 4 | 6 | | | | | 16 | 1 |
| | | | | | | 30 | 3 |
| | | | | | | 47 | 1 |

| E=KIT 2741 ● tenute acqua water seals | | E=KIT 2747 □▲◆ tenute acqua water seals | | G=KIT 2740 ● anelli appoggio support rings | | G=KIT 2745 □▲◆ anelli appoggio support rings | |
|---|------|---|------|--|------|--|------|
| Pos. | Q.ty | Pos. | Q.ty | Pos. | Q.ty | Pos. | Q.ty |
| 7 | 3 | 7 | 3 | 6 | 3 | 6 | 3 |
| 32 | 3 | 32 | 3 | | | | |
| 33 | 3 | 33 | 3 | | | | |

SIMBOLOGIA - SYMBOLS

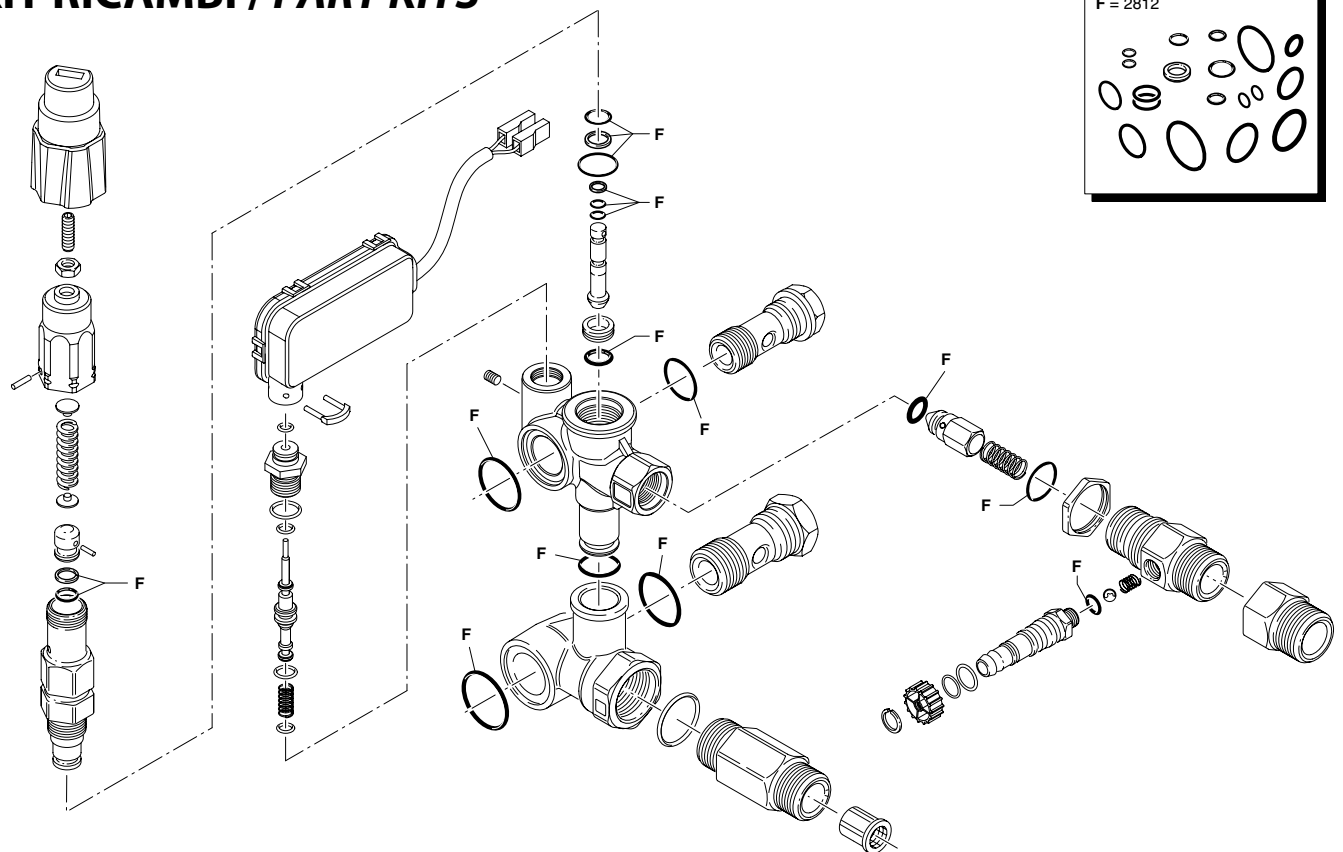
- 12.13 M
12.13 M TSS
- 13.17 M
13.17 M TSS
- ▲ 15.15 M
15.15 M TSS
- ◆ 15.20 M
15.20 M TSS

⊕ Compreso nel codice 1789010
Part of part n° 1789010



UN002364-LA

KIT RICAMBI / PART KITS



UN002365-LA



| Pos. | Cod. Part n° | Denominazione | Description | Q.tà Q.ty | Note Vedi / See |
|------|--------------|-------------------------|---------------------------|-----------|-----------------|
| 1 | 2500210 | Prolunga manopola | Knob extension | 1 | |
| 2 | 392840 | Grano M 6x16 | Grub screw | 1 | |
| 3 | 1980300 | Dado M 6 | Nut | 1 | |
| 4 | 2500400 | Inserto manopola | Knob insert | 1 | |
| 5 | 1980220 | Piattello molla | Spring plate | 2 | |
| 6 | 1271070 | Molla | Spring | 1 | |
| 7 | 1080041 | Pistone superiore | Upper piston | 1 | |
| 8 | 1080070 | Spina | Pin | 2 | |
| 9 | 1080401 | Anello antiestruzione | Back-up ring | 1 | |
| 10 | 1080250 | OR ø 7,66x1,78 | O-Ring | 1 | |
| 12 | 1980210 | Guida pistone | Piston guide | 1 | |
| 13 | 740290 | OR ø 14x1,78 | O-Ring | 1 | |
| 14 | 800560 | OR ø 8,73x1,78 | O-Ring | 1 | |
| 15 | 880830 | OR ø 15,54x2,62 | O-Ring | 1 | |
| 16 | 1271170 | Anello antiestruzione | Back-up ring | 1 | |
| 17 | 1080190 | OR ø 2,90x1,78 | O-Ring | 4 | |
| 18 | 1271160 | Pistone inferiore | Lower piston | 1 | |
| 19 | 1980200 | Sede valvola | Valve seat | 1 | |
| 20 | 1470210 | OR ø 9x1 | O-Ring | 1 | |
| 21 | 1540270 | Vite 3/8" G | Screw | 1 | Ottone/Brass |
| 22 | 390080 | OR ø 11,91x2,62 | O-Ring | 2 | |
| 23 | 1540660 | Corpo valvola | Valve housing | 1 | |
| 24 | 1140450 | OR ø 20,24x2,62 | O-Ring | 1 | |
| 25 | 1460430 | OR ø 4x2,5 | O-Ring | 1 | |
| 26 | 1540170 | Otturatore | Jet | 1 | |
| 27 | 1080091 | Molla sfera | Ball spring | 1 | |
| 28 | 394280 | OR ø 12,42x1,78 | O-Ring | 1 | |
| 29 | 1560660 | Anello | Ring | 1 | |
| 30 | 2360650 | Manopola reg.det. | Detergent reg. knob | 1 | |
| 31 | 480560 | OR ø 6,75x1,78 | O-Ring | 1 | |
| 32 | 800560 | OR ø 8,73x1,78 | O-Ring | 1 | |
| 33 | 1560650 | Portagomma | Hose tail | 1 | |
| 35 | 480480 | OR ø 4,48x1,78 | O-Ring | 1 | |
| 36 | 1250280 | Sfera inox | Stainelss steel ball | 1 | |
| 37 | 1560520 | Molla | Spring | 1 | |
| 38 | 1540580 | Raccordo 3/8" G ø 2,3 | Fitting 3/8" G ø 2,3 | 1 | |
| 39 | 1540300 | Controdado | Nut | 1 | |
| 41 | 1540280 | Corpo by-pass 3/8" G | By-pass housing | 1 | |
| 42 | 1540630 | OR ø 23,47x2,62 | O-Ring | 1 | |
| 44 | 880270 | OR ø 17,17x1,78 | O-Ring | 1 | |
| 45 | 1540260 | Vite 1/2" G | Screw | 1 | |
| 46 | 480440 | OR ø 17,13x2,62 | O-Ring | 1 | |
| 47 | 1560600 | Raccordo aspirazione | Suction fitting | 1 | |
| 48 | 1461470 | Innesto raccordo+guarn. | Attachment for tap+gasket | 1 | 3/4" G(F) |

| Pos. | Cod. Part n° | Denominazione | Description | Q.tà Q.ty | Note Vedi / See |
|------|--------------|--------------------------|----------------------|-----------|-----------------|
| 50 | 1340260 | Filtro aspirazione acqua | Water suction filter | 1 | |
| 51 | 1343160 | Raccordo 1/8" G | Fitting 1/8" G | 1 | |
| 52 | 1981190 | Grano M 3x5 | Grub screw | 1 | |
| 53 | 1260820 | OR ø 1,78x1,78 | O-Ring | 1 | |
| 54 | 1540880 | Pistone TSS | TSS piston | 1 | |
| 55 | 1981320 | Molla | Spring | 1 | |
| 56 | 2022200 | Forcella | Clip | 1 | |
| 57 | 2029753 | Prem. TSS | TSS assembly | 1 | |
| 58 | 660190 | OR ø 6,07x1,78 | O-Ring | 1 | |
| 59 | 880840 | OR ø 9,25x1,78 | O-Ring | 1 | |
| 60 | 1540870 | Raccordo TSS | TSS fitting | 1 | |
| 61 | 22076 | Valvola completa | Complete valve | 1 | |
| 62 | 1981770 | Tappo manopola | Knob plug | 1 | |
| 63 | 1981780 | Prolunga manopola | Knob extension | 1 | |

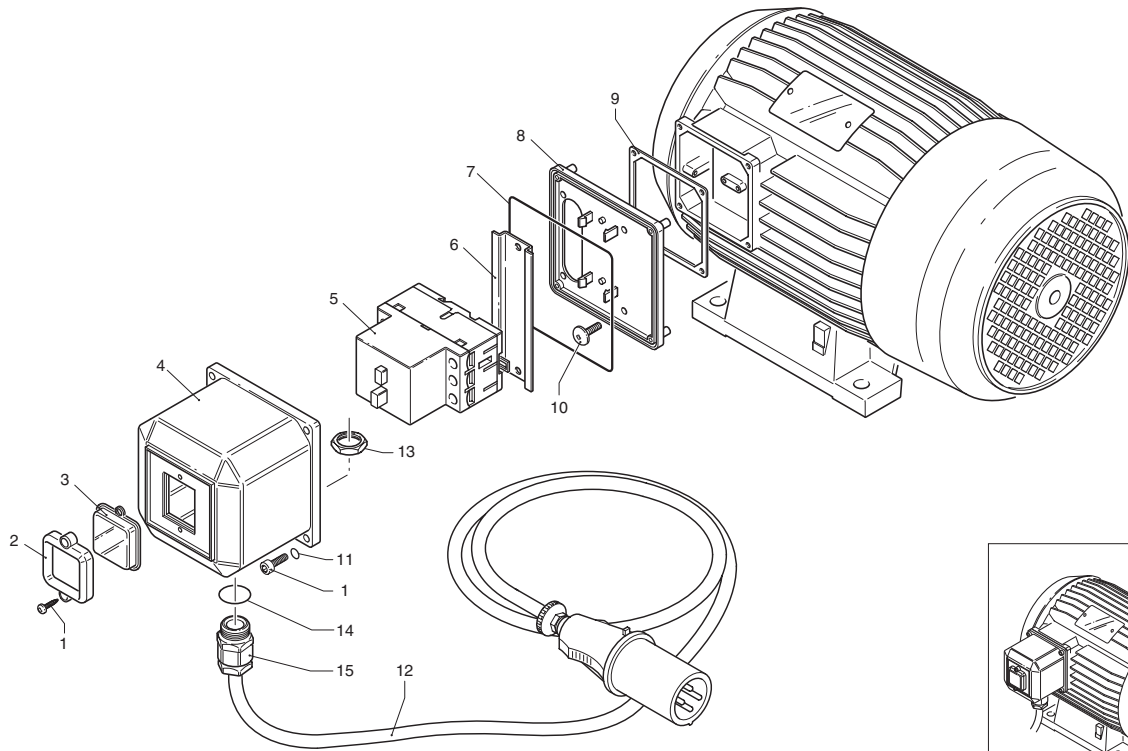
KIT RICAMBI - PART KITS

| F=KIT 2812 OR O-Rings | | | | | | | |
|-----------------------------|------|------|------|------|------|------|------|
| Pos. | Q.ty | Pos. | Q.ty | Pos. | Q.ty | Pos. | Q.ty |
| 9 | 1 | 17 | 2 | 35 | 1 | | |
| 10 | 1 | 20 | 1 | 42 | 1 | | |
| 13 | 1 | 22 | 2 | 44 | 1 | | |
| 14 | 1 | 24 | 1 | | | | |
| 15 | 1 | 25 | 1 | | | | |
| 16 | 1 | 28 | 1 | | | | |

| Pos. | Q.ty | Pos. | Q.ty | Pos. | Q.ty | Pos. | Q.ty |
|------|------|------|------|------|------|------|------|
| | | | | | | | |

SIMBOLOGIA - SYMBOLS

| | | | | | | | |
|--|--|--|--|--|--|--|--|
| | | | | | | | |
|--|--|--|--|--|--|--|--|



UN002367-LA

| Pos. | Cod. Part n° | Denominazione | Description | Q.tà Q.ty | Note Vedi / See |
|------|--------------|---------------------------|------------------|-----------|-----------------|
| 1 | 1261560 | Vite autof. 3,9x16 | Screw | 6 | |
| 2 | 1700120 | Cornice interruttore | Switch frame | 1 | |
| 3 | 1700130 | Cuffia di protezione | Cover | 1 | |
| 4 | 1700090 | Coperchio scatola interr. | Switch box cover | 1 | |
| 5 | 1382040 | Interruttore 16 A | Switch 16 A | 1 | ● |
| | 1382020 | Interruttore 16 A | Switch 16 A | 1 | □ |
| 6 | 1381950 | Guida interruttore | Switch guide | 1 | |
| 7 | 1700110 | OR ø 139,37x2,62 | O-Ring | 1 | |
| 8 | 1700080 | Base scatola interruttore | Switch box base | 1 | |
| 9 | 1700100 | Guarnizione | Gasket | 1 | |
| 10 | 1470130 | Vite TC M 5x14 | Screw | 4 | |
| 11 | 1120680 | OR ø 3,69x1,78 | O-Ring | 4 | |
| 12 | 1270950 | Cavo | Cable | 1 | ● |
| | 1700640 | Cavo | Cable | 1 | □ |
| 13 | 1700590 | Controdado | Nut | 1 | |
| 14 | 880270 | OR ø 17,17x1,78 | O-Ring | 1 | |
| 15 | 1700340 | Pressacavo | Gland | 1 | |
| 16 | 4797 | Motore elettrico | Electric motor | 1 | ● ① |
| | 44015 | Motore elettrico | Electric motor | 1 | □ ① |

| Pos. | Cod. Part n° | Denominazione | Description | Q.tà Q.ty | Note Vedi / See |
|------|--------------|---------------|-------------|-----------|-----------------|
| | | | | | |

SIMBOLOGIA - SYMBOLS

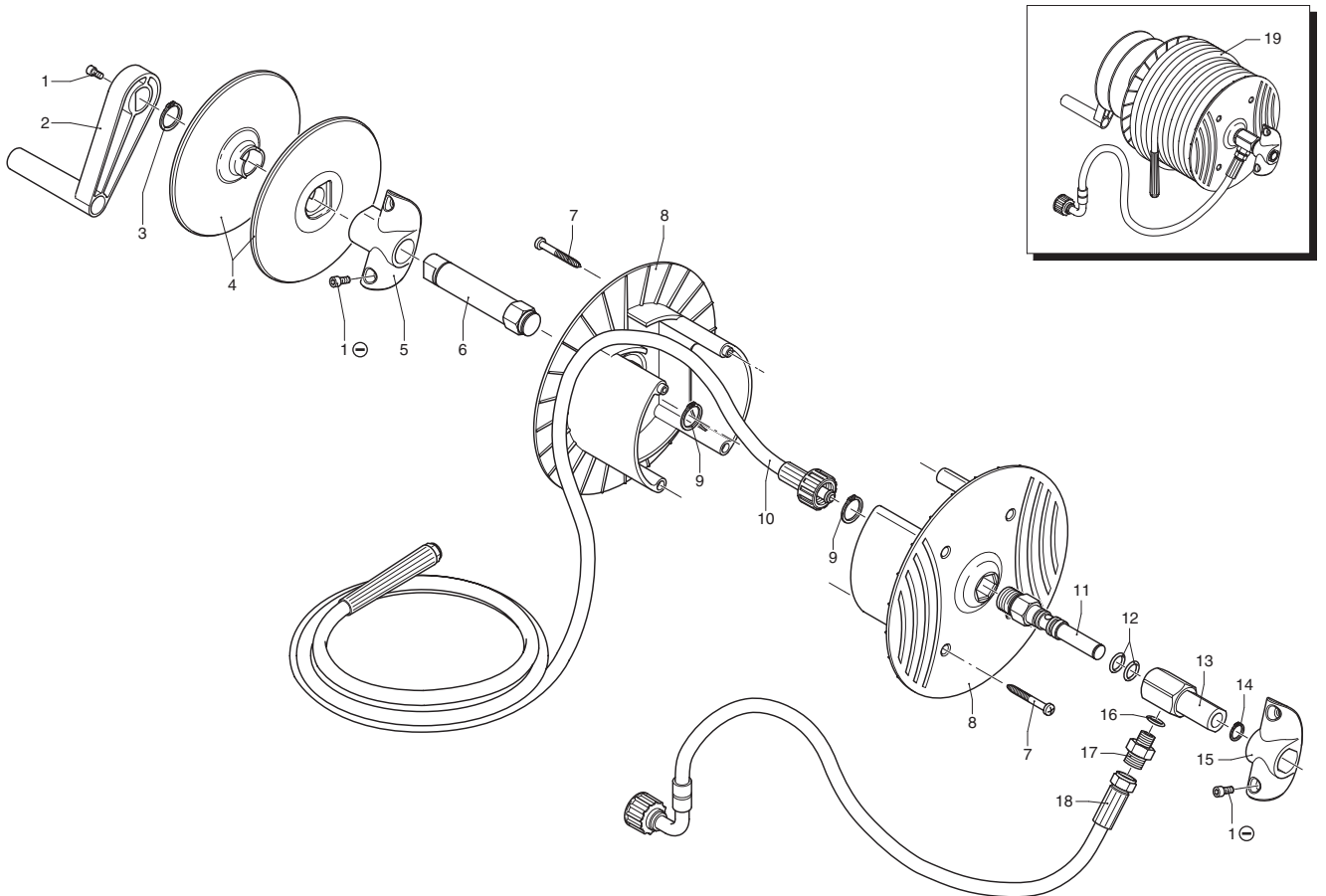
● 12.13 M

□ 13.17 M

15.15 M

15.20 M

① 230 V/50Hz - Schuko



UN002407-LA

| Pos. | Cod. Part n° | Denominazione | Description | Q.tà Q.ty | Note Vedi / See |
|------|--------------|------------------------|--------------------|-----------|-----------------|
| 1 | 2360360 | Vite TCEI M5x10 | Screw | 1 | |
| 2 | 2360150 | Leva avvolgitubo | Hose reel lever | 1 | |
| 3 | 650500 | Seeger øe 24 | Circlip | 1 | |
| 4 | 2360190 | Disco | Disc | 2 | |
| 5 | 2360160 | Staffa sx | Sx bracket | 1 | |
| 6 | 2360280 | Perno sx | Sx pin | 1 | |
| 7 | 1681280 | Vite autof. 4,2x50 | Screw | 4 | |
| 8 | 2360230 | Avvolgitubo | Hose reel | 2 | |
| 9 | 380420 | Seeger øe 22 | Circlip | 2 | |
| 10 | 2360260 | Tubo di mandata | High pressure hose | 1 | 15 m |
| 11 | 2360210 | Perno dx | Dx pin | 1 | |
| 12 | 390080 | OR ø 11,91x2,62 | O-Ring | 2 | |
| 13 | 2360220 | Raccordo | Fitting | 1 | |
| 14 | 2360320 | Seeger øe 14 | Circlip | 1 | |
| 15 | 2360080 | Staffa dx | Dx bracket | 1 | |
| 16 | 820510 | OR ø 10,82x1,78 | O-Ring | 1 | |
| 17 | 2360310 | Nipples 1/4"-3/4"G (M) | Threaded adapter | 1 | |
| 18 | 2360250 | Tubo | Hose | 1 | |
| 19 | 40120 | Kit avvolgitubo RLW | RLW hose reel kit | 1 | |

| Pos. | Cod. Part n° | Denominazione | Description | Q.tà Q.ty | Note Vedi / See |
|------|--------------|---------------|-------------|-----------|-----------------|
| | | | | | |

SIMBOLOGIA - SYMBOLS

⊖ Non compreso nel premontaggio avvolgitubo
No part of hose reel pre-assembly