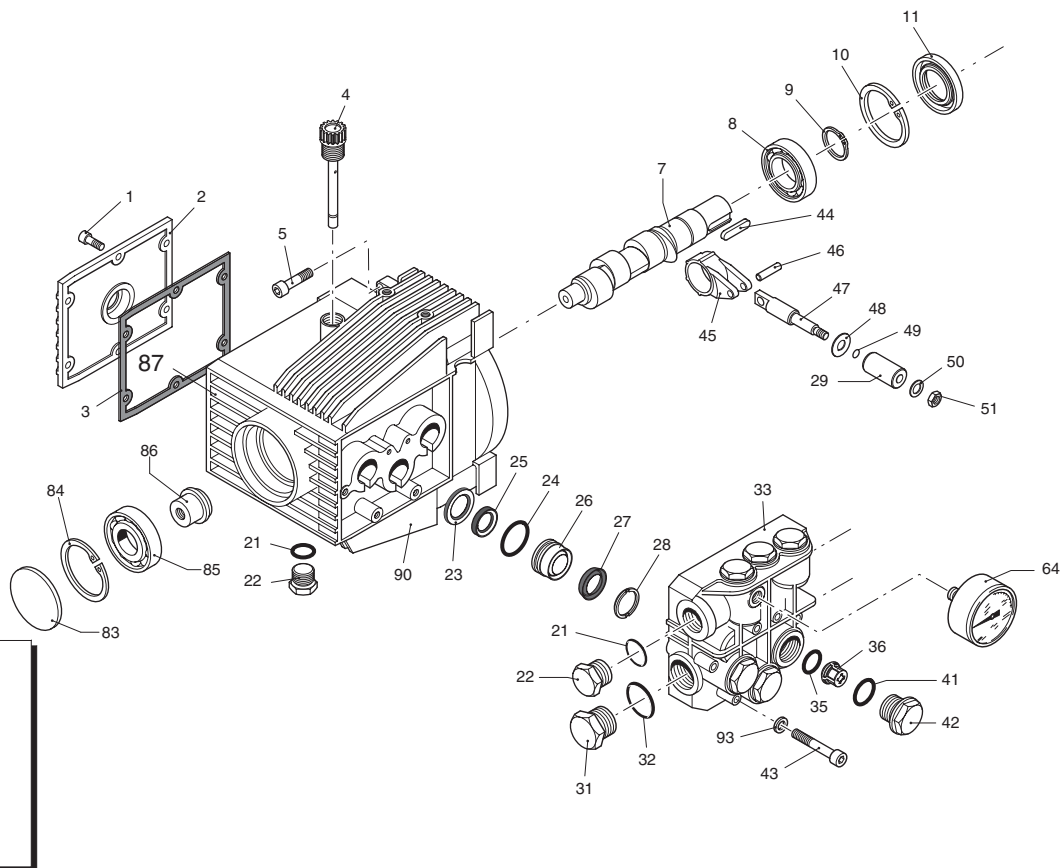


UN002358-LA

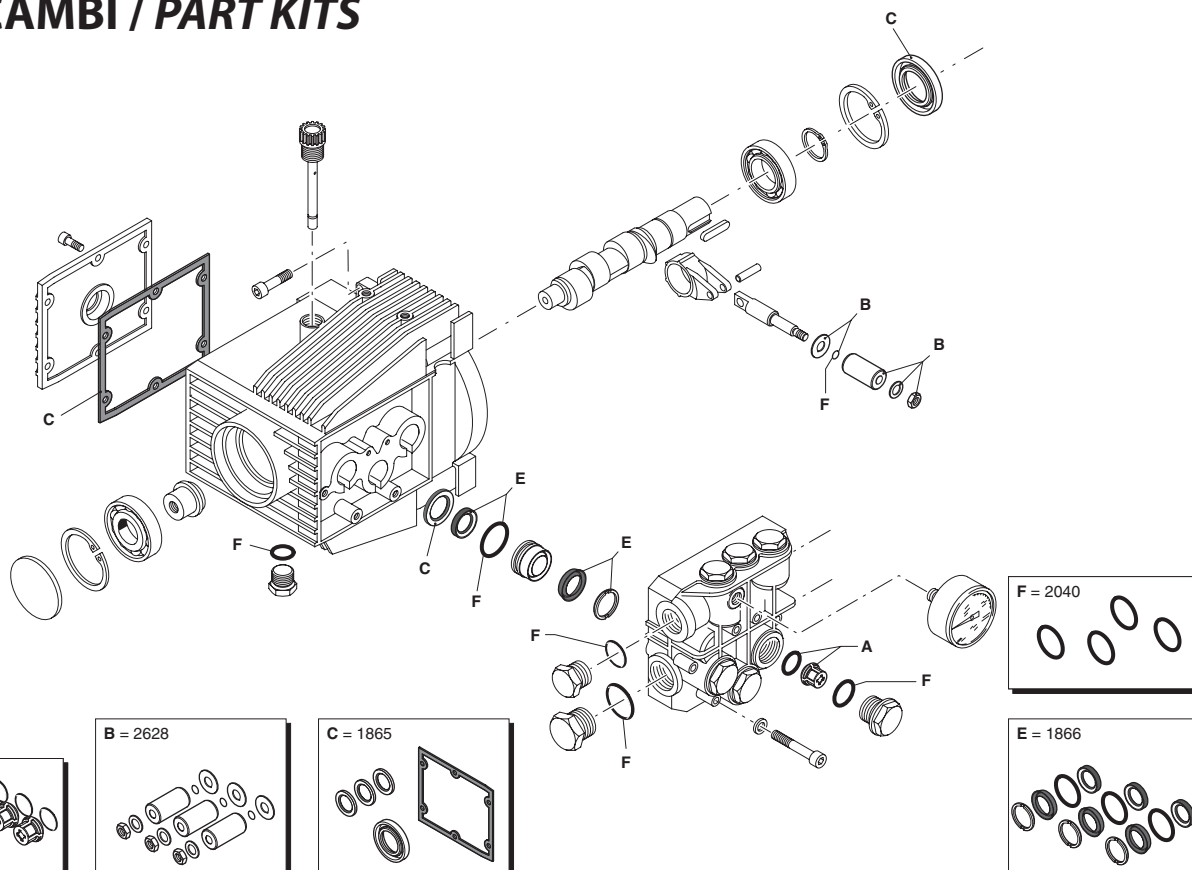
| Pos. | Cod. Part n° | Denominazione          | Description              | Q.tà Q.ty | Note Vedi / See |
|------|--------------|------------------------|--------------------------|-----------|-----------------|
| 1    | 2360137      | Cofano superiore       | Upper casing             | 1         |                 |
| 2    | 2360020      | Manico                 | Handle                   | 1         |                 |
| 3    | 2360360      | Vite TCEI M5x10        | Screw                    | 9         |                 |
| 4    | 2360300      | Tappo manico sx        | Sx handle plug           | 1         |                 |
| 5    | 2360090      | Gancio                 | Hook                     | 1         |                 |
| 6    | 2360170      | Tappo manico dx        | Dx handle plug           | 1         |                 |
| 7    | 2360100      | Supporto               | Support                  | 1         |                 |
| 8    | 2100300      | Vite autof. 5x16       | Screw                    | 3         |                 |
| 9    | 2360270      | Pomello manico M5x15   | Handle knob              | 4         |                 |
| 10   | 2000110      | Vite autof. 3,5x16     | Screw                    | 4         |                 |
| 11   | 2360040      | Carter posteriore      | Rear casin               | 1         |                 |
| 12   | 2360370      | Guarnizione            | Gasket                   | 1         |                 |
| 13   | 2360240      | Colonna M8             | Stud bolt                | 4         |                 |
| 14   | 2360050      | Piastra                | Plate                    | 1         |                 |
| 15   | 380240       | Dado M8                | Nut                      | 4         |                 |
| 16   | 91680930     | Tappo serbatoio        | Tank plug                | 1         |                 |
| 17   | 2360010      | Base carrello          | Trolley base             | 1         |                 |
| 18   | 2360070      | Assale carrello        | Trolley axle             | 1         |                 |
| 19   | 1201290      | Ruota+copriuota nero   | Wheel+cover              | 2         |                 |
| 20   | 380620       | Rondella               | Washer                   | 2         |                 |
| 21   | 1470220      | Vite TC M 5x25         | Screw                    | 2         |                 |
| 22   | 1682420      | Tappo                  | Dip stick                | 1         |                 |
| 23   | 2000240      | OR ø 5,23x2,62         | O-Ring                   | 1         |                 |
| 24   | 2000230      | Filtro asp. detergente | Detergent suction filter | 1         |                 |
| 25   | 1270960      | Tubo detergente        | Detergent hose           | 1         |                 |
| 26   | 2360110      | Ponte serraggio        | Cable clip               | 1         |                 |
| 27   | 2100300      | Vite autof. TC M 5x16  | Screw                    | 2         |                 |

## SIMBOLOGIA - SYMBOLS



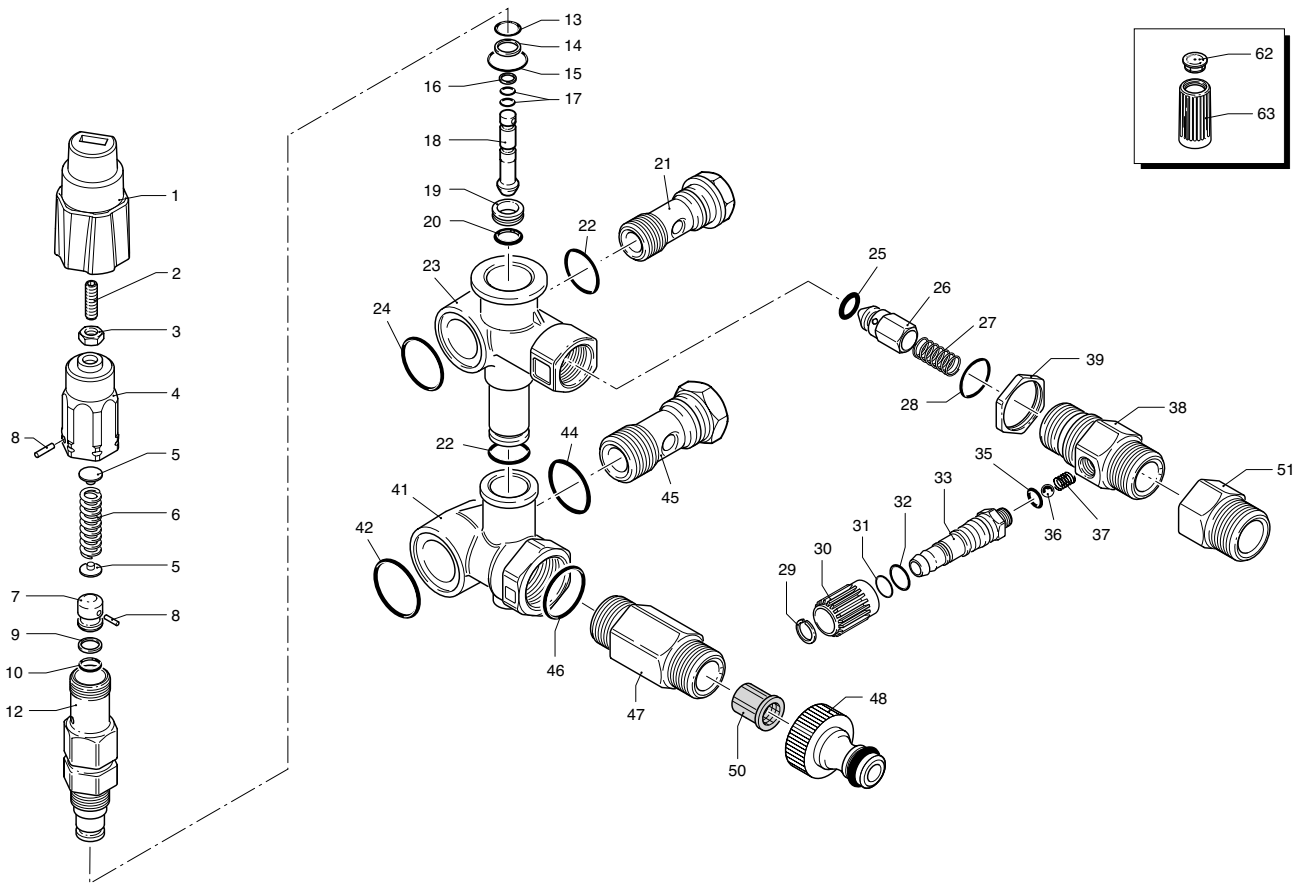
UN002360-LA

## KIT RICAMBI / PART KITS



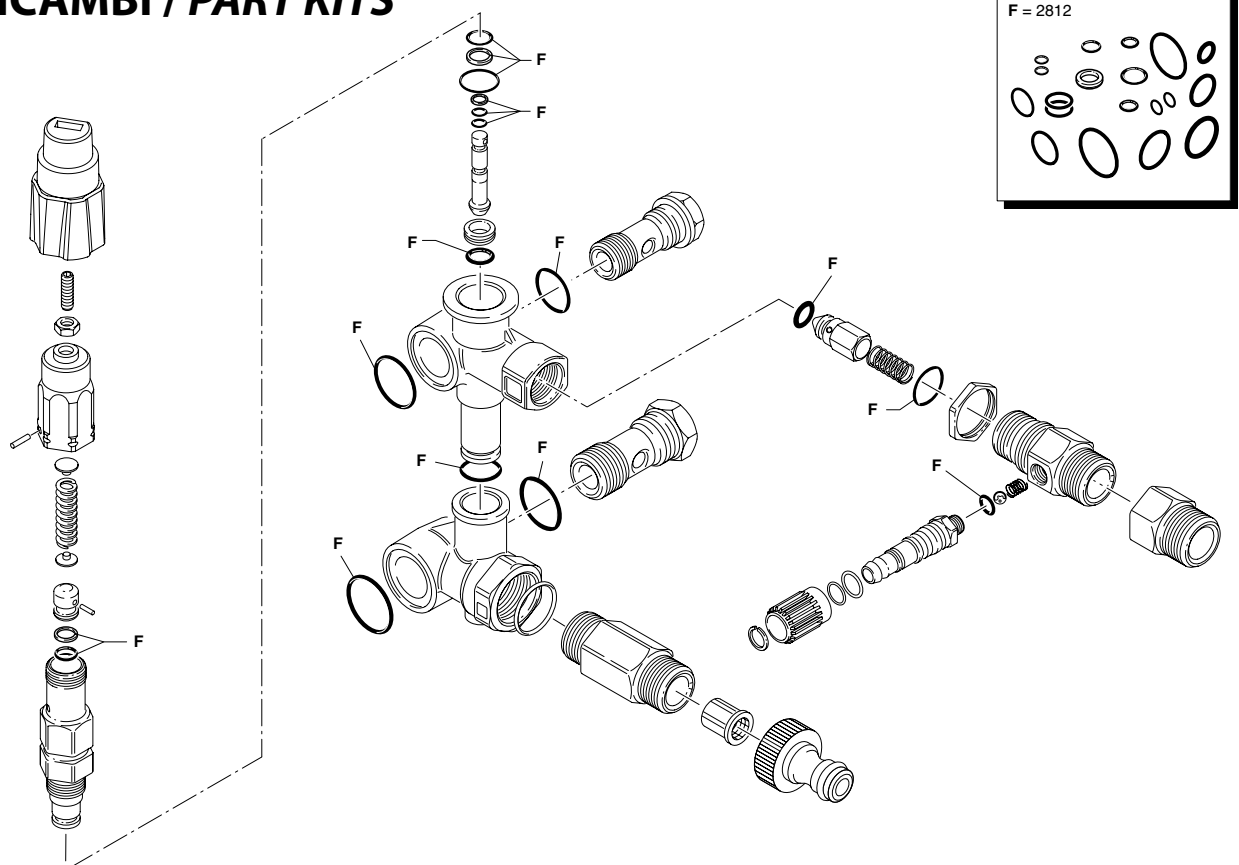
UN002361-LA





UN002375-LA

## KIT RICAMBI / PART KITS



UN002376-LA



| Pos. | Cod. Part n° | Denominazione         | Description          | Q.tà Q.ty | Note Vedi / See |
|------|--------------|-----------------------|----------------------|-----------|-----------------|
| 1    | 2500210      | Prolunga manopola     | Knob extension       | 1         |                 |
| 1    | 1981780      | Prolunga manopola     | Knob extension       | 1         |                 |
| 2    | 1980470      | Grano M 6x20          | Grub screw           | 1         |                 |
| 3    | 1980300      | Dado M 6              | Nut                  | 1         |                 |
| 4    | 2500400      | Inserto manopola      | Knob insert          | 1         |                 |
| 5    | 1980220      | Piattello molla       | Spring plate         | 2         |                 |
| 6    | 1271070      | Molla                 | Spring               | 1         |                 |
| 7    | 1080041      | Pistone superiore     | Upper piston         | 1         |                 |
| 8    | 1080070      | Spina                 | Pin                  | 2         |                 |
| 9    | 1080401      | Anello antiestrusione | Back-up ring         | 1         |                 |
| 10   | 1080250      | OR ø 7,66x1,78        | O-Ring               | 1         |                 |
| 12   | 1980210      | Guida pistone         | Piston guide         | 1         |                 |
| 13   | 740290       | OR ø 14x1,78          | O-Ring               | 1         |                 |
| 14   | 800560       | OR ø 8,73x1,78        | O-Ring               | 1         |                 |
| 15   | 880830       | OR ø 15,54x2,62       | O-Ring               | 1         |                 |
| 16   | 1271170      | Anello antiestrusione | Back-up ring         | 1         |                 |
| 17   | 1080190      | OR ø 2,90x1,78        | O-Ring               | 2         |                 |
| 18   | 1271160      | Pistone inferiore     | Lower piston         | 1         |                 |
| 19   | 1980200      | Sede valvola          | Valve seat           | 1         |                 |
| 20   | 1470210      | OR ø 9x1              | O-Ring               | 1         |                 |
| 21   | 1540270      | Vite 3/8" G           | Screw                | 1         | Ottone/Brass    |
| 22   | 390080       | OR ø 11,91x2,62       | O-Ring               | 2         |                 |
| 23   | 1540510      | Corpo valvola         | Valve housing        | 1         |                 |
| 24   | 1140450      | OR ø 20,24x2,62       | O-Ring               | 1         |                 |
| 25   | 1460430      | OR ø 4x2,5            | O-Ring               | 1         |                 |
| 26   | 1540170      | Otturatore            | Jet                  | 1         |                 |
| 27   | 1080091      | Molla sfera           | Ball spring          | 1         |                 |
| 28   | 394280       | OR ø 12,42x1,78       | O-Ring               | 1         |                 |
| 29   | 1560660      | Anello                | Ring                 | 1         |                 |
| 30   | 1560680      | Manopola reg.det.     | Detergent reg. knob  | 1         |                 |
| 31   | 480560       | OR ø 6,75x1,78        | O-Ring               | 1         |                 |
| 32   | 800560       | OR ø 8,73x1,78        | O-Ring               | 1         |                 |
| 33   | 1560650      | Portagomma            | Hose tail            | 1         |                 |
| 35   | 480480       | OR ø 4,48x1,78        | O-Ring               | 1         |                 |
| 36   | 1250280      | Sfera inox            | Stainelss steel ball | 1         |                 |
| 37   | 1560520      | Molla                 | Spring               | 1         |                 |
| 38   | 1540570      | Raccordo 3/8" G ø 2   | Fitting 3/8" G ø 2   | 1         |                 |
| 39   | 1540300      | Controdado            | Nut                  | 1         |                 |
| 41   | 1540280      | Corpo by-pass 3/8" G  | By-pass housing      | 1         |                 |
| 42   | 1540630      | OR ø 23,47x2,62       | O-Ring               | 1         |                 |
| 44   | 880270       | OR ø 17,17x1,78       | O-Ring               | 1         |                 |
| 45   | 1540260      | Vite 1/2" G           | Screw                | 1         |                 |
| 46   | 480440       | OR ø 17,13x2,62       | O-Ring               | 1         |                 |
| 47   | 1560600      | Raccordo aspirazione  | Suction fitting      | 1         |                 |

| Pos. | Cod. Part n° | Denominazione            | Description               | Q.tà Q.ty | Note Vedi / See |
|------|--------------|--------------------------|---------------------------|-----------|-----------------|
| 48   | 1461470      | Innesto raccordo+guarn.  | Attachment for tap+gasket | 1         | 3/4" G(F)       |
| 50   | 1340260      | Filtro aspirazione acqua | Water suction filter      | 1         |                 |
| 51   | 1343160      | Raccordo 1/8" G          | Fitting 1/8" G            | 1         |                 |
| 62   | 1981770      | Tappo manopola           | Knob plug                 | 1         |                 |
| 63   | 1981780      | Prolunga manopola        | Knob extension            | 1         |                 |

### KIT RICAMBI - PART KITS

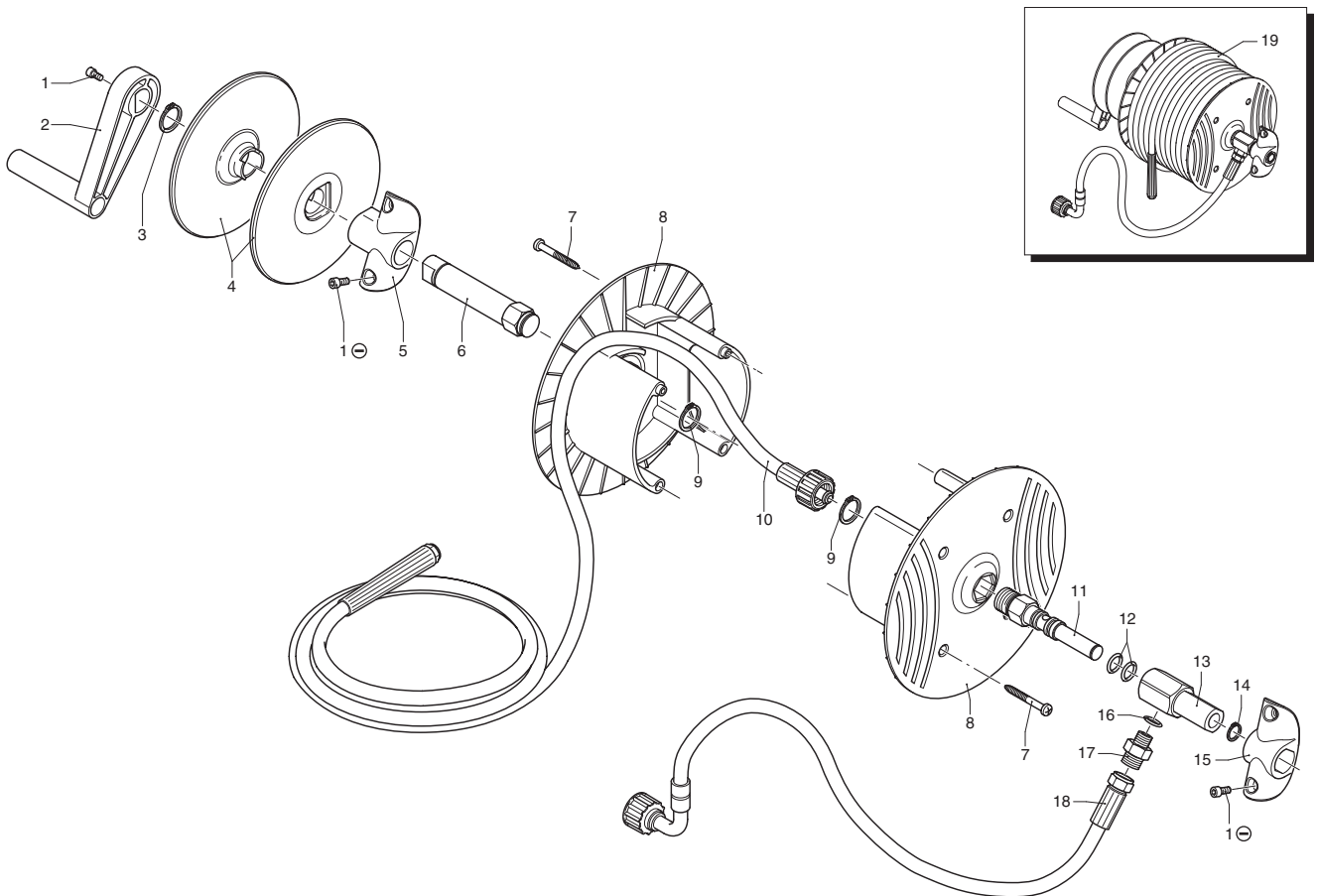
| F=KIT 2812<br>OR<br>O-Rings |      |      |      |      |      |      |      |
|-----------------------------|------|------|------|------|------|------|------|
| Pos.                        | Q.ty | Pos. | Q.ty | Pos. | Q.ty | Pos. | Q.ty |
| 9                           | 1    | 17   | 2    | 35   | 1    |      |      |
| 10                          | 1    | 20   | 1    | 42   | 1    |      |      |
| 13                          | 1    | 22   | 2    | 44   | 1    |      |      |
| 14                          | 1    | 24   | 1    |      |      |      |      |
| 15                          | 1    | 25   | 1    |      |      |      |      |
| 16                          | 1    | 28   | 1    |      |      |      |      |

| Pos. | Q.ty | Pos. | Q.ty | Pos. | Q.ty | Pos. | Q.ty |
|------|------|------|------|------|------|------|------|
|      |      |      |      |      |      |      |      |

### SIMBOLOGIA - SYMBOLS

|  |  |  |  |  |  |  |  |
|--|--|--|--|--|--|--|--|
|  |  |  |  |  |  |  |  |
|--|--|--|--|--|--|--|--|





UN002407-LA

| Pos. | Cod. Part n° | Denominazione          | Description        | Q.tà Q.ty | Note Vedi / See |
|------|--------------|------------------------|--------------------|-----------|-----------------|
| 1    | 2360360      | Vite TCEI M5x10        | Screw              | 1         |                 |
| 2    | 2360150      | Leva avvolgitubo       | Hose reel lever    | 1         |                 |
| 3    | 650500       | Seeger øe 24           | Circlip            | 1         |                 |
| 4    | 2360190      | Disco                  | Disc               | 2         |                 |
| 5    | 2360160      | Staffa sx              | Sx bracket         | 1         |                 |
| 6    | 2360280      | Perno sx               | Sx pin             | 1         |                 |
| 7    | 1681280      | Vite autof. 4,2x50     | Screw              | 4         |                 |
| 8    | 2360230      | Avvolgitubo            | Hose reel          | 2         |                 |
| 9    | 380420       | Seeger øe 22           | Circlip            | 2         |                 |
| 10   | 2360260      | Tubo di mandata        | High pressure hose | 1         | 15 m            |
| 11   | 2360210      | Perno dx               | Dx pin             | 1         |                 |
| 12   | 390080       | OR ø 11,91x2,62        | O-Ring             | 2         |                 |
| 13   | 2360220      | Raccordo               | Fitting            | 1         |                 |
| 14   | 2360320      | Seeger øe 14           | Circlip            | 1         |                 |
| 15   | 2360080      | Staffa dx              | Dx bracket         | 1         |                 |
| 16   | 820510       | OR ø 10,82x1,78        | O-Ring             | 1         |                 |
| 17   | 2360310      | Nipples 1/4"-3/4"G (M) | Threaded adapter   | 1         |                 |
| 18   | 2360250      | Tubo                   | Hose               | 1         |                 |
| 19   | 40120        | Kit avvolgitubo RLW    | RLW hose reel kit  | 1         |                 |

| Pos. | Cod. Part n° | Denominazione | Description | Q.tà Q.ty | Note Vedi / See |
|------|--------------|---------------|-------------|-----------|-----------------|
|      |              |               |             |           |                 |

### SIMBOLOGIA - SYMBOLS

⊖ Non compreso nel premontaggio avvolgitubo  
No part of hose reel pre-assembly