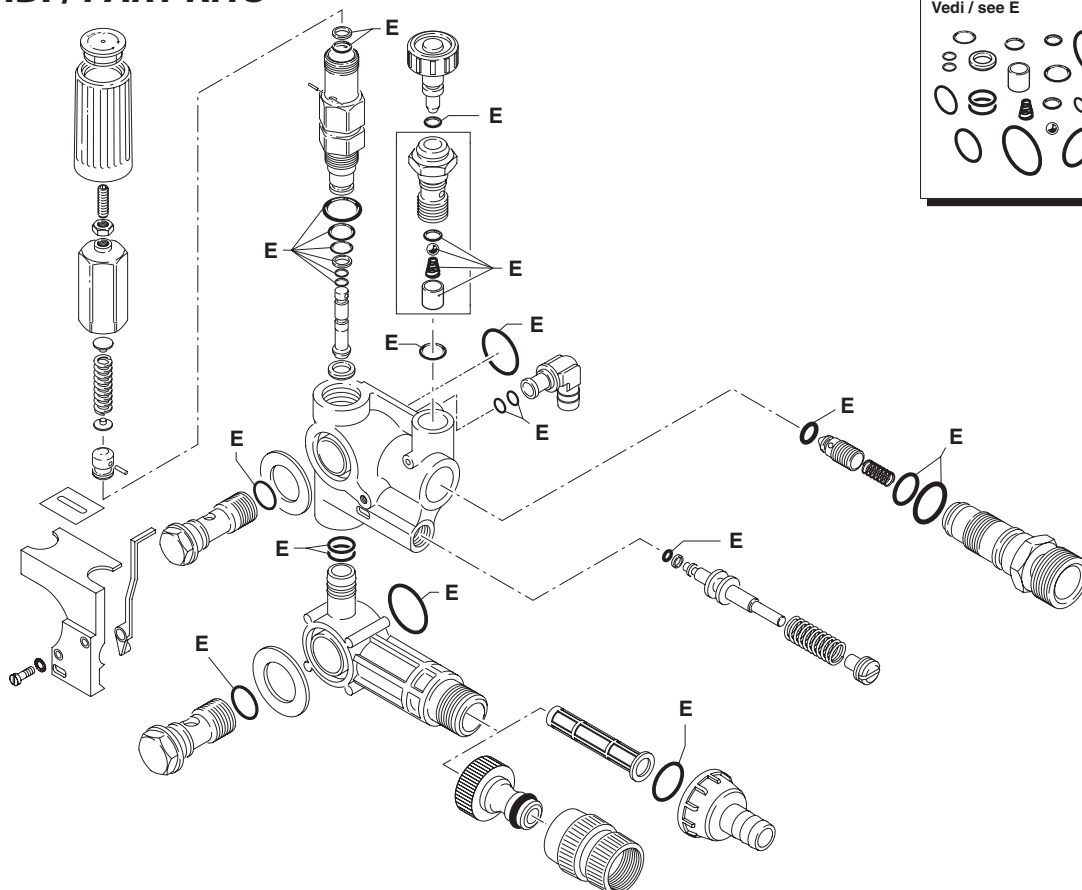


UN002231-IA

KIT RICAMBI / PART KITS



Vedi / see E

UN002232-IA

COMBISET



Pos.	Cod. Part n°	Denominazione	Description	Q.tà Q.ty	Note Vedi / See	Pos.	Cod. Part n°	Denominazione	Description	Q.tà Q.ty	Note Vedi / See
1	1981780	Manopola	Knob	1		43	1250280	Sfera inox	Inox ball	1	
2	1540560	Grano M 6x20	Grub screw	1		44	880840	OR Ø 9,25x1,78	O-Ring	1	
3	1980300	Dado M 6	Nut	1		46	1269041	Corpo iniettore	Injector housing	1	
4	1980390	Inserto manopola	Handle insert	1		48	1269010	Pomello completo	Complete knob	1	
5	1980220	Piattello molla	Spring plate	2		49	1981770	Tappo manopola	Knob plug	1	
6	1271070	Molla	Spring	1		51	1460430	OR Ø 4x2,5	O-Ring	1	
7	1080041	Pistone superiore	Upper piston	1		52	1540170	Otturatore Ø10	Jet	1	
8	1080401	Anello antiestrusione	Ring	1		53	1080091	Molla sfera	Spring	1	
9	1080250	OR Ø 7,66x1,78	O-Ring	1		54	394280	OR Ø 12,42x1,78	O-Ring	1	
10	1080070	Spina	Pin	2		55	1200690	OR Ø 15,6x1,78	O-Ring	1	
11	1980210	Guida pistone	Piston guide	1		56	1270091	Iniettore detergente	Detergent injector	1	●
12	880830	OR Ø 15,54x2,62	O-Ring	1		57	1270101	Iniettore detergente	Detergent injector	1	○
13	740290	OR Ø 14x1,78	O-Ring	1		58	1260820	OR Ø 1,78x1,78	O-Ring	1	
14	800560	OR Ø 8,73x1,78	O-Ring	1		59	1264070	Anello antiestrusione	Ring	1	
15	1080190	OR Ø 2,90x1,78	O-Ring	3		60	1264060	Pistone manometro	Press. gauge piston	1	
16	1271160	Pistone inferiore	Lower piston	1		61	1264090	Molla manometro	Press. gauge spring	1	
17	1080121	Sede by-pass	By-pass seat	1		62	1264080	Tappo M 12x1	Plug	1	
18	1260570	Rondella Øi 17,2	Washer	1		63	1279211	Prem. Combiset	Pre-ass. Combiset	1	●
19	390080	OR Ø11,91x2,62	O-Ring	2		64	1279212	Prem. Combiset	Pre-ass. Combiset	1	○
20	1540270	Vite 3/8" G	Screw	1	Ottone/Brass	70	1271170	Anello antiestrusione	Ring	1	
21	1270790	Adesivo scala	Sticker scale	1	0÷140						
22	395370	Grower 3x5,5x0,9	Grower	2							
23	395270	Vite TCB M 3x8	Screw	2							
24	1260530	Cop. manometro	Pressure gauge cap	1							
25	1260520	Indice	Index	1							
26	1270080	Corpo valvola	Valve housing	1							
27	770140	OR Ø 11,11x1,78	O-Ring	2							
28	1180140	OR Ø 25,07x2,62	O-Ring	1							
29	1260540	Collettore aspirazione	Inlet fitting	1							
30	1260560	Rondella	Washer	1							
31	880270	OR Ø 17,17x1,78	O-Ring	1							
32	1540260	Vite 1/2" G	Screw	1							
33	1270940	Innesto racc.+guarn.	Attachment for tap+gasket	1	1/2" G						
34	1260660	Filtro asp. acqua	Water suction filter	1							
35	40126	Raccordo aspirazione	Suction fitting GHT	1							
36	1200330	Girello 1/2" G	Ring nut	1							
37	550551	Portagomma Ø 12	Hose tail	1							
38	480480	OR Ø 4,48x1,78	O-Ring	3							
39	1260670	Raccordo detergente	Detergent fitting	1							
40	720030	OR Ø 22,22x2,62	O-Ring	1							
41	1262940	Gabbia valvola	Valve cage	1							
42	1250270	Molla valvola	Valve spring	1							

KIT RICAMBI - PART KITS

SIMBOLOGIA - SYMBOLS

E=KIT 2715
OR
O-Rings

● Per / For
COMBISET
140 bar
8÷11 l/min

○ Per / For
COMBISET
140 bar
13÷17 l/min

Pos.	Q.ty	Pos.	Q.ty	Pos.	Q.ty	Pos.	Q.ty
8	1	19	2	41	1	55	1
9	1	27	2	42	1	57	1
12	1	28	1	43	1	70	1
13	1	31	1	44	1		
14	1	38	3	51	1		
15	3	40	1	54	1		

Pos.	Q.ty	Pos.	Q.ty	Pos.	Q.ty	Pos.	Q.ty