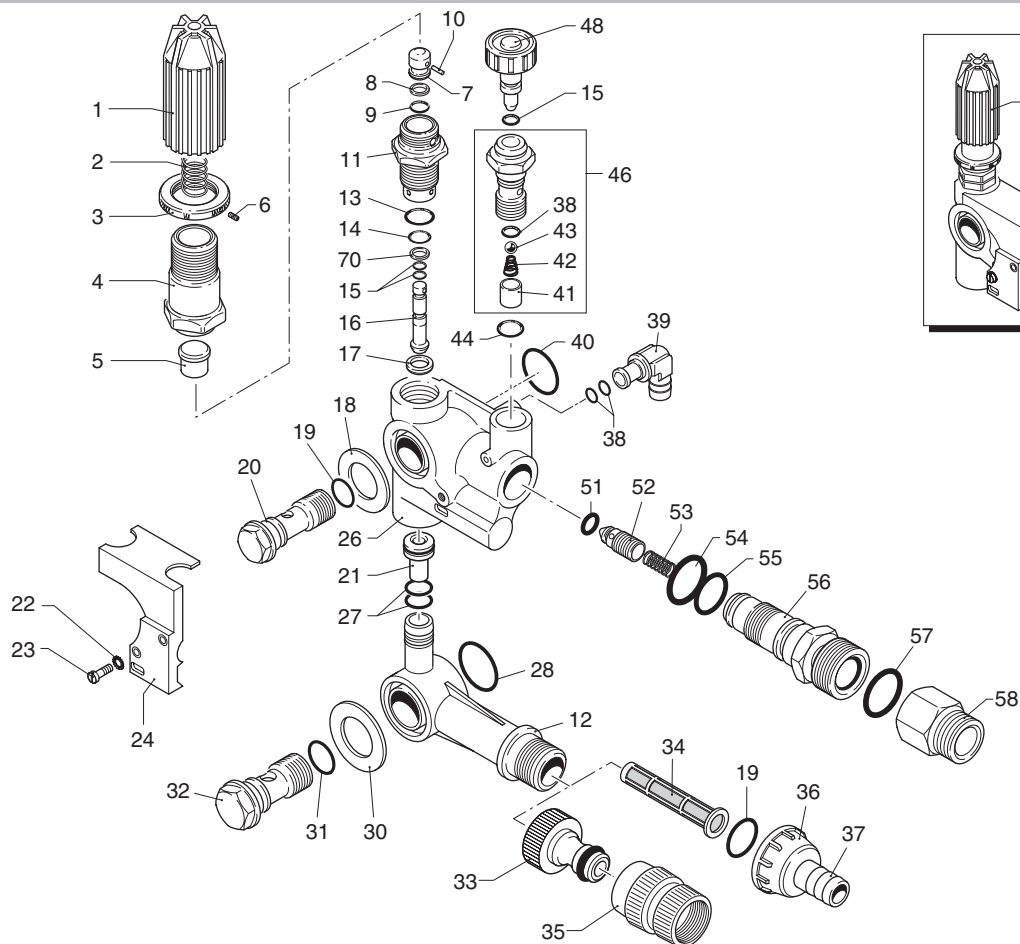
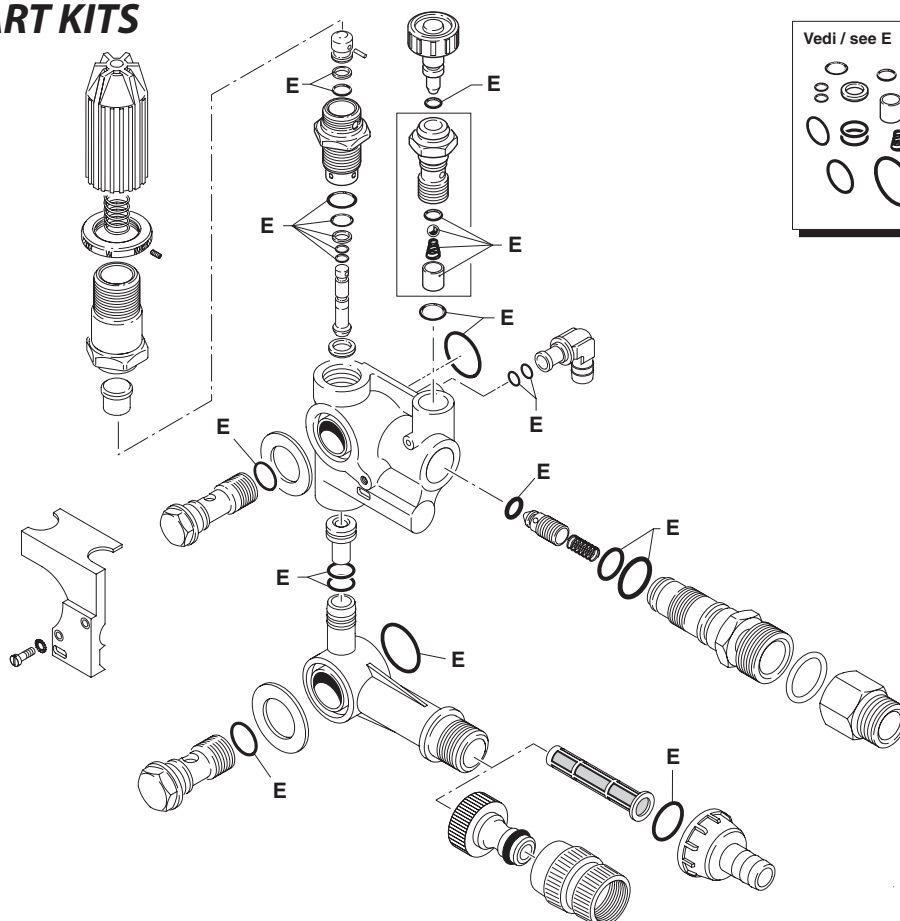


# COMBISET B



UN002233-1A

## KIT RICAMBI / PART KITS



UN002234-1A

# COMBISET B



Pos.	Cod. Part n°	Denominazione	Description	Q.tà Q.ty	Note Vedi / See	Pos.	Cod. Part n°	Denominazione	Description	Q.tà Q.ty	Note Vedi / See
1	1080331	Manopola	Knob	1		44	880840	OR ø 9,25x1,78	O-Ring	1	
2	1271070	Molla	Spring	1		46	1269041	Corpo iniettore	Injector housing	1	
3	1080350	Ghiera	Ring nut	1		48	1269010	Pomello completo	Complete knob	1	
4	1080340	Guida molla	Spring guiding	1		51	1460430	OR ø 4x2,5	O-Ring	1	
5	1260701	Piattello	Plate	1		52	1540170	Otturatore	Jet	1	
6	1080360	Grano M 3x4	Grub screw	1		53	1080091	Molla sfera	Spring	1	
7	1080041	Pistone superiore	Upper piston	1		54	394280	OR ø 12,42x1,78	O-Ring	1	
8	1080401	Anello antiestrusione	Ring	1		55	1200690	OR ø 15,6x1,78	O-Ring	1	
9	1080250	OR ø 7,66x1,78	O-Ring	1		56	1270091	Iniettore detergente	Detergent injector	1	● ■
10	1080070	Spina	Pin	1			1270101	Iniettore detergente	Detergent injector	1	○ □
11	1260730	Guida pistone	Piston guiding	1			1270141	Iniettore detergente	Detergent injector	1	▼ +
12	1265890	Collettore aspirazione	Inlet fitting	1			1270151	Iniettore detergente	Detergent injector	1	▲ ×
13	740290	OR ø 14x1,78	O-Ring	1		57	390180	OR ø 18,72x2,62	O-Ring	1	● ○
14	800560	OR ø 8,73x1,78	O-Ring	1		58	1263640	Racc. mandata 3/8" G	Fitting 3/8" G	1	● ○
15	1080190	OR ø 2,90x1,78	O-Ring	3		69	1279224	Prem. Combiset	Pre-ass. Combiset	1	● ■
16	1271160	Pistone inferiore	Lower piston	1			1279223	Prem. Combiset	Pre-ass. Combiset	1	○ □
17	1080121	Sede by-pass	By-pass seat	1			1279222	Prem. Combiset	Pre-ass. Combiset	1	▼ +
18	1260570	Rondella	Washer	1			1279221	Prem. Combiset	Pre-ass. Combiset	1	▲ ×
19	390080	OR ø 11,91x2,62	O-Ring	2		70	1271170	Anello antiestrusione	Ring	1	
20	1540270	Vite 3/8" G	Screw	1	Ottone/Brass						
	1540430	Vite 3/8" G	Screw	1	Inox/Steel						
21	1380570	Boccola	Bushing	1	+ ×						
22	395370	Grower 3x5,5x0,9	Grower	2	Optional						
23	395270	Vite TCB M 3x8	Screw	2	Optional						
24	1260531	Coperchio manometro	Pressure gauge cap	1	Optional						
26	1271640	Corpo valvola	Valve housing	1							
27	770140	OR ø 11,11x1,78	O-Ring	2							
28	1180140	OR ø 25,07x2,62	O-Ring	1							
30	1260560	Rondella	Washer	1							
31	880270	OR ø 17,17x1,78	O-Ring	1							
32	1540260	Vite 1/2" G	Screw	1	Ottone/Brass						
33	1270940	Innesto racc. +guarn.	Attachment for tap+gasket	1	1/2" G						
34	1260660	Filtro asp. acqua	Water suction filter	1							
35	40126	Raccordo aspirazione	Suction fitting GHT	1							
36	1200330	Girello 1/2" G	Ring nut	1							
37	550551	Portagomma ø 12	Hose tail	1							
38	480480	OR ø 4,48x1,78	O-Ring	3							
39	1260670	Raccordo detergente	Detergent fitting	1							
40	720030	OR ø 22,22x2,62	O-Ring	1							
41	1262940	Gabbia valvola	Valve cage	1							
42	1250270	Molla valvola	Valve spring	1							
43	1250280	Sfera inox	Inox ball	1							

## KIT RICAMBI - PART KITS

E=KIT 2715 OR O-Rings							
Pos.	Q.ty	Pos.	Q.ty	Pos.	Q.ty	Pos.	Q.ty
8	1	27	2	42	1	70	1
9	1	28	1	43	1		
13	1	31	1	44	1		
14	1	38	3	51	1		
15	3	40	1	54	1		
19	2	41	1	55	1		

Pos.	Q.ty	Pos.	Q.ty	Pos.	Q.ty	Pos.	Q.ty

## SIMBOLOGIA - SYMBOLS

● Per / For <b>COMBISET B</b> 3/8" G - 140 bar 8÷11 l/min	○ Per / For <b>COMBISET B</b> 3/8" G - 140 bar 13÷16 l/min	▼ Per / For <b>COMBISET B</b> 3/8" G - 180 bar 11 l/min	▲ Per / For <b>COMBISET B</b> 3/8" G - 180 bar 13÷16 l/min
■ Per / For <b>COMBISET B</b> M 22 - 140 bar 8÷11 l/min	□ Per / For <b>COMBISET B</b> M 22 - 140 bar 13÷16 l/min	+ Per / For <b>COMBISET B</b> 3/8" G - 180 bar 11 l/min For RK series	× Per / For <b>COMBISET B</b> 3/8" G - 180 bar 13÷16 l/min For RK series