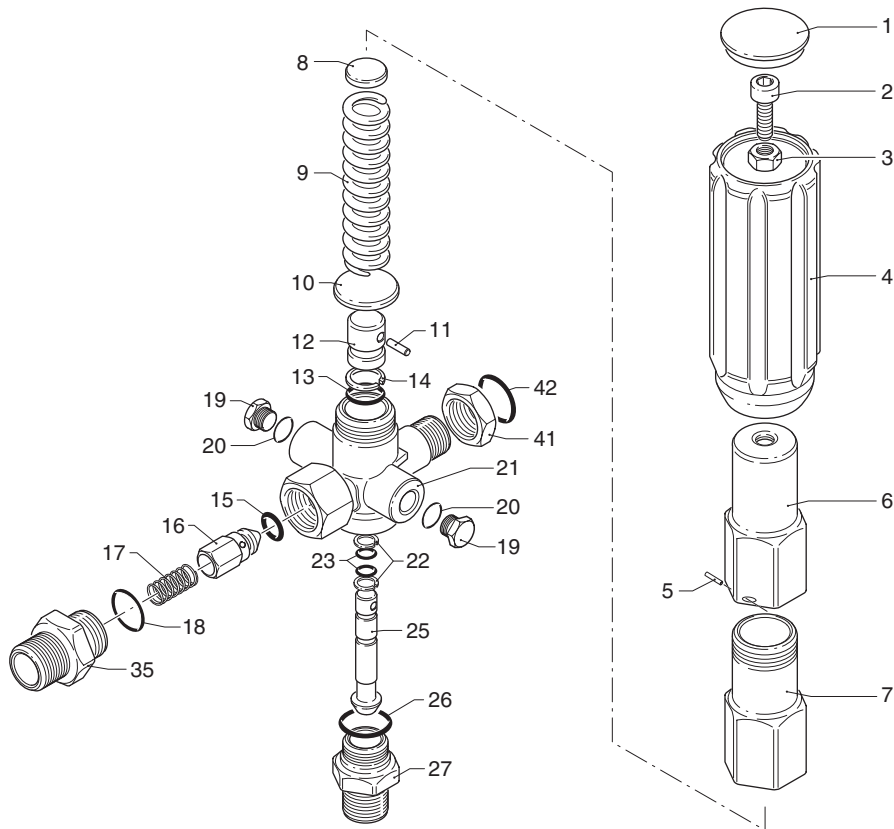
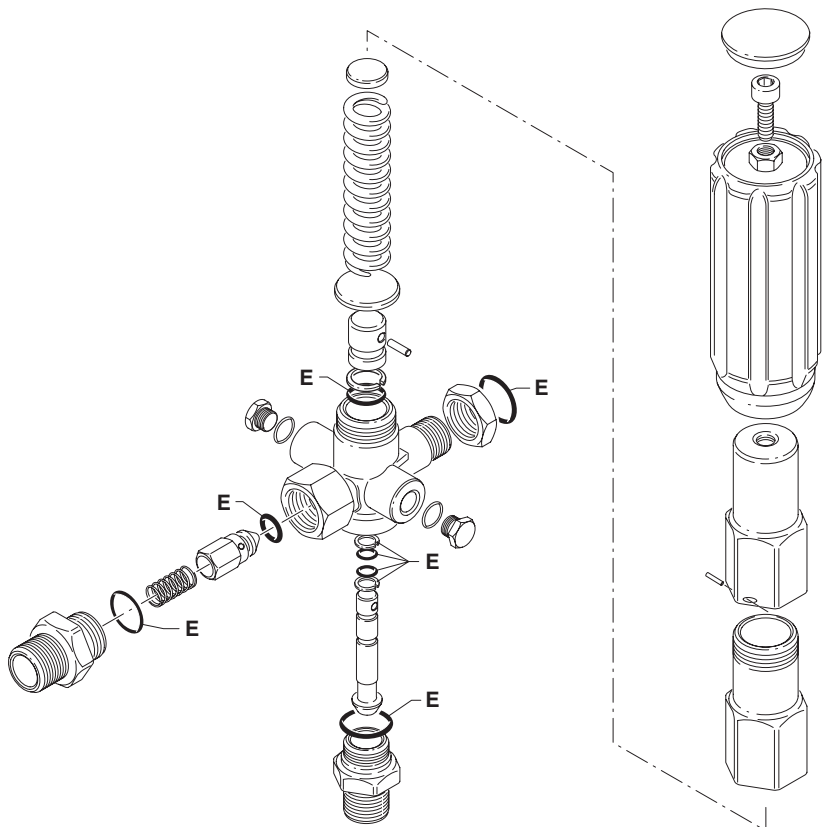


# GYMATIC 3/A C



UN002261-IA

## KIT RICAMBI / PART KITS



Vedi / see E



UN002262-IA

