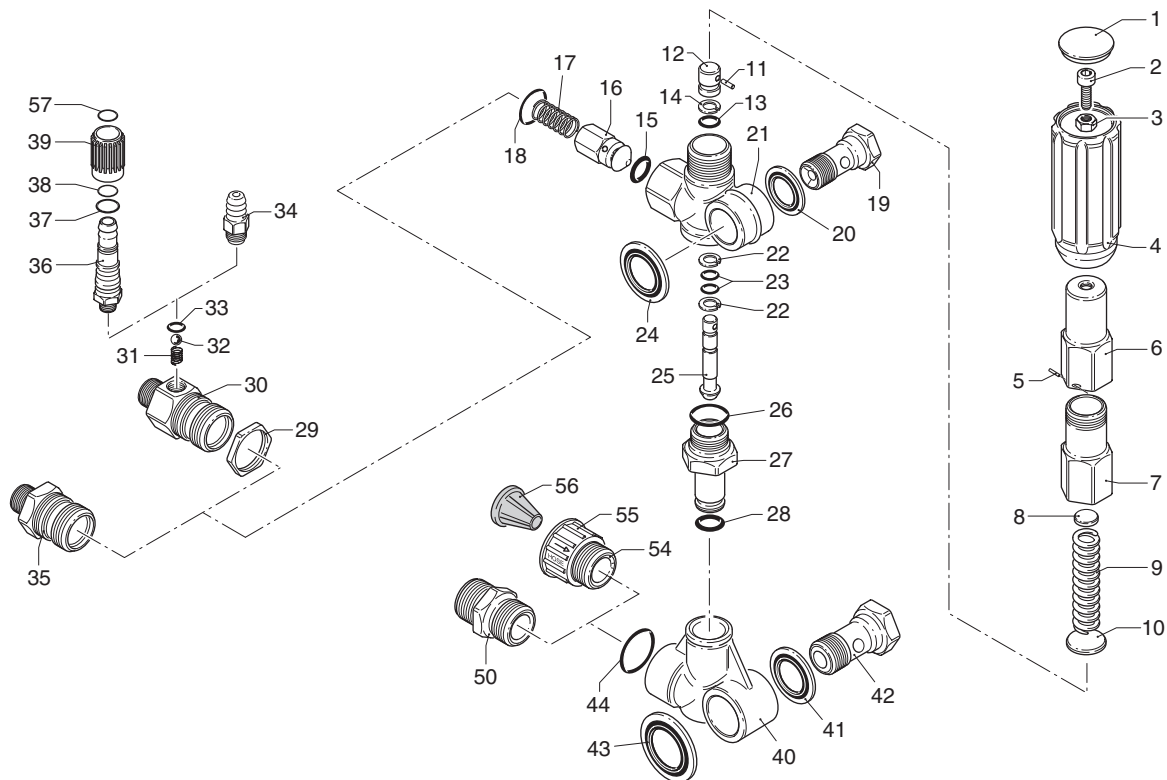
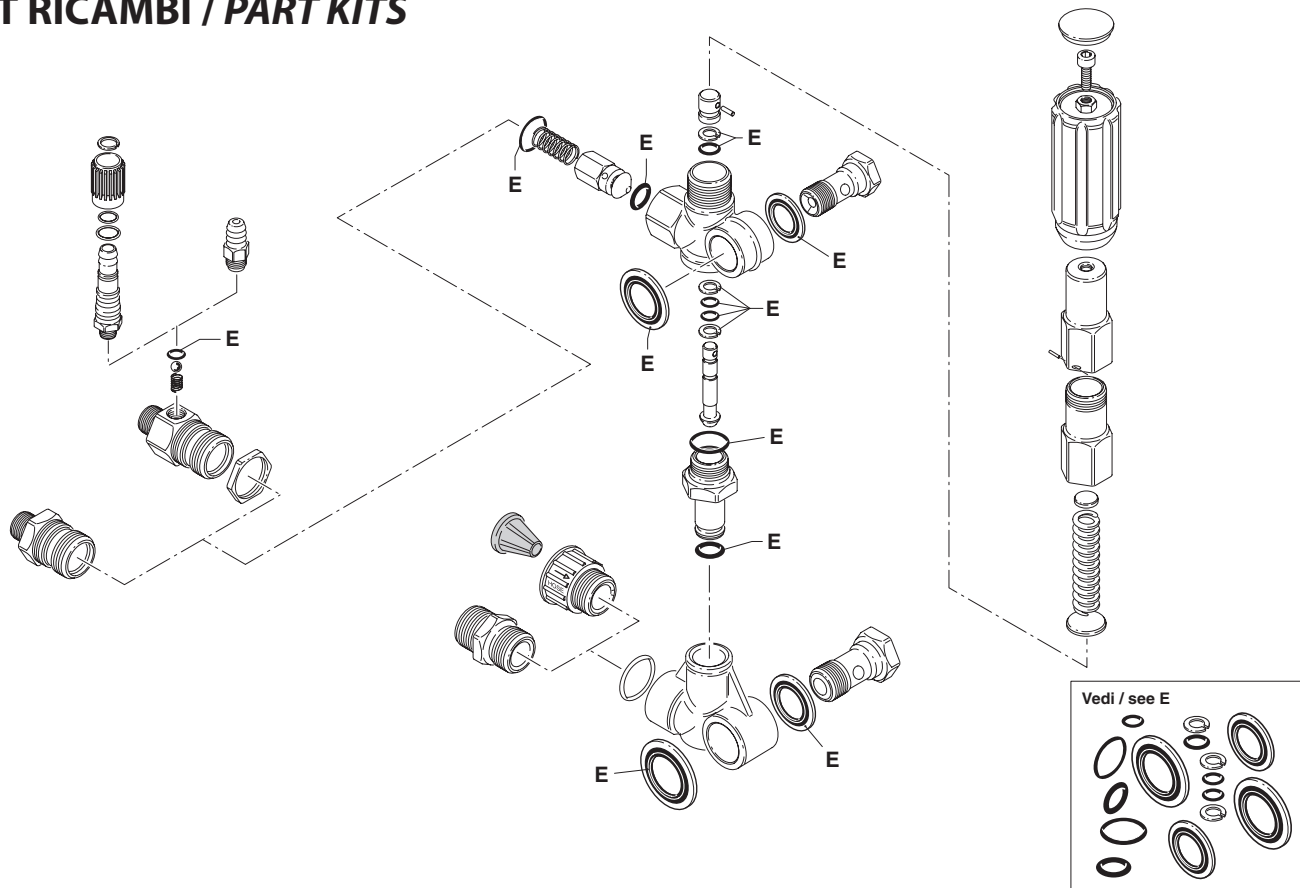


GYMATIC 3/B



UN002263-1A

KIT RICAMBI / PART KITS



UN002264-1A

GYMATIC 3/B



Pos.	Cod. Part n°	Denominazione	Description	Q.tà Q.ty	Note Vedi / See	Pos.	Cod. Part n°	Denominazione	Description	Q.tà Q.ty	Note Vedi / See
1	1560580	Tappo manopola	Knob plug	1		39	1560670	Manopola reg.det.	Detergent reg. knob	1	▲
2	180030	Vite TCEI M 8x20	Screw	1		40	1540020	Corpo by-pass	By-pass housing	1	
3	1660210	Dado M 8	Nut	1		41	1540120	Rondella tenuta	Washer	1	Ø 1/2"
4	1560400	Manopola	Handle	1		42	1540090	Raccordo 1/2" G	Fitting 1/2" G	1	
5	1080070	Spina	Pin	1		43	1540200	Raccordo 1/2" NPT	Fitting 1/2" NPT	1	
6	1560420	Vite di regolazione	Adjusting screw	1		44	1560290	Rondella tenuta	Washer	1	Ø 1/2"
7	1560410	Guida molla	Spring guide	1		50	480440	OR Ø 17,13x2,62	O-Ring	1	
8	1560440	Piattello	PLate	1		54	1540050	Raccordo 1/2" G	Fitting 1/2" G	1	
9	1560350	Molla	Spring	1		55	1560310	Raccordo	Fitting	1	Optional
10	1080610	Piattello molla	Spring plate	1		56	1560300	Girello	Ring nut	1	Optional
11	1080660	Spina	Pin	1		57	1266330	Filtro	Filter	1	Optional
12	1080540	Pistone superiore	Upper piston	1			1560660	Anello	Ring	1	▲
13	391000	OR Ø 9,13x2,62	O-Ring	1							
14	1080640	Anello antiestrusione	Back-up ring	1							
15	1560150	OR Ø 5,94x3,53	O-Ring	1							
16	1560100	Otturatore	Jet	1							
17	1560140	Molla	Spring	1							
18	180101	OR Ø 17,5x2	O-Ring	1							
19	1540080	Raccordo 3/8" G	Fitting 3/8" G	1							
	1540190	Raccordo 3/8" NPT	Fitting 3/8" NPT	1							
20	1540110	Rondella tenuta	Washer	1	Ø 3/8"						
21	1560010	Corpo valvola	Valve housing	1							
22	1080550	Anello antiestrusione	Back-up ring	2							
23	480480	OR Ø 4,48x1,78	O-Ring	2							
24	1560280	Rondella tenuta	Washer	1	Ø 3/8"						
25	1560320	Pistone inferiore	Lower piston	1							
26	880270	OR Ø 17,17x1,78	O-Ring	1							
27	1560051	Niples by-pass	By-pass adaptor	1							
28	390080	OR Ø 11,91x2,62	O-Ring	1							
29	1560510	Controdado	Nut	1	■ ▲						
30	1560500	Raccordo 3/8" G	Fitting 3/8" G	1	Ø 1,8 ■ ▲						
	1560530	Raccordo 3/8" G	Fitting 3/8" G	1	Ø 2,1 ■ ▲						
	1560540	Raccordo 3/8" G	Fitting 3/8" G	1	Ø 2,3 ■ ▲						
31	1560520	Molla	Spring	1	■ ▲						
32	1250280	Sfera	Ball	1	■ ▲						
33	480480	OR Ø 4,48x1,78	O-Ring	1	■ ▲						
34	1560490	Portagomma	Hose tail	1	■						
35	1560110	Niples 3/8" G	Adaptor 3/8" G	1	● Ott./Brass						
	1560111	Niples 3/8" G	Adaptor 3/8" G	1	● Inox/Steel						
36	1560650	Portagomma	Hose tail	1	▲						
37	800560	OR Ø 8,73x1,78	O-Ring	1	▲						
38	480560	OR Ø 6,75x1,78	O-Ring	1	▲						

KIT RICAMBI - PART KITS

E=KIT 2611 OR O-Rings							
Pos.	Q.ty	Pos.	Q.ty	Pos.	Q.ty	Pos.	Q.ty
13	1	23	2	43	1		
14	1	24	1				
15	1	26	1				
18	1	28	1				
20	1	33	1				
22	2	41	1				

Pos.	Q.ty	Pos.	Q.ty	Pos.	Q.ty	Pos.	Q.ty

SIMBOLOGIA - SYMBOLS

● Per / For
GYMATIC 3/B
MAX 250 bar

■ Per / For
GYMATIC 3/B
+ ID
MAX 250 bar

▲ Per / For
GYMATIC 3/B
+ IDR
MAX 250 bar