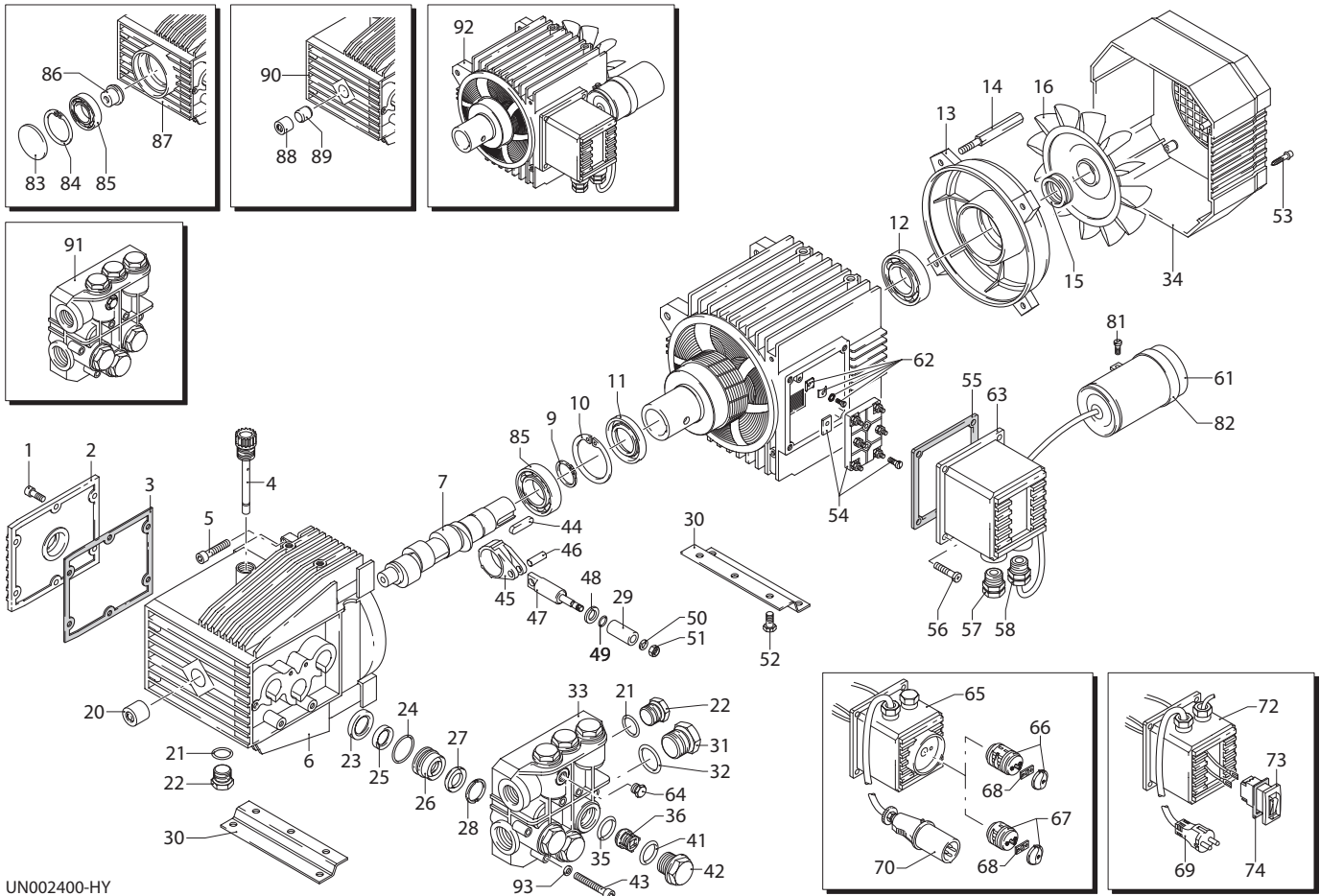


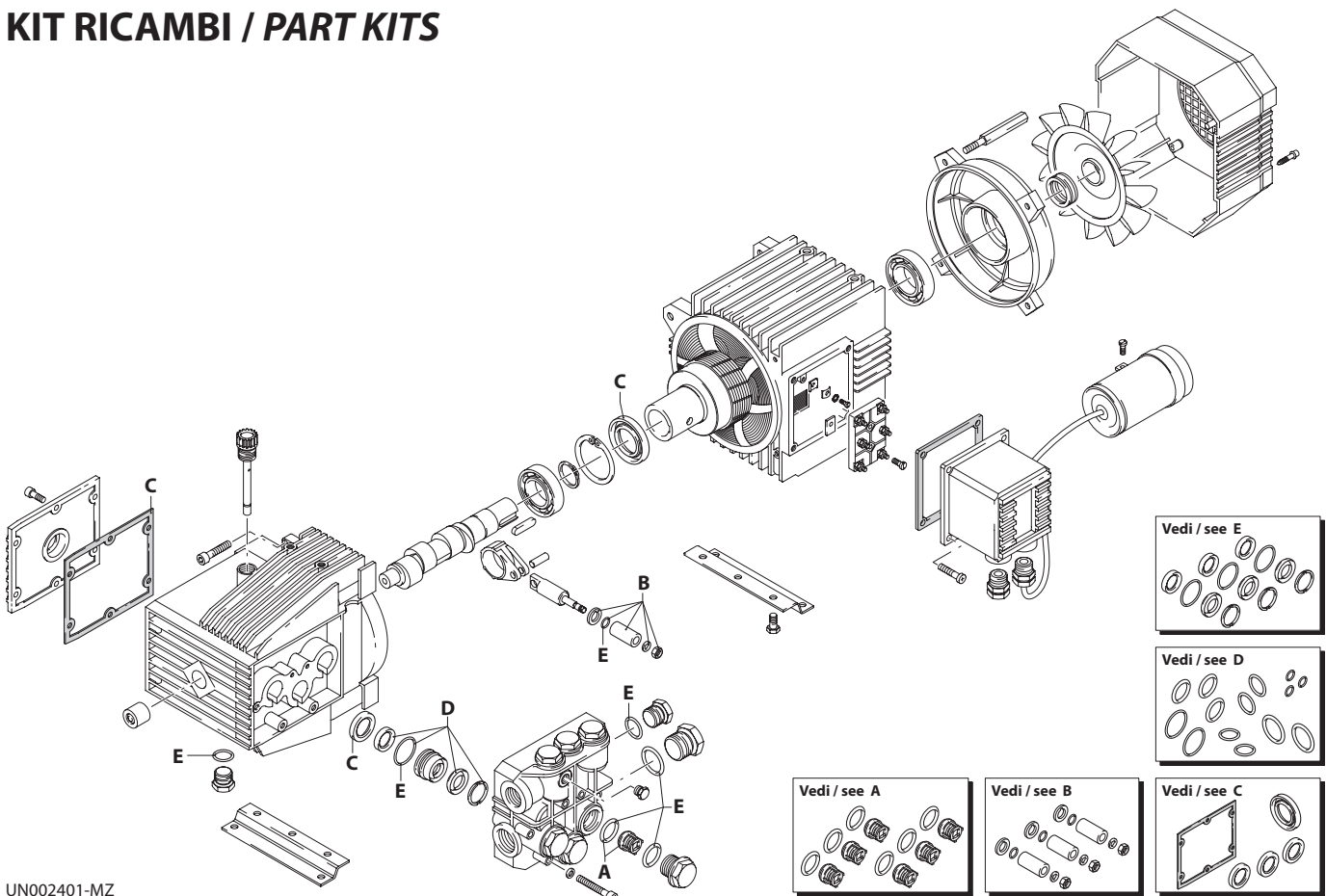
# HPE

# 2800rpm



UN002400-HY

## KIT RICAMBI / PART KITS



UN002401-MZ

| Pos. | Cod. Part n° | Denominazione         | Description             | Q.tà Q.ty | Note Vedi / See | Pos. | Cod. Part n° | Denominazione            | Description              | Q.tà Q.ty | Note Vedi / See |
|------|--------------|-----------------------|-------------------------|-----------|-----------------|------|--------------|--------------------------|--------------------------|-----------|-----------------|
| 1    | 1260760      | Vite TCEI M 5x20      | Screw                   | 6         |                 | 48   | 1260091      | Disco separatore         | Spacer                   | 3         |                 |
| 2    | 1269101      | Coperchio completo    | Complete cover          | 1         |                 | 49   | 480480       | OR Ø 4,48x1,78           | O-Ring                   | 3         |                 |
| 3    | 1260040      | Guarnizione           | Gasket                  | 1         |                 | 50   | 1260100      | Rondella                 | Washer                   | 3         |                 |
| 4    | 1260480      | Tappo carico olio     | Oil cap                 | 1         |                 | 51   | 1260110      | Dado                     | Nut                      | 3         |                 |
| 5    | 1260780      | Vite TCEI M 5x25      | Screw                   | 4         |                 | 52   | 1260470      | Vite TE M 8x10           | Screw                    | 4         |                 |
| 6    | 1260010      | Corpo pompa           | Housing                 | 1         | ▼●◆             | 53   | 1261551      | Vite autof.ab 3,9x13     | Screw                    | 4         |                 |
| 7    | 1260170      | Albero eccentrico     | Crankshaft              | 1         | ○□              | 54   | 1261720      | Morsettiera              | 6 stud terminal block    | 1         |                 |
|      | 1321790      | Albero eccentrico     | Crankshaft              | 1         | ▼▲              | 55   | 1262200      | Guarnizione              | Gasket                   | 1         |                 |
|      | 1260180      | Albero eccentrico     | Crankshaft              | 1         | ●■              | 56   | 1261560      | Vite autof. 3,9x16       | Screw                    | 4         |                 |
|      | 1260190      | Albero eccentrico     | Crankshaft              | 1         | ◆×              | 57   | 1271950      | Fermacavo                | Cable retainer           | 1         | 1~              |
| 9    | 1260770      | Anello seeger Øe 25   | Circlip                 | 1         |                 | 58   | 1271940      | Fermacavo                | Cable retainer           | 1         | 3~              |
| 10   | 1260790      | Anello seeger Øi 52   | Circlip                 | 1         |                 |      | 1269090      | Fermacavo                | Cable retainer           | 1         | 1~              |
| 11   | 1260750      | Anello tenuta         | Seal                    | 1         |                 |      | 1271930      | Fermacavo                | Cable retainer           | 1         | 3~              |
| 12   | 1260950      | Cuscinetto            | Bearing                 | 1         |                 | 61   | 1266810      | Condensatore 50µF        | Capacitor 50µF           | 1         | 1~              |
| 13   | 1260960      | Scudo motore          | Motor shield            | 1         |                 | 62   | 1269100      | Morsetto di terra        | Earh terminal            | 1         |                 |
| 14   | 1260360      | Colonna               | Stud bold               | 4         |                 | 63   | 1261710      | Scatola morsettiera      | Terminal box             | 1         |                 |
| 15   | 1260970      | Anello tenuta v.ring  | V-ring seal             | 1         |                 | 64   | 620301       | Tappo 1/8" G conico      | Plug                     | 1         |                 |
| 16   | 1260300      | Ventola               | Fan                     | 1         |                 | 65   | 1261410      | Scatola int. rotativo    | Switch box               | 1         | Optional        |
| 20   | 1260050      | Boccola a rullini     | Roller bearing          | 1         | ▼●◆             | 66   | 1261230      | Interr. rotativo tripol. | Three-pole rotaty switch | 1         | 3~ Optional     |
| 21   | 740290       | OR Ø 14x1,78          | O-Ring                  | 2         |                 | 67   | 1261240      | Interr. rotativo bipol.  | Bipolar-rotaty switch    | 1         | 1~ Optional     |
| 22   | 1980740      | Tappo 3/8" G          | Plug                    | 2         | Ottone/Brass    | 68   | 1265180      | Guarnizione              | Gasket                   | 1         | Optional        |
| 23   | 1260460      | Anello tenuta         | Seal                    | 3         |                 | 69   | 1261210      | Cavo con spina           | Cable with plug          | 1         | 1~ Optional     |
| 24   | 1260420      | OR Ø 26,70x1,78       | O-Ring                  | 3         |                 | 70   | 1266530      | Cavo con spina           | Cable with plug          | 1         | 3~ Optional     |
| 25   | 1260440      | Guarnizione           | Gasket                  | 3         |                 | 72   | 1260340      | Scatola interruttore     | Switch box               | 1         | 1~ Optional     |
| 26   | 1260151      | Guida pistone         | Piston guide            | 3         |                 | 73   | 1262380      | Interr. luminoso 9 A     | Luminous switch 9 A      | 1         | 1~ Optional     |
| 27   | 1271650      | Guarnizione           | Gasket                  | 3         |                 |      | 1262180      | Interr. luminoso 12 A    | Luminous switch 12 A     | 1         | 1~ Optional     |
| 28   | 1260141      | Anello appoggio       | Support ring            | 3         | ○▼▲◆            |      | 1263790      | Interr. luminoso 14 A    | Luminous switch 14 A     | 1         | 1~ Optional     |
|      | 1520120      | Anello appoggio       | Support ring            | 3         | □■×             |      | 1263110      | Interr. luminoso 16 A    | Luminous switch 16 A     | 1         | 1~ Optional     |
| 29   | 1260120      | Pistone               | Piston                  | 3         |                 | 74   | 1265080      | Guarnizione interr.      | Gasket                   | 1         | Optional        |
| 30   | 1260830      | Piede                 | Base                    | 2         |                 | 81   | 1260810      | Vite TCTC M 4x10         | Screw                    | 1         | 1~              |
| 31   | 820361       | Tappo 1/2" G          | Plug                    | 1         |                 | 82   | 1340280      | Fascetta                 | Clamp                    | 1         | 1~              |
| 32   | 180101       | OR Ø 17,5x2           | O-Ring                  | 1         |                 | 83   | 1266740      | Cappello                 | Cap                      | 1         | ■×              |
| 33   | 1262226      | Testa pompa           | Pump head               | 1         | ▼▲              | 84   | 1260790      | Anello seeger            | Circlip                  | 1         | ■×              |
|      | 1260021      | Testa pompa           | Pump head               | 1         | ○●◆             | 85   | 1320370      | Cuscinetto               | Bearing                  | 2         | ■×              |
|      | 1320022      | Testa pompa           | Pump head               | 1         | □■×             | 86   | 1320330      | Boccola                  | Bushing                  | 1         | ■×              |
| 34   | 1261760      | Copriventola          | Fan housing             | 1         |                 | 87   | 1260012      | Corpo pompa              | Pump housing             | 1         | ■×              |
| 35   | 880830       | OR Ø 15,54x2,62       | O-Ring                  | 6         |                 | 88   | 1264010      | Cuscinetto               | Bearing                  | 1         | ○□▲             |
| 36   | 1269050      | Valvola completa      | Complete valve          | 6         |                 | 89   | 1264000      | Anello interno           | Internal ring            | 1         | ○□▲             |
| 41   | 960160       | OR Ø 17,86x2,62       | O-Ring                  | 6         |                 | 90   | 1260011      | Corpo pompa              | Pump housing             | 1         | ○□▲             |
| 42   | 1260162      | Tappo                 | Plug                    | 6         |                 | 91   | 1269246      | Prem. testa pompa        | Pump head pre-ass.       | 1         | ▼▲              |
|      | 1260161      | Tappo con foro 1/8" G | Plug with 1/8" G outlet | -         | Optional        |      | 1269218      | Prem. testa pompa        | Pump head pre-ass.       | 1         | ○●◆             |
| 43   | 680570       | Vite TCEI M 6x60      | Screw                   | 6         |                 |      | 1269221      | Prem. testa pompa        | Pump head pre-ass.       | 1         | □■×             |
| 44   | 1380520      | Linguetta             | Key                     | 1         |                 | 92   | 4737         | Mot. elettrico           | Electric motor           | 1         | ○▼●             |
| 45   | 1260060      | Biella Alluminio      | Aluminium con rod       | 3         |                 |      | 4932         | Mot. elettrico           | Electric motor           | 1         | □▲◆             |
|      | 1320140      | Biella Bronzo         | Bronze con rod          | 3         |                 |      | 4899         | Mot. elettrico           | Electric motor           | 1         | ■×              |
| 46   | 1260080      | Spinotto              | Piston pin              | 3         |                 | 93   | 1381550      | Rondella                 | Washer                   | 6         |                 |
| 47   | 1260070      | Pistone di guida      | Piston rod              | 3         |                 |      |              |                          |                          |           |                 |

## KIT RICAMBI - PART KITS

| A=KIT 1864<br>valvole<br>valves |      | B=KIT 2628<br>pistoni<br>pistons |      | C=KIT 1865<br>tenute olio<br>oil seals |      | D=KIT 1866<br>tenute acqua<br>water seals |      |
|---------------------------------|------|----------------------------------|------|--|------|---|------|
| Pos.                            | Q.ty | Pos.                             | Q.ty | Pos.                                   | Q.ty | Pos.                                      | Q.ty |
| 35                              | 6    | 29                               | 3    | 3                                      | 1    | 24  | 3    |
| 26                              | 6    | 48                               | 3    | 11                                     | 1    | 25  | 3    |
|                                 |      | 49                               | 3    | 23                                     | 3    | 27  | 3    |
|                                 |      | 50                               | 3    |  |      | 28  | 3    |
|                                 |      | 51                               | 3    |  |      |   |      |

| E=KIT 2040<br>OR<br>O-Rings |      |      |      |      |      |      |      |
|-----------------------------|------|------|------|------|------|------|------|
| Pos.                        | Q.ty | Pos. | Q.ty | Pos. | Q.ty | Pos. | Q.ty |
| 21                          | 2    |      |      |      |      |      |      |
| 24                          | 3    |      |      |      |      |      |      |
| 32                          | 1    |      |      |      |      |      |      |
| 35                          | 6    |      |      |      |      |      |      |
| 41                          | 6    |      |      |      |      |      |      |
| 49                          | 3    |      |      |      |      |      |      |

## SIMBOLOGIA - SYMBOLS

|                           |                            |                                       |                          |
|---------------------------|----------------------------|---------------------------------------|--------------------------|
| ○ Per / For<br>HPE 8.12 A | ▼ Per / For<br>HPE 10.10   | ● Per / For<br>HPE 11.09<br>HPE 11.11 | ◆ Per / For<br>HPE 13.09 |
| □ Per / For<br>HPE 8.14   | ▲ Per / For<br>HPE 10.12 A | ■ Per / For<br>HPE 11.14              | ✱ Per / For<br>HPE 13.12 |

## PARTI SPECIALI IN VITON SPECIAL PARTS

| Cod. Part n° | Denominazione Description     | Q.tà Q.ty |
|--------------|-------------------------------|-----------|
| 2029         | Tenute acqua/Water seals ø 15 | 1         |
| 2030         | Tenute acqua/Water seals ø 18 | 1         |