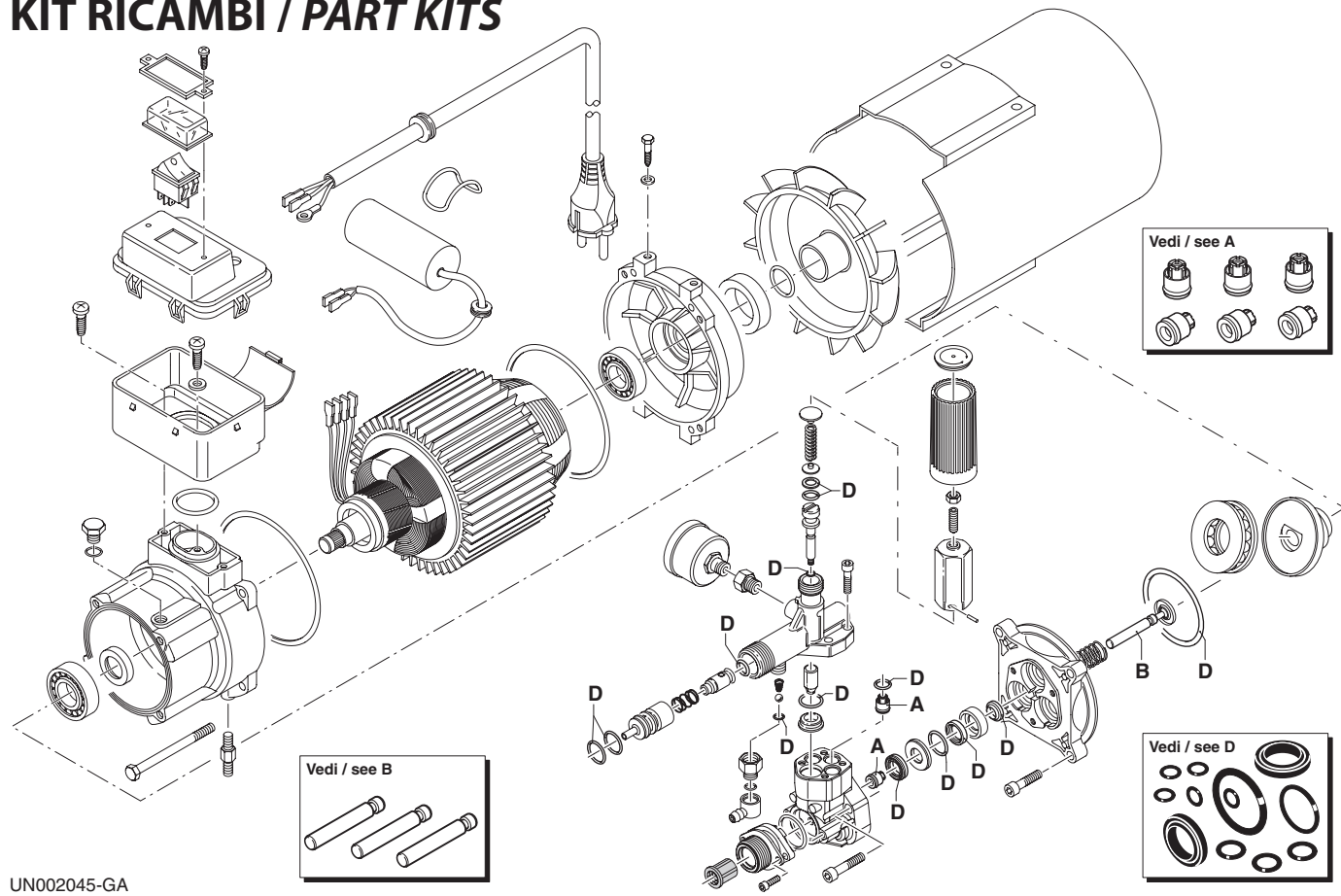


UN002044-GA

KIT RICAMBI / PART KITS



UN002045-GA

| Pos. | Cod. Part n° | Denominazione | Description | Q.tà Q.ty | Note Vedi / See | Pos. | Cod. Part n° | Denominazione | Description | Q.tà Q.ty | Note Vedi / See |
|------|--------------|-------------------------|---------------------------|-----------|-----------------|------|--------------|-------------------------|--------------------|-----------|-----------------|
| 1 | 1340260 | Filtro asp. acqua | Water suction filter | 1 | | 52 | 2320180 | Portagomma | Hose tail | 1 | |
| 2 | 2101000 | Vite TCEI M 4x15 | Screw | 2 | Autof. | 53 | 1460430 | OR Ø 4x2,5 | O-Ring | 1 | |
| 3 | 2100540 | Raccordo aspirazione | Suction fitting | 1 | | 54 | 1460260 | Pistone | Piston | 1 | |
| 5 | 550350 | OR Ø 23,81x2,62 | O-Ring | 1 | | 55 | 1540140 | Molla | Spring | 1 | |
| 7 | 2109051 | Valvola completa | Complete valve | 6 | | 56 | 2021540 | Iniettore detergente | Detergent injector | 1 | |
| 8 | 850850 | Vite TCEI M 6x30 | Screw | 3 | | 57 | 820510 | OR Ø 10,82x1,78 | O-Ring | 1 | |
| 9 | 2020120 | Guida pistone Ø 12 | Piston guide | 1 | | 58 | 1465720 | OR Ø 9,75x1,78 | O-Ring | 1 | |
| 10 | 880840 | OR Ø 9,25x1,78 | O-Ring | 3 | | 59 | 40031 | Manometro Ø 40 mm | Pressure gauge | 1 | |
| 11 | 2123 | Testa pompa + OR | Pump head + O-Ring | 1 | | 60 | 1343160 | Prolunga 1/8" G | Extension | 1 | |
| 13 | 1260760 | Vite TCEI M 5x20 | Screw | 4 | Autof. | 61 | 2320060 | Piattello oscillante | Wobble plate | 1 | |
| 14 | 2021810 | Raccordo mandata | Outlet fitting | 1 | ● | 62 | 1461430 | Cuscinetto | Bearing | 1 | |
| 14 | 2021811 | Raccordo mandata | Outlet fitting | 1 | ○ | 63 | 1460530 | Anello tenuta | Seal ring | 1 | |
| 15 | 2200140 | Guarnizione Ø 12x20 | Gasket | 6 | | 64 | 2320090 | Vite TE M 5x110 | Screw | 4 | |
| 16 | 2320080 | Anello app. guarn. Ø 12 | Support ring | 3 | | 65 | 2320020 | Flangia pompa | Flange | 1 | |
| 17 | 770590 | OR Ø 21,95x1,78 | O-Ring | 3 | | 66 | 1460590 | Cuscinetto | Bearing | 1 | |
| 18 | 394280 | OR Ø 12,42x1,78 | O-Ring | 1 | | 67 | 1460040 | Scudo motore | Motor shield | 1 | |
| 19 | 2320070 | Boccola Ø 12 | Bushing | 3 | | 68 | 1461200 | Anello tenuta | Seal ring | 1 | |
| 20 | 1683500 | Anello tenuta | Seal ring | 3 | | 69 | 1460370 | Ventola | Fan | 1 | |
| 21 | 2200210 | Vite TCEI M 6x25 | Screw | 4 | Autof. | 70 | 1760450 | Cavo | Cable | 1 | |
| 22 | 2020150 | Molla | Spring | 3 | | 71 | 2320640 | OR Ø 48,89x2,62 | O-Ring | 1 | |
| 23 | 2020130 | Pistone Ø 12 | Piston | 3 | | 72 | 1982190 | Condensatore 40 mF | Capacitor 40 mF | 1 | |
| 24 | 2020140 | Piattello portamolla | Spring plate | 3 | | 73 | 394280 | OR Ø 12,42x1,78 | O-Ring | 1 | |
| 25 | 2021570 | Cuscinetto | Bearing | 1 | | 74 | 2021480 | Passacavo | Gland | 1 | |
| 28 | 1680680 | OR Ø 95x2 | O-Ring | 1 | | 75 | 1381940 | Cornice interruttore | Switch frame | 1 | |
| 29 | 2101450 | Flangia fissaggio racc. | Inlet fitting plate | 1 | | 76 | 1261570 | Vite autof. 3,9x9,5 | Screw | 2 | |
| 30 | 1461470 | Innesto racc.+guarn. | Attachment for tap+gasket | 1 | 3/4" G(F) | 77 | 1381980 | Cuffia di protezione | Cover | 1 | |
| 31 | 2029738 | Prem. TSS | TSS assembly | 1 | ○ | 78 | 1681120 | Interruttore 8A | Switch 8A | 1 | |
| 32 | 2329413 | Prem. pompa | Pump assembly | 1 | ● | 79 | 2320120 | Coperchio scat. interr. | Switch box cover | 1 | |
| 33 | 2329414 | Prem. pompa TSS | TSS pump assembly | 1 | ○ | 80 | 2020570 | Vite autof. M 4x12 | Screw | 3 | |
| 34 | 2020481 | Sede valvola | Valve seat | 1 | | 81 | 1262400 | Rosetta Ø 4 | Washer | 1 | |
| 35 | 1460150 | Pistone inferiore | Lower piston | 1 | | 82 | 2320130 | Scatola interruttore | Switch box | 1 | ● |
| 36 | 1080190 | OR Ø 2,90x1,78 | O-Ring | 1 | | 82 | 2320131 | Scatola interruttore | Switch box | 1 | ○ |
| 37 | 1460140 | Pistone superiore | Upper piston | 1 | | 83 | 2022150 | Conduttore conness. | Wiring cable | 1 | ○ |
| 38 | 600180 | OR Ø 7,66x1,78 | O-Ring | 1 | | 84 | 660170 | OR Ø 31,42x2,62 | O-Ring | 1 | |
| 39 | 1080401 | Anello antiestrusione | Back-up ring | 1 | | 85 | 1682420 | Tappo olio | Oil dip stick | 1 | ● |
| 40 | 1343450 | Piattello molla | Spring plate | 1 | | 86 | 2000240 | OR Ø 5,23x2,62 | O-Ring | 1 | ● |
| 41 | 1460190 | Molla | Spring | 1 | | 87 | 4627 | Motore | Electric motor | 1 | ● |
| 42 | 1343000 | Piattello molla | Spring plate | 1 | | 87 | 4628 | Motore | Electric motor | 1 | ○ |
| 43 | 1980390 | Inserto manopola | Knob insert | 1 | | 88 | 1460340 | Convogliatore nero | Conveyor | 1 | |
| 44 | 1060120 | Dado M 6 | Nut | 1 | | 89 | 1460460 | Vite TC M 5x16 | Screw | 2 | |
| 45 | 392840 | Grano M 6x16 | Grub screw | 1 | | 90 | 1680960 | Rondella | Washer | 2 | |
| 46 | 1981780 | Manopola | Knob | 1 | | 91 | 1981770 | Tappo manopola | Knob plug | 1 | |
| 47 | 1250270 | Molla valvola | Valve spring | 1 | | 92 | 1462400 | Colonna | Stud bold | 4 | |
| 48 | 1250280 | Sfera inox | Stainelss steel ball | 1 | | 93 | 1080070 | Spina | Pin | 1 | |
| 49 | 480480 | OR Ø 4,48x1,78 | O-Ring | 1 | | | | | | | |
| 50 | 2320210 | Raccordo | Fitting | 1 | | | | | | | |
| 51 | 480560 | OR Ø 6,75x1,78 | O-Ring | 1 | | | | | | | |

KIT RICAMBI - PART KITS

| A=KIT 2577 valvole valves | | B=KIT 2734 pistoni pistons | | | | | |
|---------------------------------|------|----------------------------------|------|------|------|------|------|
| Pos. | Q.ty | Pos. | Q.ty | Pos. | Q.ty | Pos. | Q.ty |
| 7 | 6 | 23 | 3 | | | | |

| D=KIT 2791 tenute acqua water seals | | | | | | | |
|---|------|------|------|------|------|------|------|
| Pos. | Q.ty | Pos. | Q.ty | Pos. | Q.ty | Pos. | Q.ty |
| 10 | 3 | 36 | 1 | 58 | 1 | | |
| 15 | 6 | 38 | 1 | | | | |
| 17 | 3 | 39 | 1 | | | | |
| 18 | 1 | 49 | 1 | | | | |
| 20 | 3 | 53 | 1 | | | | |
| 28 | 1 | 57 | 1 | | | | |

SIMBOLOGIA - SYMBOLS

● Per / For HPF 8.15 REG ○ Per / For HPF 8.15 TSS/REG

⊕ Compreso nel premontaggio TSS / Part of TSS pre-assembly

⦿ Non compreso nel premontaggio motore / No part of pre-assembly el. motor