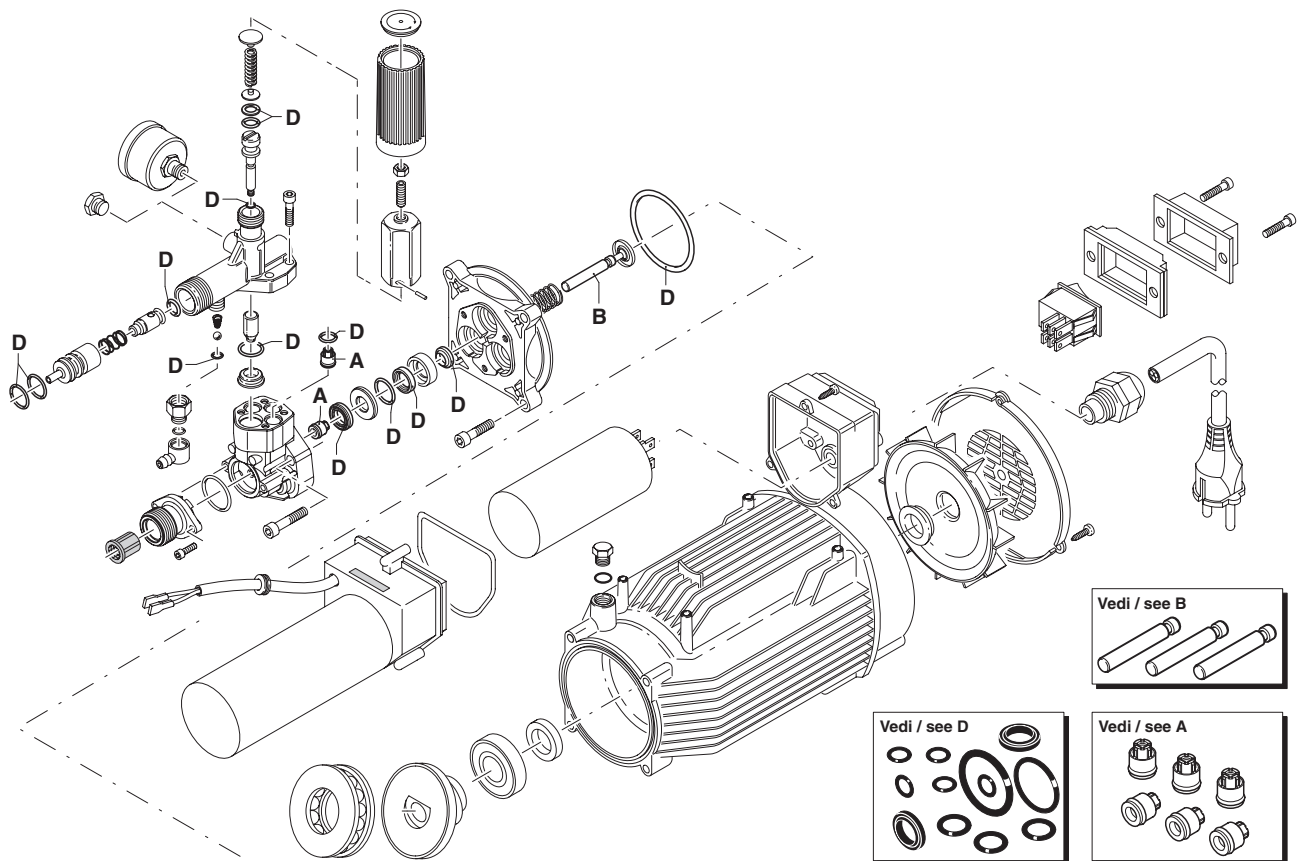


UN002237-1A

KIT RICAMBI / PART KITS



UN002238-1A

Pos.	Cod. Part n°	Denominazione	Description	Q.tà Q.ty	Note Vedi / See	Pos.	Cod. Part n°	Denominazione	Description	Q.tà Q.ty	Note Vedi / See
1	1340260	Filtro asp. acqua	Water suction filter	1		46	1981780	Manopola	Knob	1	
2	2101000	Vite TCEI M 4x15	Screw	2	Autof.	47	1250270	Molla valvola	Valve spring	1	
3	2100540	Raccordo aspirazione	Suction fitting	1		48	1250280	Sfera inox	Stainelss steel ball	1	
5	550350	OR Ø 23,81x2,62	O-Ring	1		49	480480	OR Ø 4,48x1,78	O-Ring	1	
7	2109051	Valvola completa	Complete valve	6		50	2320210	Raccordo	Fitting	1	
8	850850	Vite TCEI M 6x30	Screw	3		51	480560	OR Ø 6,75x1,78	O-Ring	1	
9	2020120	Guida pistone Ø 12	Piston guide	1		52	2320180	Portagomma	Hose tail	1	
10	880840	OR Ø 9,25x1,78	O-Ring	3		53	1460430	OR Ø 4x2,5	O-Ring	1	
11	2123	Testa pompa + OR	Pump head + O-Ring	1		54	1460260	Pistone	Piston	1	
12	1080070	Spina	Pin	1		55	1540140	Molla	Spring	1	
13	1260760	Vite TCEI M 5x20	Screw	4	Autof.	56	2020490	Iniettore detergente	Detergent injector	1	
14	2021810	Raccordo mandata	Outlet fitting	1	●	57	820510	OR Ø 10,82x1,78	O-Ring	1	
14	2021811	Raccordo mandata	Outlet fitting	1	○	58	1465720	OR Ø 9,75x1,78	O-Ring	1	
15	2200140	Guarnizione Ø 12x20	Gasket	6		59	3225	Manometro Ø 40 mm	Pressure gauge	1	Optional
16	2020040	Anello app. guarn.	Gasket support ring	3		60	620301	Tappo 1/8" G	Plug	1	
17	2021740	OR Ø 21,5x2	O-Ring	3		61	1680480	Scatola condensatore	Capacitor box	1	●
18	394280	OR Ø 12,42x1,78	O-Ring	1		61	2020340	Scatola condensatore	Capacitor box	1	○
19	2020030	Boccola Ø 12	Bushing	3		62	850840	OR Ø 62x2	O-Ring	1	
20	1683500	Anello tenuta	Seal ring	3		63	1680670	Condensatore 30 µF	Capacitor 30 µF	1	
21	2200210	Vite TCEI M 6x25	Screw	4	Autof.	64	1261551	Vite autof. AB 3,9x13	Screw	3	
22	2020150	Molla	Spring	3		65	1681120	Interruttore 8A	Switch 8A	1	
23	2020130	Pistone Ø 12	Piston	3		66	1382030	Protezione interr.	Switch cover	1	
24	2020140	Piattello portamolla	Spring plate	3		67	1261570	Vite autof. 3,9x9,5	Screw	2	
25	2021570	Cuscinetto	Bearing	1		68	1381980	Cuffia di protezione	Cover	1	
28	1680680	OR Ø 95x2	O-Ring	1		69	1381940	Cornice interruttore	Switch frame	1	
29	1981770	Tappo manopola	Knob plug	1		70	1682280	Pressacavo	Gland	1	
30	1461470	Innesto racc.+guarn.	Attachment for tap+gasket	1	3/4" G(F)	71	1343400	Cavo	Cable	1	
31	2029738	Prem. TSS	TSS assembly	1	○	72	1682420	Tappo olio	Oil dip stick	1	●
32	2029427	Prem. pompa	Pump assembly	1	●	73	2000240	OR Ø 5,23x2,62	O-Ring	1	●
33	2029428	Prem. pompa TSS	TSS pump assembly	1	○	74	840020	Anello tenuta	Seal	1	
34	2020481	Sede valvola	Valve seat	1		75	1461430	Cuscinetto	Bearing	1	
35	1460150	Pistone inferiore	Lower piston	1		76	1683000	Piattello oscillante	Wobble plate	1	50 Hz
36	1080190	OR Ø 2,90x1,78	O-Ring	1		77	4354	Motore	El. motor	1	●
37	1460140	Pistone superiore	Upper piston	1		77	4873	Motore	El. motor	1	○
38	600180	OR Ø 7,66x1,78	O-Ring	1		78	1680250	Ventola	Fan	1	
39	1080401	Anello antiestrusione	Back-up ring	1		79	1340350	Anello tenuta	Seal	1	
40	1343450	Piattello molla	Spring plate	1		80	1680190	Copriventola	Fan housing	1	
41	1460190	Molla	Spring	1		81	1261570	Vite autof. 3,9x9,5	Screw	3	
42	1343000	Piattello molla	Spring plate	1		82	2020630	Conduttore conness.	Wiring cable	1	○
43	1980390	Inserto manopola	Knob insert	1							
44	1060120	Dado M 6	Nut	1							
45	392840	Grano M 6x16	Grub screw	1							

KIT RICAMBI - PART KITS

A=KIT 2577 valvole valves		B=KIT 2734 pistoni pistons					
Pos.	Q.ty	Pos.	Q.ty	Pos.	Q.ty	Pos.	Q.ty
7	6	23	3				

D=KIT 2791 tenute acqua water seals							
Pos.	Q.ty	Pos.	Q.ty	Pos.	Q.ty	Pos.	Q.ty
10	3	36	1	58	1		
15	6	38	1				
17	3	38	1				
18	1	49	1				
20	3	53	1				
28	1	57	1				

SIMBOLOGIA - SYMBOLS

● Per / For
HPT 8.12 REG

○ Per / For
HPT 8.12 TSS/REG

⊕ Compreso nel premontaggio TSS / Part of TSS pre-assembly

⦿ Non compreso nel premontaggio motore / No part of pre-assembly el. motor