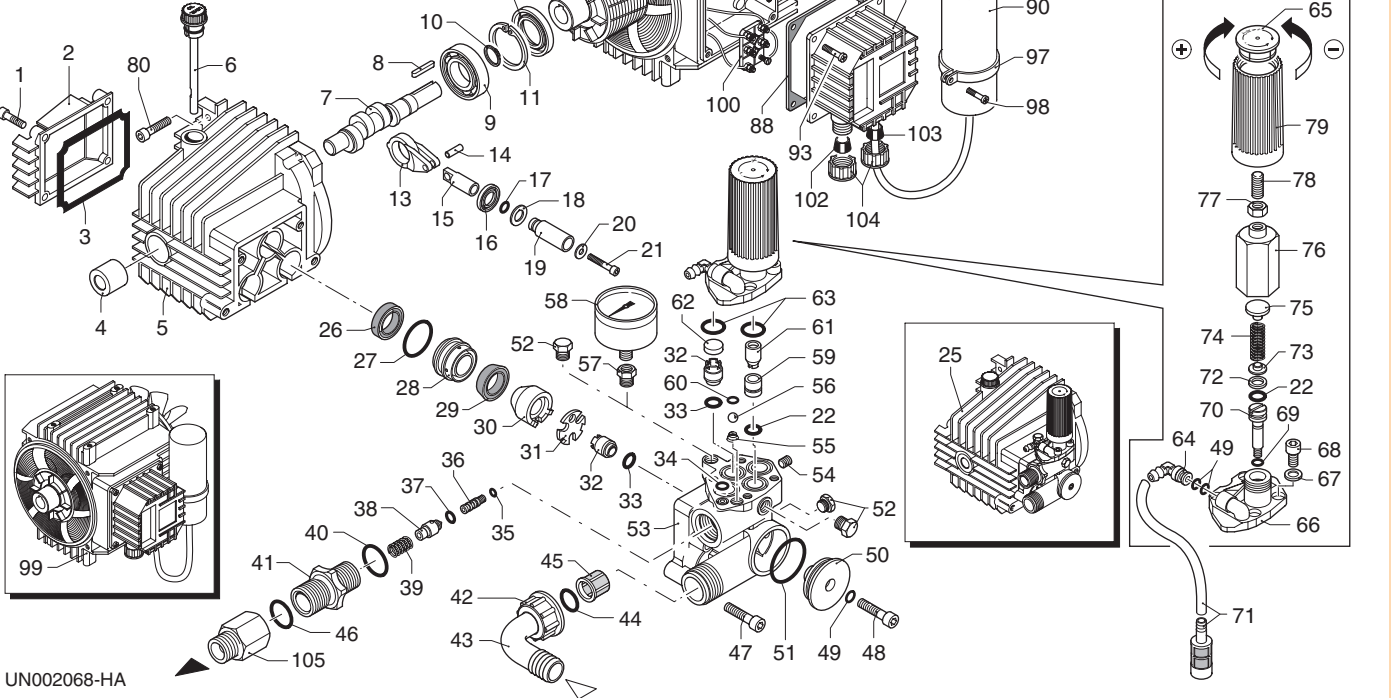
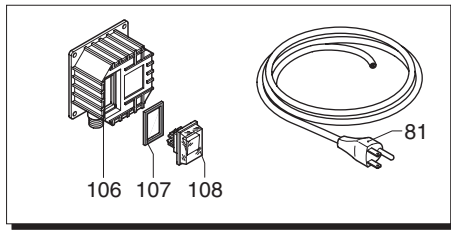


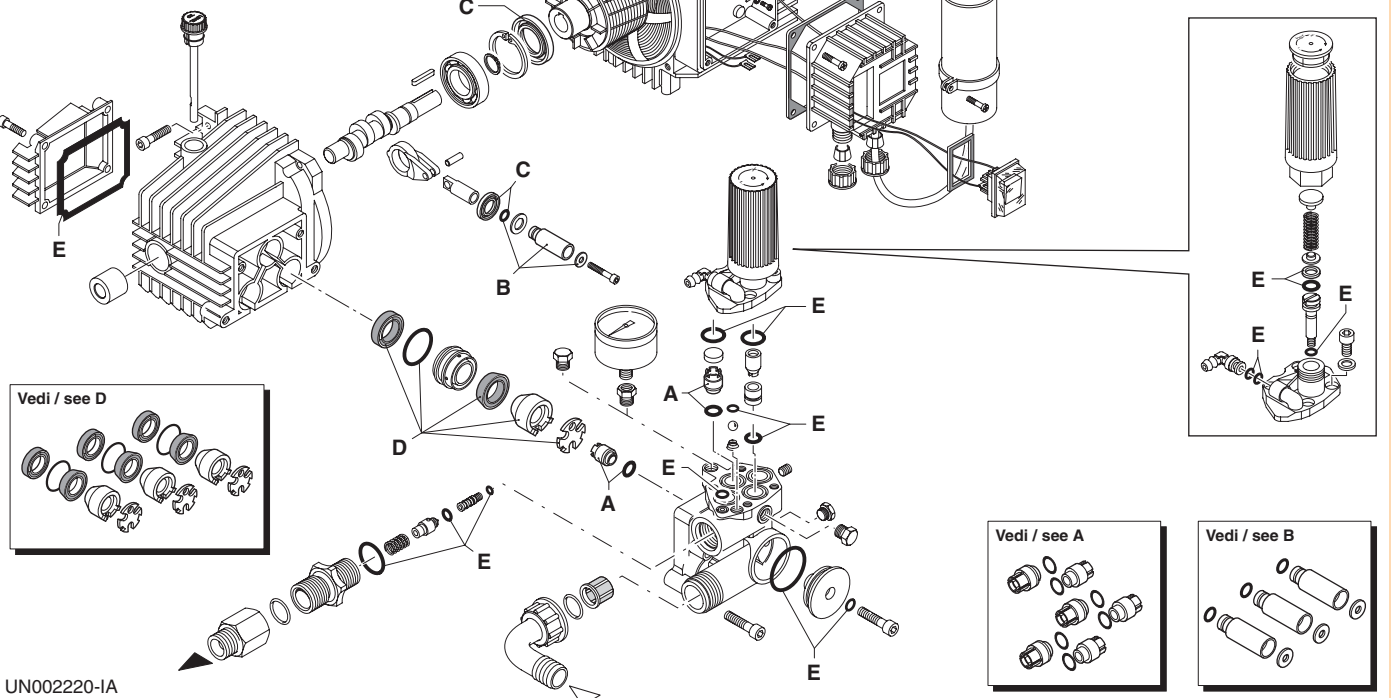
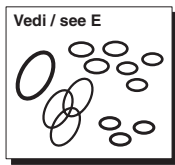
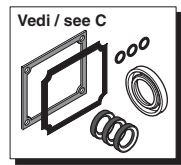
HPV-M

1450_{rpm}



UN002068-HA

KIT RICAMBI / PART KITS



UN002220-1A

HPV-M

MODELLO - MODEL:
1,3.08



Pos.	Cod. Part n°	Denominazione	Description	Q.tà Q.ty	Note Vedi / See	Pos.	Cod. Part n°	Denominazione	Description	Q.tà Q.ty	Note Vedi / See
1	1260780	Vite TCEI M 5x25	Screw	4		48	680700	Vite TCEI M 6x20	Screw	1	
2	1344060	Coperchio posteriore	Cover	1		49	480480	OR Ø 4,48x1,78	O-Ring	3	
3	1040710	OR Ø 56x2	O-Ring	1		50	1340190	Cop. collettore asp.	Cover	1	
4	1260050	Boccola a rullini	Bushing	1		51	780050	OR Ø 28,25x1,78	O-Ring	1	
5	1344050	Corpo pompa	Pump body	1		52	620301	Tappo 1/8" G conico	Plug	3	
6	1340050	Tappo livello olio	Oil level	1		53	1343840	Testa pompa	Pump head	1	
7	1344560	Albero eccentrico	Crank shaft	1		54	851100	Grano M 5x5	Grub	1	
8	880111	Linguetta 5x5x28	Key	1		55	1250270	Molla valvola	Spring	1	
9	1341070	Cuscinetto	Roller bearing	1		56	1250280	Sfera	Ball	1	
10	480890	Seeger Øe 17	Circlip	1		57	1343160	Prolunga	Extension	1	Optional
11	111120	Seeger Øi 47	Circlip	1	Ex 11120	58	3223	Manometro 10-160 bar	Pressure gauge	1	Optional
12	1341080	Anello tenuta	Seal	1		59	1342700	Sede valvola regolaz.	Regulation valve seat	1	
13	1340060	Biella	Con rod	3		60	1460430	OR Ø 4x2,5	O-Ring	1	
14	1340080	Spinotto Øe 7x18	Pin	3		61	1460150	Pistone inferiore	Lower piston	1	
15	1340070	Pistone di guida	Guiding piston	3		62	1343810	Pastiglia valvola	Valve seat	3	
16	1260460	Anello tenuta	Seal	3		63	740290	OR Ø 14x1,78	O-Ring	5	
17	600180	OR Ø 7,66x1,78	O-Ring	3		64	1260670	Raccordo detergente	Detergent fitting	1	
18	1341010	Disco separatore	Spacer	3		65	1981770	Tappo manopola	Knob plug	1	
19	1342740	Pistone Ø 15	Piston	3		66	1342680	Coperchio testa	Head cover	1	
20	1341020	Rondella 6x10x1	Washer	3	Rame	67	1381550	Rondella Ø 6,4	Washer	4	
21	850670	Vite TCEI M 6x35	Screw	3	Inox	68	1343510	Vite TCEI M 6x14	Screw	4	
22	600180	OR Ø 7,66x1,78	O-Ring	2		69	1080190	OR Ø 2,90x1,78	O-Ring	1	
23	1344060	Coperchio posteriore	Complete cover	1	Old version	70	1460140	Pistone superiore	Upper piston	1	
24	1340040	Guarnizione	Gasket	1	Old version	71	1269115	Prem.tubo det.+filtro	Hose & filter	1	1 m Optional
25	1349377	Prem. pompa	Pump assembly	1		72	1080401	Anello antiestr.	Ring	1	
26	1260440	Guarn. C1 15x22x5,5	Gasket	3		73	1343450	Piattello molla	Spring plate	1	
27	770260	OR Ø 23,52x1,78	O-Ring	3		74	1460190	Molla	Spring	1	Cataforesi
28	1342730	Guida pistone Ø 15	Piston guide	3		75	1343000	Piattello molla	Spring plate	1	
29	1342761	Guarniz. 15x25x5x3	Gasket	3		76	1980640	Inserito manopola	Knob insert	1	
30	1342720	Anello appoggio	Support ring	3		77	1060120	Dado M 6	Nut	1	
31	1342750	Disco	Plate	3		78	392840	Grano M 6x16	Grub screw	1	
32	1349053	Valvola completa	Compleat valve	6		79	1981780	Manopola	Knob	1	
33	800560	OR Ø 8,73x1,78	O-Ring	6		80	1260780	Vite TCEI M 5x25	Screw	4	
34	390341	OR Ø 5x2	O-Ring	1		81	1463530	Cavo	Cable	1	
35	1342710	OR Ø 4x1,1	O-Ring	1		82	1340340	Cuscinetto 20x47x14	Bearing	1	
36	1343550	Ugello venturi	Nozzle	1		83	1340320	Scudo posteriore	Rear cover	1	
37	1460430	OR Ø 4x2,5	O-Ring	1		84	1260760	Vite TCEI M 5x20	Screw	4	
38	1460260	Pistone	Piston	1		85	1260300	Ventola	Fan	1	
39	1540140	Molla	Spring	1		86	1340350	Anello tenuta	Seal	1	
40	880270	OR Ø 17,17x1,78	O-Ring	1		87	1269100	Mors. di terra completo	Earth connection	1	
41	1342690	Raccordo di mandata	Outlet fitting	1		88	1340780	Guarniz. scatola interr.	Switch-box gasket	1	
42	550450	Girello 3/4"G	Ring nut	1		89	1341830	Scatola morsettiera	Terminal block box	1	
43	1340250	Portagomma Ø 12	Hose tail	1		90	1463530	Condensatore 40 µF	Capacitor 40 µF	1	
45	1340260	Filtro asp. acqua	Filter	1		93	1261560	Vite autof. 3,9x16	Screw	4	
46	390180	OR Ø 18,72x2,62	O-Ring	4		94	1342040	Coprivent. ad incastro	Fan cowlng	1	
47	881470	Vite TCEI M 6x45	Screw	4		95	1341840	Piede	Base	2	
						96	320350	Vite TE M 6x12	Screw	4	
						97	1344340	Fascetta	Clamp	1	
						98	1260810	Vite TCTC M 4x10	Screw	1	
						99	44026	Motore	El. motor	1	
						101	1340480	Scatola interruttore	Switch box	1	
						102	1340660	Passacavo Ø 10	Gland	1	
						103	1340650	Passacavo Ø 6,5	Gland	1	
						104	1340640	Pressacavo	Gland	2	
						105	2605	Raccordo aspirazione	Suction fitting	1	
						106	1340480	Scatola morsettiera	Terminal block box	1	
						107	1341140	Guarnizione	Gasket	1	
						108	1341221	Interruttore 8A	Switch 8A	1	

KIT RICAMBI - PART KITS

A=KIT 1880 valvole valves		B=KIT 2623 pistoni pistons		C=KIT 1876 tenute olio oil seals		D=KIT 2624 tenute acqua water seals	
Pos.	Q.ty	Pos.	Q.ty	Pos.	Q.ty	Pos.	Q.ty
32	6	17	3	3	1	26	3
33	6	19	3	12	1	27	3
		20	3	16	3	29	3
				17	3	30	3
				24	1	31	3

E=KIT 2767 OR O-rings

Pos.	Q.ty	Pos.	Q.ty	Pos.	Q.ty	Pos.	Q.ty
22	2	49	3				
27	3	51	1				
34	1	60	1				
35	1	63	5				
37	1	39	1				
40	1	72	1				

SIMBOLOGIA - SYMBOLS
