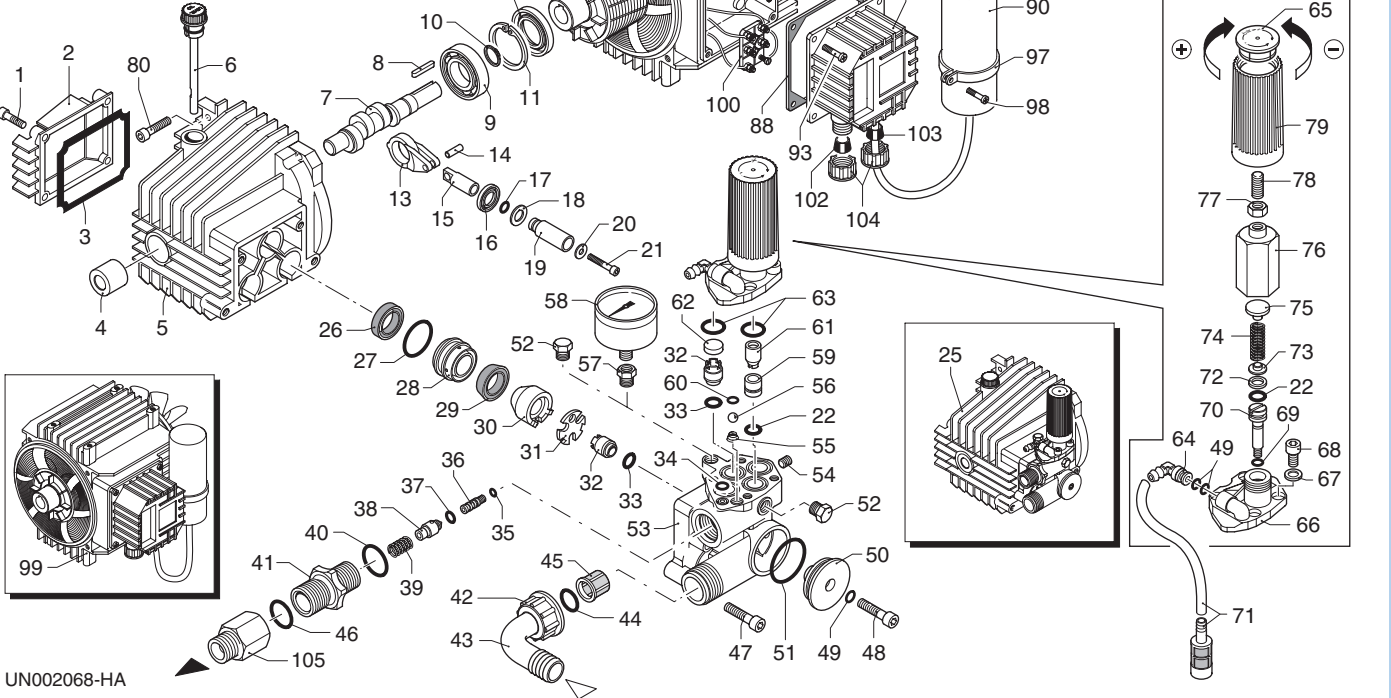
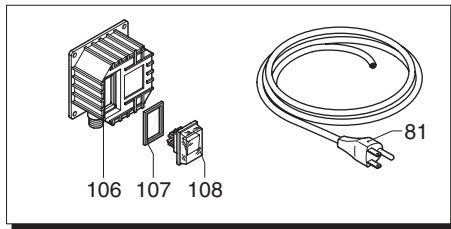


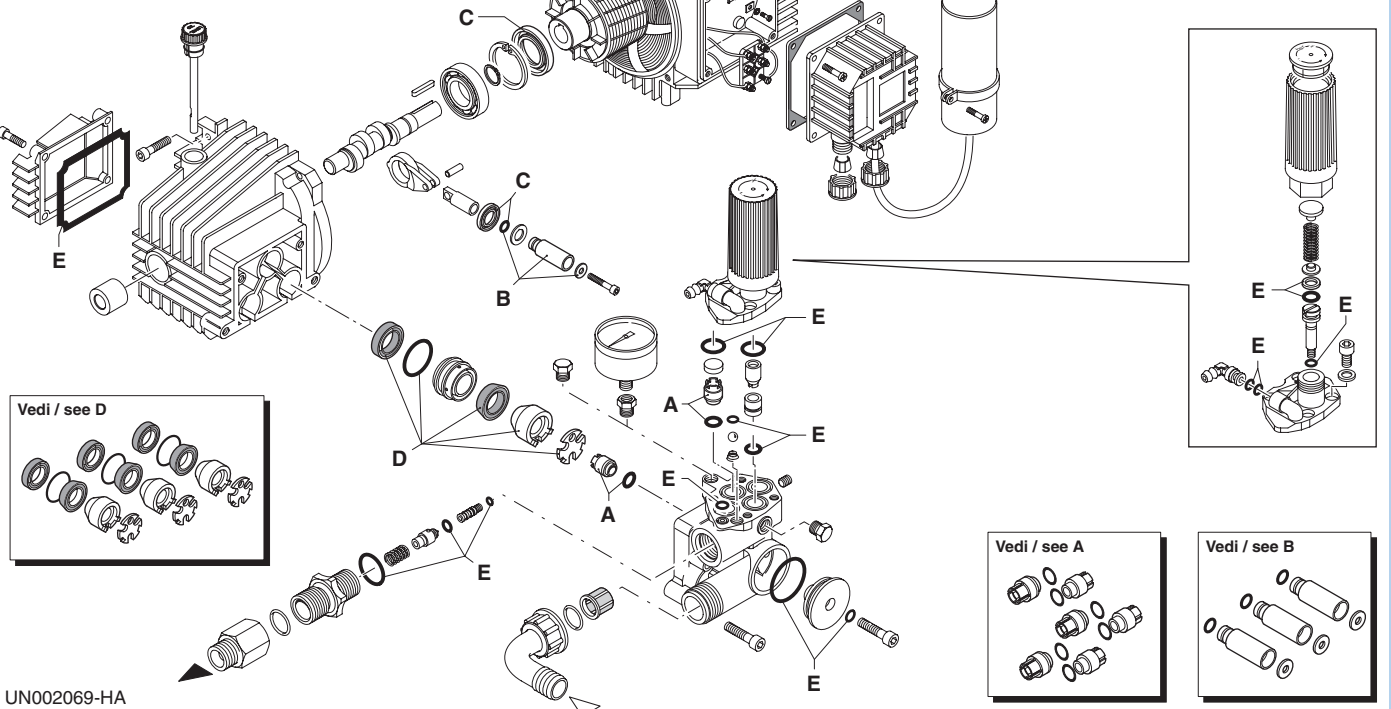
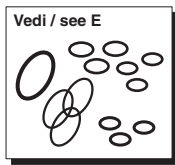
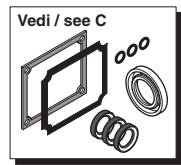
HPV

1750-2800_{rpm}



UN002068-HA

KIT RICAMBI / PART KITS



UN002069-HA



| Pos. | Cod. Part n° | Denominazione | Description | Q.tà Q.ty | Note Vedi / See | Pos. | Cod. Part n° | Denominazione | Description | Q.tà Q.ty | Note Vedi / See |
|------|--------------|----------------------|----------------|-----------|-----------------|------|--------------|--------------------------|-----------------------|-----------|-----------------|
| 1 | 1260780 | Vite TCEI M 5x25 | Screw | 4 | | 49 | 480480 | OR Ø 4,48x1,78 | O-Ring | 3 | |
| 2 | 1344060 | Coperchio posteriore | Cover | 1 | | 50 | 1340190 | Cop. collettore asp. | Cover | 1 | |
| 3 | 1040710 | OR Ø 56x2 | O-Ring | 1 | | 51 | 780050 | OR Ø 28,25x1,78 | O-Ring | 1 | |
| 4 | 1260050 | Boccola a rullini | Bushing | 1 | | 52 | 620301 | Tappo 1/8" G conico | Plug | 2 | |
| 5 | 1344050 | Corpo pompa | Pump body | 1 | | 53 | 1342670 | Testa pompa | Pump head | 1 | |
| 6 | 1340050 | Tappo livello olio | Oil level | 1 | | 54 | 851100 | Grano M 5x5 | Grub | 1 | |
| 7 | 1340170 | Albero eccentrico | Crank shaft | 1 | ○ | 55 | 1250270 | Molla valvola | Spring | 1 | |
| | 1341490 | Albero eccentrico | Crank shaft | 1 | □ | 56 | 1250280 | Sfera | Ball | 1 | |
| | 1340300 | Albero eccentrico | Crank shaft | 1 | ● | 57 | 1343160 | Prolunga | Extension | 1 | ○ Optional |
| 8 | 880111 | Linguetta 5x5x28 | Key | 1 | | 50 | 3226 | Manometro 10-160 bar | Pressure gauge | 1 | ○ Optional |
| 9 | 1341070 | Cuscinetto | Roller bearing | 1 | | 50 | 3225 | Manometro 10-160 bar | Pressure gauge | 1 | □ ● Optional |
| 10 | 480890 | Seeger Øe 17 | Circlip | 1 | | 59 | 1342700 | Sede valvola regolaz. | Regulation valve seat | 1 | |
| 11 | 111120 | Seeger Øi 47 | Circlip | 1 | Ex 11120 | 60 | 1460430 | OR Ø 4x2,5 | O-Ring | 1 | |
| 12 | 1341080 | Anello tenuta | Seal | 1 | | 61 | 1460150 | Pistone inferiore | Lower piston | 1 | |
| 13 | 1340060 | Biella | Con rod | 3 | | 62 | 1343810 | Pastiglia valvola | Valve seat | 3 | |
| 14 | 1340080 | Spinotto Øe 7x18 | Pin | 3 | | 63 | 740290 | OR Ø 14x1,78 | O-Ring | 5 | |
| 15 | 1340070 | Pistone di guida | Guiding piston | 3 | | 64 | 1260670 | Raccordo detergente | Detergent fitting | 1 | |
| 16 | 1260460 | Anello tenuta | Seal | 3 | | 65 | 1981770 | Tappo manopola | Knob plug | 1 | |
| 17 | 600180 | OR Ø 7,66x1,78 | O-Ring | 3 | | 66 | 1342680 | Coperchio testa | Head cover | 1 | |
| 18 | 1341010 | Disco separatore | Spacer | 3 | | 67 | 1381550 | Rondella Ø 6,4 | Washer | 4 | |
| 19 | 1342740 | Pistone Ø 15 | Piston | 3 | | 68 | 1343510 | Vite TCEI M 6x14 | Screw | 4 | |
| 20 | 1341020 | Rondella 6x10x1 | Washer | 3 | Rame | 69 | 1080190 | OR Ø 2,90x1,78 | O-Ring | 1 | |
| 21 | 850670 | Vite TCEI M 6x35 | Screw | 3 | Inox | 70 | 1460140 | Pistone superiore | Upper piston | 1 | |
| 22 | 600180 | OR Ø 7,66x1,78 | O-Ring | 2 | | 71 | 1269115 | Prem.tubo det.+filtro | Hose & filter | 1 | 1 m Optional |
| 23 | 1340030 | Coperchio posteriore | Complete cover | 1 | Old version | 72 | 1080401 | Anello antiestr. | Ring | 1 | |
| 24 | 1340040 | Guarnizione | Gasket | 1 | Old version | 73 | 1343450 | Piattello molla | Spring plate | 1 | |
| 25 | 1349234 | Prem. pompa | Pump assembly | 1 | ○ | 74 | 1460190 | Molla | Spring | 1 | Cataforesi |
| | 1349256 | Prem. pompa | Pump assembly | 1 | □ | 75 | 1343000 | Piattello molla | Spring plate | 1 | |
| | 1349237 | Prem. pompa | Pump assembly | 1 | ● | 76 | 1980640 | Inserto manopola | Knob insert | 1 | |
| 26 | 1260440 | Guarn. C1 15x22x5,5 | Gasket | 3 | | 77 | 1060120 | Dado M 6 | Nut | 1 | |
| 27 | 770260 | OR Ø 23,52x1,78 | O-Ring | 3 | | 78 | 392840 | Grano M 6x16 | Grub screw | 1 | |
| 28 | 1342730 | Guida pistone Ø 15 | Piston guide | 3 | | 79 | 1981780 | Manopola | Knob | 1 | |
| 29 | 1342760 | Guarniz. 15x25x5x3 | Gasket | 3 | | 80 | 1260780 | Vite TCEI M 5x25 | Screw | 4 | |
| 30 | 1342720 | Anello appoggio | Support ring | 3 | | 81 | 1270950 | Cavo | Cable | 1 | ○ □ |
| 31 | 1342750 | Disco | Plate | 3 | | 81 | 1261800 | Cavo | Cable | 1 | ● |
| 32 | 1349053 | Valvola completa | Compleat valve | 6 | | 82 | 1340340 | Cuscinetto 20x47x14 | Bearing | 1 | |
| 33 | 800560 | OR Ø 8,73x1,78 | O-Ring | 6 | | 83 | 1340320 | Scudo posteriore | Rear cover | 1 | |
| 34 | 390341 | OR Ø 5x2 | O-Ring | 1 | | 84 | 1260760 | Vite TCEI M 5x20 | Screw | 4 | |
| 35 | 1343110 | OR Ø 4x1,1 | O-Ring | 1 | | 85 | 1260300 | Ventola | Fan | 1 | |
| 36 | 1342710 | Ugello venturi | Nozzle | 1 | ○ ● | 86 | 1340350 | Anello tenuta | Seal | 1 | |
| | 1343550 | Ugello venturi | Nozzle | 1 | □ | 87 | 1269100 | Mors. di terra completo | Earth connection | 1 | |
| 37 | 1460430 | OR Ø 4x2,5 | O-Ring | 1 | | 88 | 1340780 | Guarniz. scatola interr. | Switch-box gasket | 1 | |
| 38 | 1460260 | Pistone | Piston | 1 | | 89 | 1341830 | Scatola morsettiera | Terminal block box | 1 | |
| 39 | 1540140 | Molla | Spring | 1 | | 90 | 1263520 | Condensatore 40 µF | Capacitor 40 µF | 1 | ○ □ |
| 40 | 880270 | OR Ø 17,17x1,78 | O-Ring | 1 | | 90 | 1263550 | Condensatore 80 µF | Capacitor 80 µF | 1 | ● |
| 41 | 1342690 | Raccordo di mandata | Outlet fitting | 1 | | 93 | 1261560 | Vite autof. 3,9x16 | Screw | 4 | |
| 42 | 550450 | Girello 3/4"G | Ring nut | 1 | | 94 | 1342040 | Coprivent. ad incastro | Fan cowling | 1 | |
| 43 | 1340250 | Portagomma Ø 12 | Hose tail | 1 | | 95 | 1341840 | Piede | Base | 2 | |
| 45 | 1340260 | Filtro asp. acqua | Filter | 1 | | 96 | 320350 | Vite TE M 6x12 | Screw | 4 | |
| 47 | 881470 | Vite TCEI M 6x45 | Screw | 4 | | 97 | 1340280 | Fascetta | Clamp | 1 | |
| 48 | 680700 | Vite TCEI M 6x20 | Screw | 1 | | 98 | 1260810 | Vite TCTC M 4x10 | Screw | 1 | |
| | | | | | | 99 | 4929 | Motore | El. motor | 1 | ○ □ |
| | | | | | | 99 | 4967 | Motore | El. motor | 1 | ● |
| | | | | | | 100 | 1261720 | Morsettiera | 6 stud terminal block | 1 | |
| | | | | | | 101 | 1340480 | Scatola interruttore | Switch box | 1 | ○ □ |
| | | | | | | 101 | 1340470 | Scatola interruttore | Switch box | 1 | ● |
| | | | | | | 102 | 1340660 | Passacavo Ø 10 | Gland | 1 | |
| | | | | | | 103 | 1340650 | Passacavo Ø 6,5 | Gland | 1 | |
| | | | | | | 104 | 1340640 | Pressacavo | Gland | 2 | |
| | | | | | | 105 | 2605 | Raccordo aspirazione | Suction fitting | 1 | ● |
| | | | | | | 106 | 1340480 | Scatola morsettiera | Terminal block box | 1 | ○ □ |
| | | | | | | 106 | 1340470 | Scatola morsettiera | Terminal block box | 1 | ● |
| | | | | | | 107 | 1341140 | Guarnizione | Gasket | 1 | ○ □ |
| | | | | | | 107 | 1265080 | Guarnizione | Gasket | 1 | ● |
| | | | | | | 108 | 1341221 | Interruttore 8A | Switch 8A | 1 | ○ □ |
| | | | | | | 108 | 1272030 | Interruttore 20A | Switch 20A | 1 | ● |

KIT RICAMBI - PART KITS

| A=KIT 1880 valvole valves | | B=KIT 2623 pistoni pistons | | C=KIT 1876 tenute olio oil seals | | D=KIT 2624 tenute acqua water seals | |
|---------------------------------|------|----------------------------------|------|----------------------------------------|------|-------------------------------------------|------|
| Pos. | Q.ty | Pos. | Q.ty | Pos. | Q.ty | Pos. | Q.ty |
| 32 | 6 | 17 | 3 | 3 | 1 | 26 | 3 |
| 33 | 6 | 19 | 3 | 12 | 1 | 27 | 3 |
| | | 20 | 3 | 16 | 3 | 29 | 3 |
| | | | | 17 | 3 | 30 | 3 |
| | | | | 24 | 1 | 31 | 3 |

| E=KIT 2767 OR O-Ring | | | | | | | |
|----------------------------|------|------|------|------|------|------|------|
| Pos. | Q.ty | Pos. | Q.ty | Pos. | Q.ty | Pos. | Q.ty |
| 9 | 1 | 16 | 2 | 32 | 1 | | |
| 10 | 1 | 19 | 1 | 33 | 1 | | |
| 12 | 7 | 21 | 2 | 36 | 1 | | |
| 13 | 4 | 27 | 3 | 37 | 1 | | |
| 14 | 1 | 30 | 1 | 95 | 1 | | |
| 15 | 1 | 31 | 1 | | | | |

SIMBOLOGIA - SYMBOLS

 ○ Per / For
HPV 8.11

 □ Per / For
HPV 11.07

 ● Per / For
HPV 2 G15