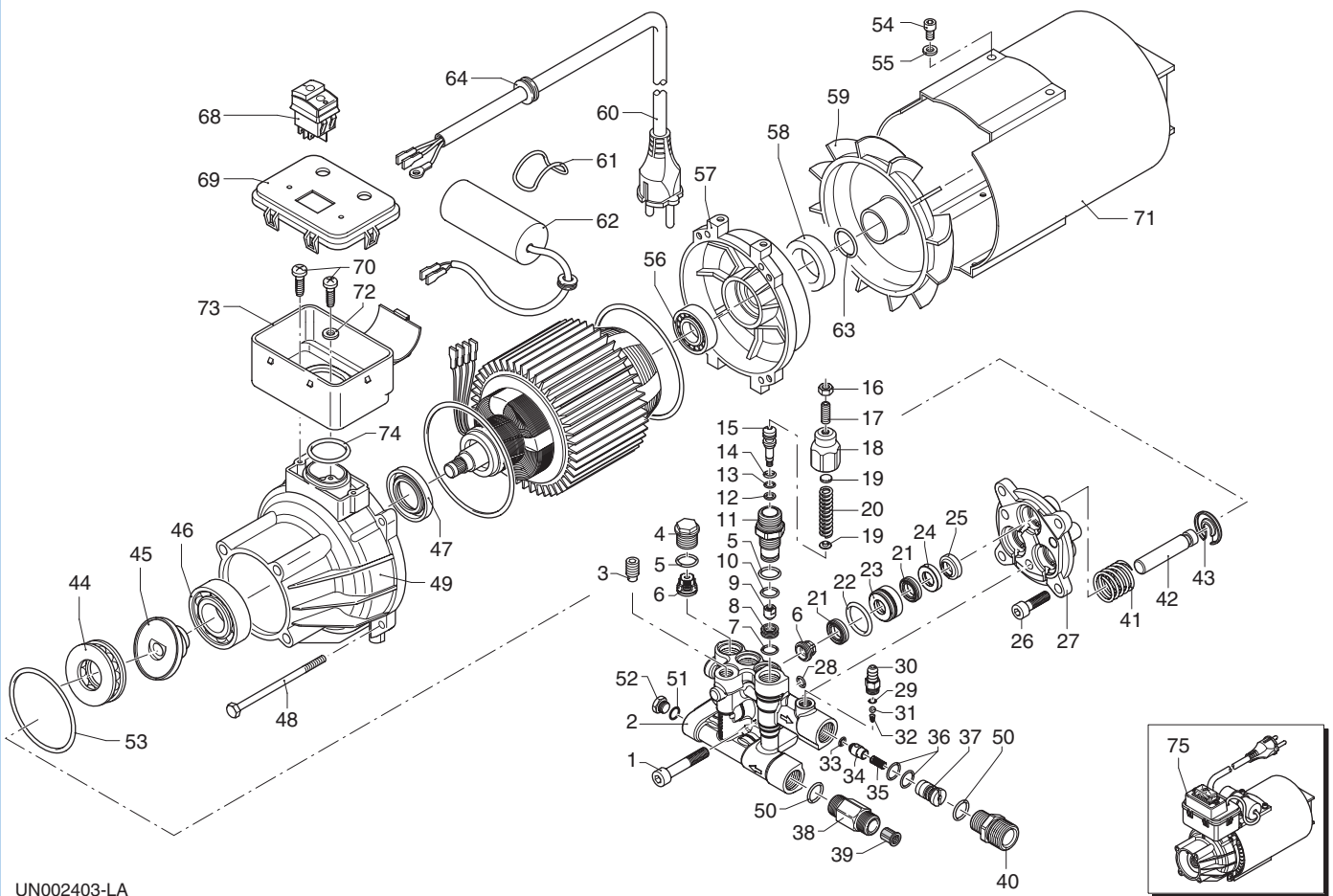


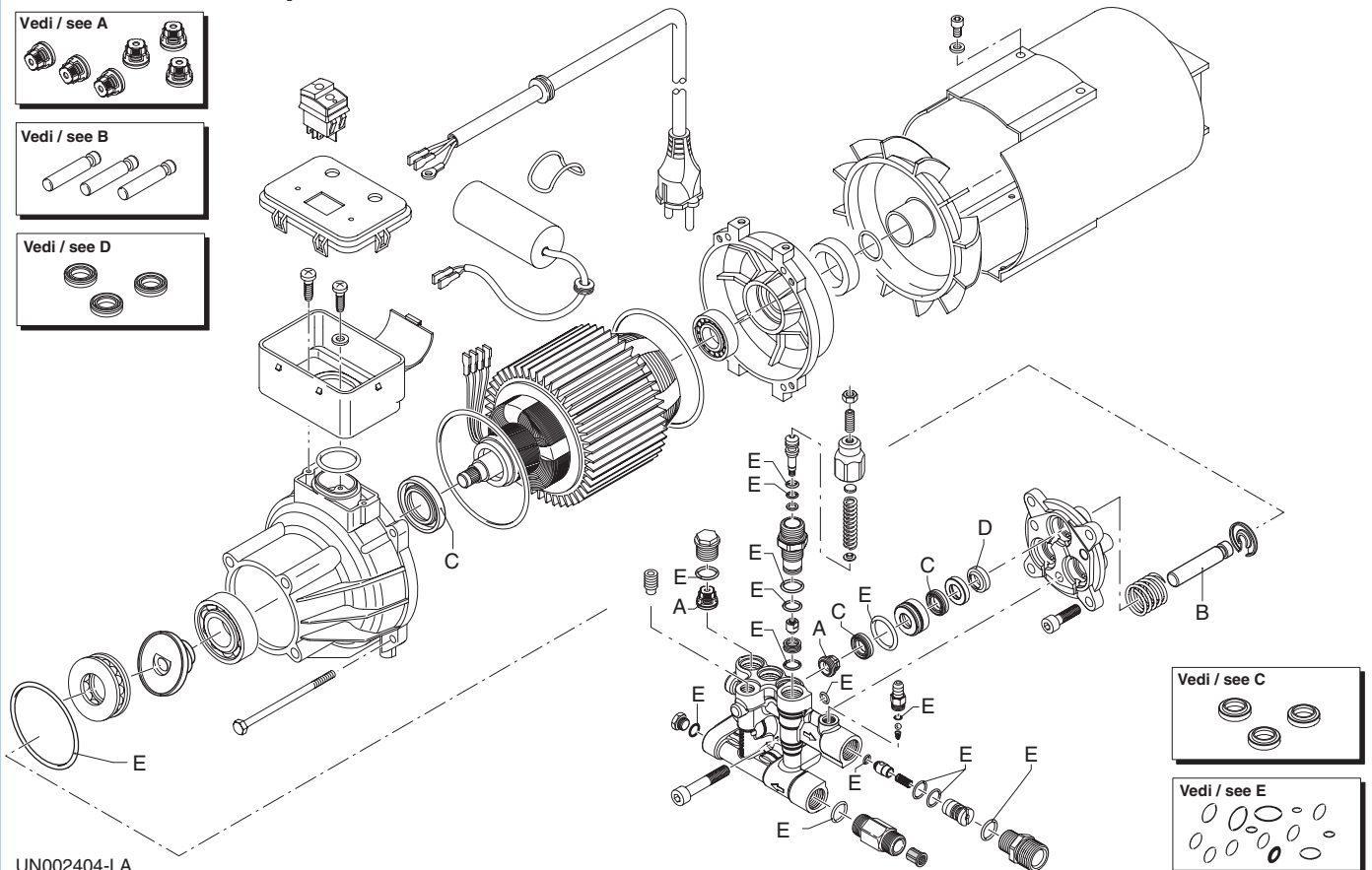
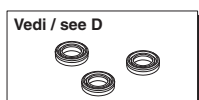
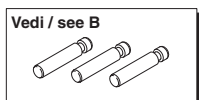
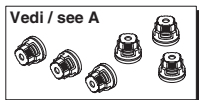
HRM-O

2800 rpm

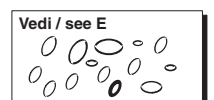
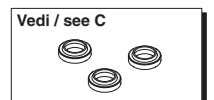


UN002403-LA

KIT RICAMBI / PART KITS



UN002404-LA



HRM-O

MODELLO - MODEL:
9.15



Pos.	Cod. Part n°	Denominazione	Description	Q.tà Q.ty	Note Vedi / See	Pos.	Cod. Part n°	Denominazione	Description	Q.tà Q.ty	Note Vedi / See
1	800220	Vite TCEI M 8x40	Screw	3		43	2840050	Anello	Ring	3	
2	2900430	Testa pompa	Pump head	1		44	2900170	Cuscinetto	Bearing	1	
3	2840470	Vite STEI M 10x14	Screw	1		45	2900260	Piattello oscillante	Wobble plate	1	
4	2840130	Tappo valvola	Plug	3		46	1780490	Cuscinetto	Bearing	1	
5	740290	OR Ø 14x1,78	O-Ring	6		47	1460530	Anello tenuta	Seal ring	1	
6	2849051	Valvola completa	Complete valve	6		48	2320090	Vite TE M 5x110	Screw	4	
7	1470210	OR Ø 9x1	O-Ring	1		49	2900010	Corpo pompa	Pump body	1	
8	2900550	Sede	Seat	1		51	820510	OR Ø 10,82x1,78	O-Ring	1	
9	2840760	Otturatore by pass	By-pass jet	1		52	880581	Tappo	Plug	1	
10	820510	OR Ø 10,82x1,78	O-Ring	1		53	1040060	OR Ø 72,69x2,62	O-Ring	1	
11	2840750	Guida pistone	Piston guide	1		54	1460460	Vite TC M 5x16	Screw	2	
12	2760210	Anello antiestrusione	Ring	1		55	1680960	Rondella Øi 5,5	Washer	2	
13	660190	OR Ø 6,07x1,78	O-Ring	1		56	1460590	Cuscinetto	Bearing	1	
14	2260100	OR Ø 6,02x2,62	O-Ring	1		57	1460040	Scudo motore	Motor shield	1	
15	2760400	Pistone	Piston	1		58	1461200	Anello tenuta	Seal ring	1	
16	1980300	Dado M 6	Nut	1		59	1460370	Ventola	Fan	1	
17	392840	Grano M 6X16	Grub screw	1		60	1760450	Cavo	Cable	1	
18	2760480	Inserto manopola	Handle insert	1		61	2320640	OR Ø 56,82x2,62	O-Ring	1	
19	1980220	Piattello molla	Plate spring	2		62	1982590	Condensatore 45 µF	Capacitor 45 µF	1	
20	2760410	Molla	Spring	1		63	394280	OR Ø 12,42x1,78	O-Ring	1	
21	2200141	Guarnizione	Gasket	6		64	2021480	Passacavo	Gland	1	
22	770260	OR Ø 23,52x1,78	O-Ring	3		68	2320280	Interruttore 8A	Switch 8A	1	
23	2840550	Boccola	Bushing	3		69	2320270	Cop. scatola interr.	Switch box cover	1	
24	2840540	Boccola	Bushing	3		70	2020570	Vite autof. M 4x12	Screw	3	
25	1683500	Anello tenuta	Seal	3		71	1460340	Convogliatore	Conveyor	1	
26	2900500	Vite TCEI M 8x25	Screw	1		72	1262400	Rosetta Ø 4	Washer	1	
27	2900020	Guida pistone	Piston guide	1		73	2320130	Scatola interruttore	Switch box	1	
28	480560	OR Ø 4,48x1,78	O-Ring	1		74	660170	OR Ø 31,42x2,62	O-Ring	1	
29	480480	OR Ø 4,48x1,78	O-Ring	1		75	44068	Motore elettrico	Electric motor	1	
30	1982520	Portagomma	Hose tail	1							
31	1250280	Sfera	Ball	1							
32	1560520	Molla	Spring	1							
33	1460430	OR Ø 4x2,5	O-Ring	1							
34	2840350	Otturatore	Jet	1							
35	1343580	Molla	Spring	1							
36	800560	OR Ø 8,73x1,78	O-Ring	2							
37	2840290	Iniettore detergente	Detergent injector	1							
38	2900100	Raccordo aspirazione	Suction fitting	1	3/4" NH						
39	1340260	Filtro	Filter	1							
40	2840400	Raccordo mandata	Outlet fitting	1							
41	2840060	Molla	Spring	3							
42	2840530	Pistone	Piston	3							

KIT RICAMBI - PART KITS

A=KIT 2233 valvole valves		B=KIT 2234 pistoni pistons		C=KIT 42124 tenute olio oil seals		D=KIT 2235 tenute acqua water seals	
Pos.	Q.ty	Pos.	Q.ty	Pos.	Q.ty	Pos.	Q.ty
6	6	42	3	21 47	3 1	25	3

E=KIT 2237 OR O-Rings

Pos.	Q.ty	Pos.	Q.ty	Pos.	Q.ty	Pos.	Q.ty
5	4	28	1				
7	1	29	1				
10	1	33	1				
13	1	36	2				
14	1	50	2				
22	3	51	1				

SIMBOLOGIA - SYMBOLS

--	--