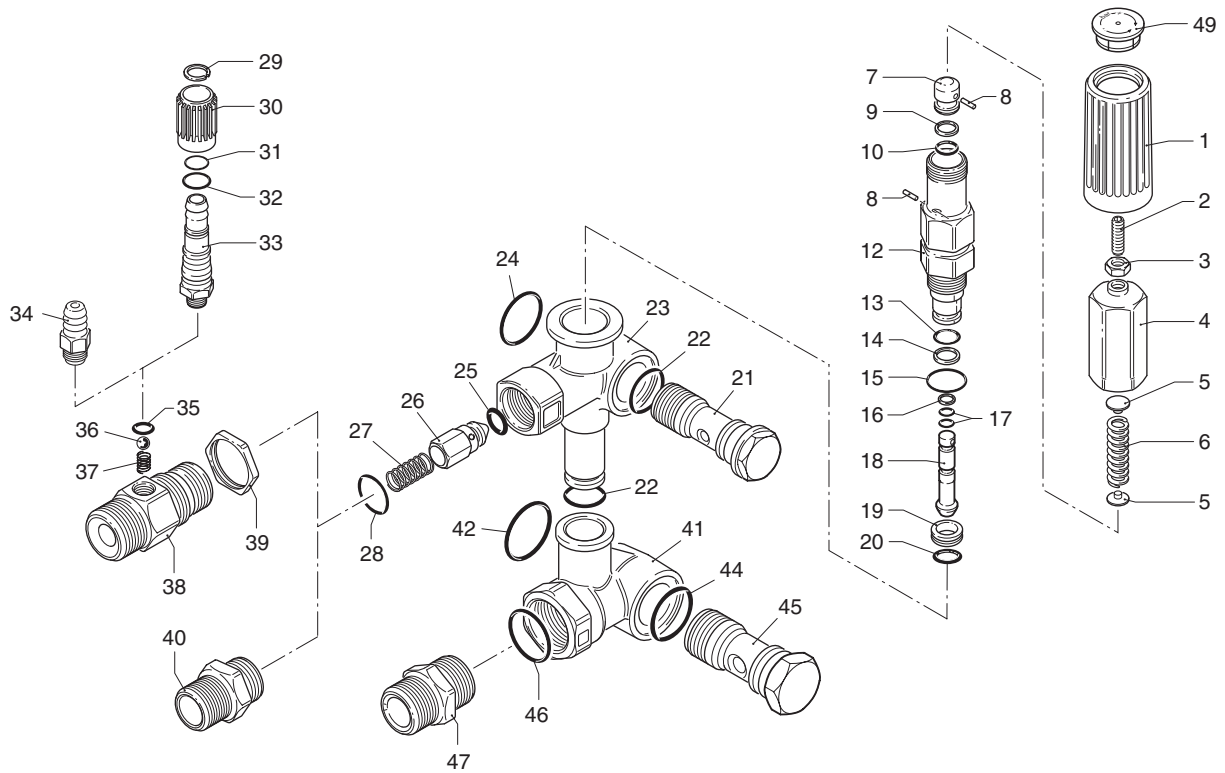
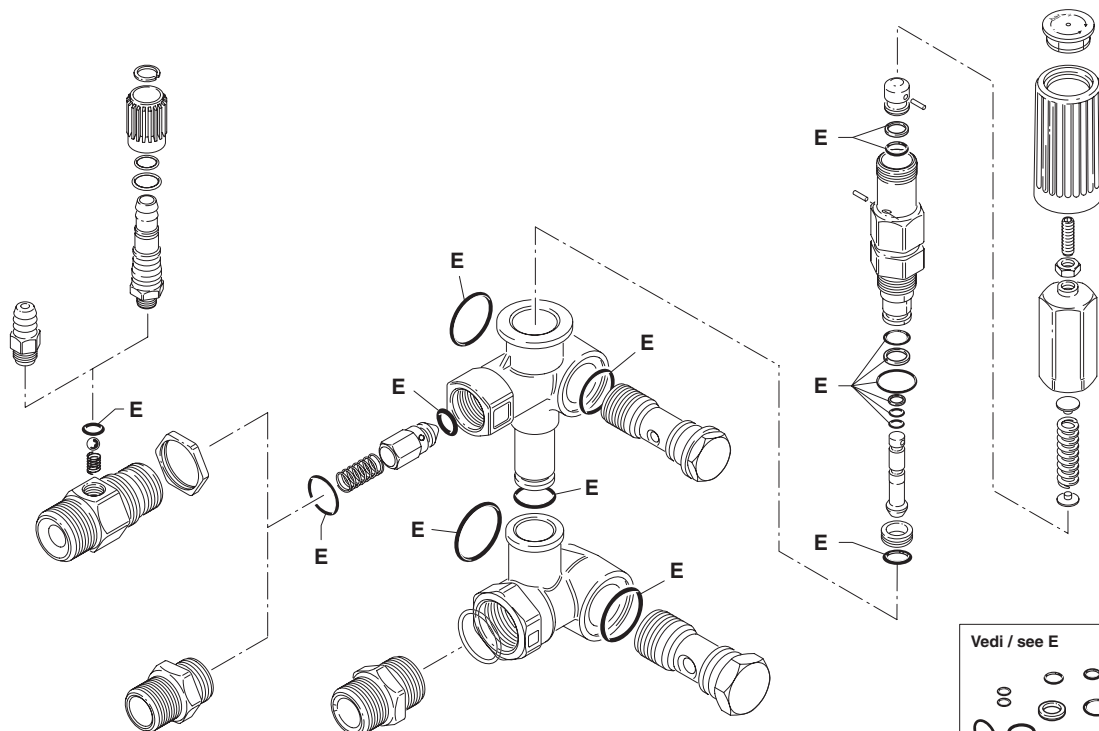


MINIMATIC 4/B

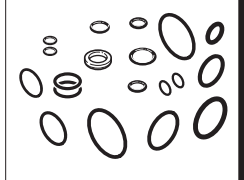


UN002255-1A

KIT RICAMBI / PART KITS



Vedi / see E



UN002256-1A

MINIMATIC 4/B



Pos.	Cod. Part n°	Denominazione	Description	Q.tà Q.ty	Note Vedi / See	Pos.	Cod. Part n°	Denominazione	Description	Q.tà Q.ty	Note Vedi / See
1	1981780	Manopola	Handle	1		40	1540180	Nipples 3/8" G	Adaptor 3/8" G	1	●
2	1540560	Grano M6x20	Grub	1			1540500	Nipples 3/8" NPT	Adaptor 3/8" NPT	1	●
3	1980300	Dado M6	Nut	1		41	1540280	Corpo by-pass	By-pass housing	1	3/8" G
4	1980390	Inserto manopola	Knob insert	1			1540480	Corpo by-pass	By-pass housing	1	3/8" NPT
5	1980220	Piattello molla	Spring plate	2		42	1540630	OR Ø 23,47x2,62	O-Ring	1	
6	1271070	Molla	Spring	1		44	880270	OR Ø 17,17x1,78	O-Ring	1	
7	1080041	Pistone superiore	Upper piston	1		45	1540260	Vite 1/2" G	Thread screw	1	
8	1080070	Spina	Pin	2		46	480440	OR Ø 17,13x2,62	O-Ring	1	Optional
9	1080401	Anello antiest.	Back-up ring	1		47	1540050	Raccordo	Fitting	1	Optional
10	1080250	OR Ø 7,66x1,78	O-Ring	1		49	1981770	Tappo manopola	Knob plug	1	
12	1980210	Guida pistone	Piston Guide	1							
13	740290	OR Ø 14x1,78	O-Ring	1							
14	800560	OR Ø 8,73x1,78	O-Ring	1							
15	880830	OR Ø 15,54x2,62	O-Ring	1							
16	1271170	Anello antiest.	Back-up ring	1							
17	1080190	OR Ø 2,90x1,78	O-Ring	2							
18	1271160	Pistone inferiore	Lower piston	1							
19	1980200	Sede valvola	Valve seat	1							
20	1470210	OR Ø 9x1	O-Ring	1							
21	1540270	Vite 3/8" G	Thread screw	1	Ottone/Brass						
	1540430	Vite 3/8" G Inox	Thread screw	1	Inox/Steel						
22	390080	OR Ø 11,91x2,62	O-Ring	2							
23	1540510	Corpo valvola	Valve housing	1							
24	1140450	OR Ø 20,24x2,62	O-Ring	1							
25	1460430	OR Ø 4x2,5	O-Ring	1							
26	1540170	Otturatore	Jet	1							
27	1080091	Molla	Spring	1							
28	394280	OR Ø 12,42x1,78	O-Ring	1							
29	1560660	Anello	Ring	1	▲						
30	1560680	Manopola reg.det.	Detergent reg. knob	1	▲						
31	480560	OR Ø 6,75x1,78	O-Ring	1	▲						
32	800560	OR Ø 8,73x1,78	O-Ring	1	▲						
33	1560650	Portagomma	Hose tail	1	▲						
34	1560490	Portagomma	Hose tail	1	■						
35	480480	OR Ø 4,48x1,78	O-Ring	1	■▲						
36	1250280	Sfera	Ball	1	■▲						
37	1560520	Molla	Spring	1	■▲						
38	1540570	Raccordo 3/8" G	Fitting 3/8" G	1	Ø 2 ■▲						
	1540580	Raccordo 3/8" G	Fitting 3/8" G	1	Ø 2,3 ■▲						
	1540610	Raccordo 3/8" NPT	Fitting 3/8" NPT	1	Ø 2 ■▲						
	1540620	Raccordo 3/8" NPT	Fitting 3/8" NPT	1	Ø 2,3 ■▲						
39	1540300	Controdado	Nut	1	■▲						

KIT RICAMBI - PART KITS

E=KIT 2812 OR O-Rings							
Pos.	Q.ty	Pos.	Q.ty	Pos.	Q.ty	Pos.	Q.ty
9	1	17	2	35	1		
10	1	20	1	42	1		
13	1	22	2	44	1		
14	1	24	1				
15	1	25	1				
16	1	28	1				

E=KIT 2812 OR O-Rings							
Pos.	Q.ty	Pos.	Q.ty	Pos.	Q.ty	Pos.	Q.ty

SIMBOLOGIA - SYMBOLS

● Per / For MINIMATIC 4/B	■ Per / For MINIMATIC 4/B + ID	▲ Per / For MINIMATIC 4/B + IDR
------------------------------	--------------------------------------	---------------------------------------