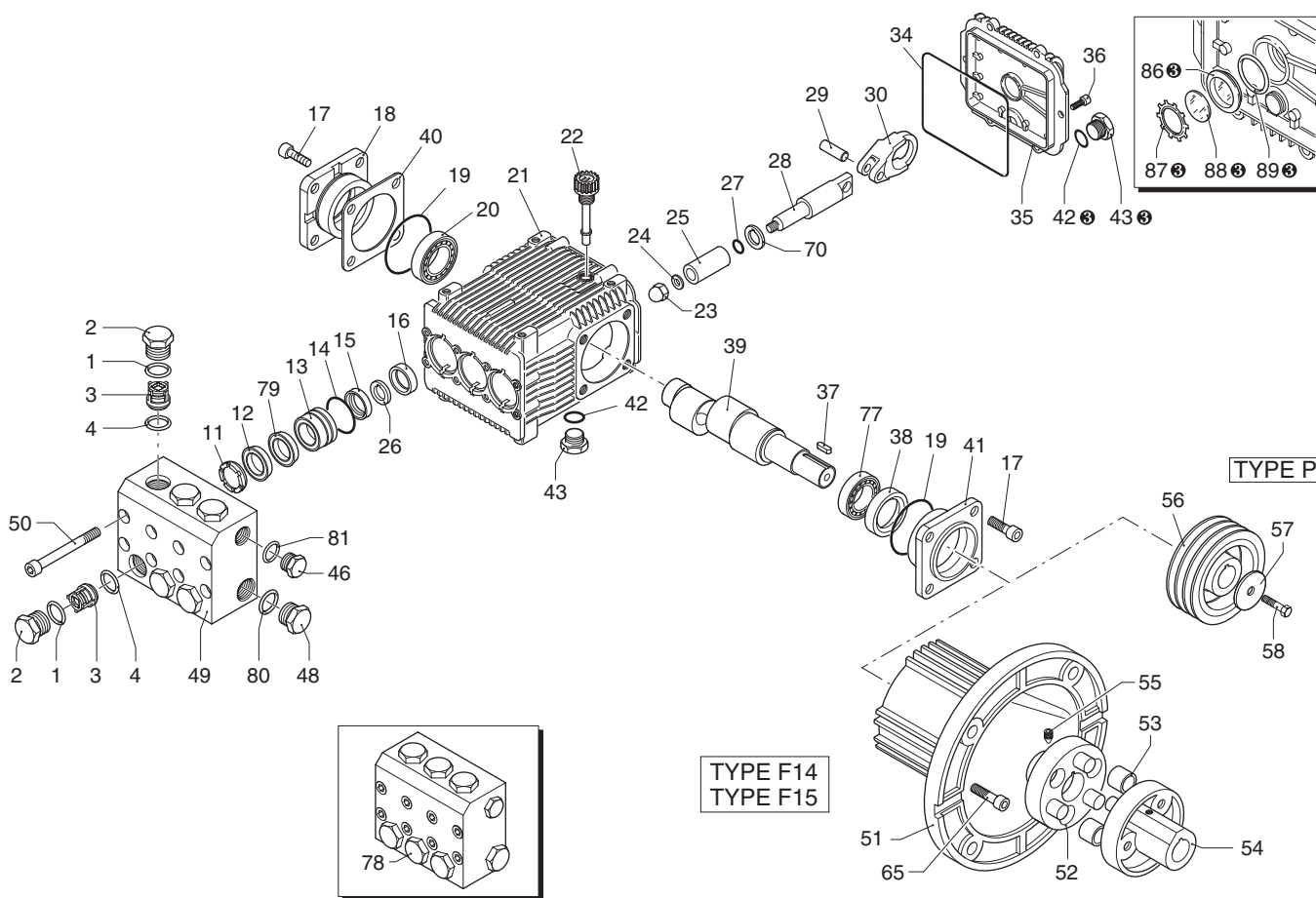
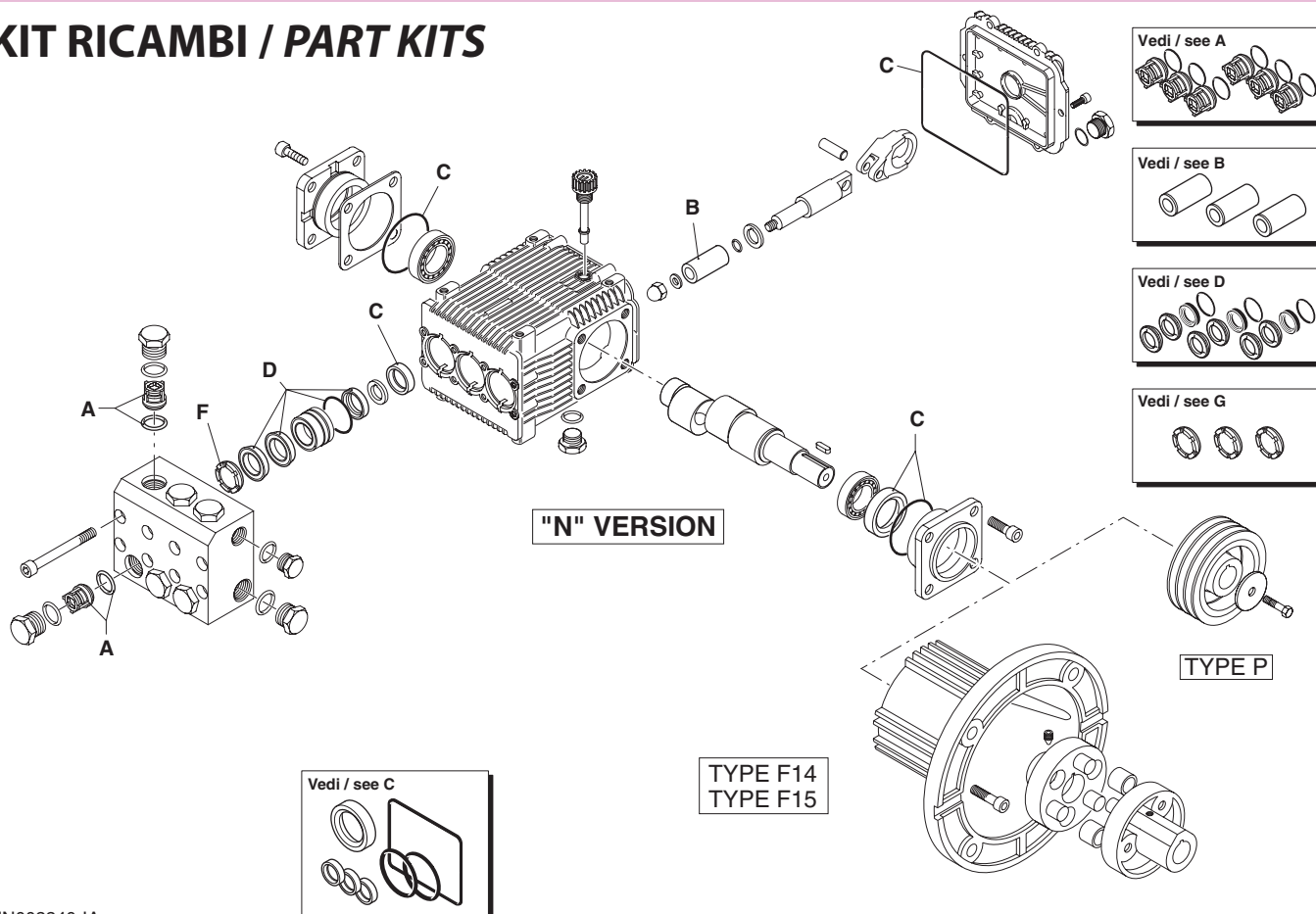


RKA-SS VERSION N 1750rpm



UN002239-IA

KIT RICAMBI / PART KITS



UN002240-IA

RKA-SS VERSION N

MODELLO - MODEL:

2.3 G15 3 G15 3.6 G12 4.2 G15 7 G22



| Pos. | Cod. Part n° | Denominazione | Description | Q.tà Q.ty | Note Vedi / See | Pos. | Cod. Part n° | Denominazione | Description | Q.tà Q.ty | Note Vedi / See |
|------|--------------|-----------------------|------------------|-----------|-----------------|------|--------------|-----------------------|--------------------|-----------|-----------------|
| 1 | 960161 | OR Ø 17,86x2,62 | O-Ring | 6 | | 40 | 1382810 | Spessore 0,05 mm | 0,05 mm shim | 1÷3 | |
| 2 | 2340030 | Tappo valvola | Plug | 6 | | | 1380120 | Spessore 0,10 mm | 0,10 mm shim | 1÷3 | |
| 3 | 2349050 | Valvola completa | Complete valve | 6 | | | 1380130 | Spessore 0,20 mm | 0,20 mm shim | 1÷3 | |
| 4 | 880831 | OR Ø 15,54x2,62 | O-Ring | 6 | | 41 | 1380530 | Spessore 0,25 mm | 0,25 mm shim | 1÷3 | |
| 11 | 960110 | Anello appoggio | Support ring | 3 | Ø 18 ○ ● □ ■ | | 2340280 | Supp. cusc. aperto | Open bearing sup. | 1 | |
| | 840320 | Anello appoggio | Support ring | 3 | Ø 22 ▼ | 42 | 740290 | OR Ø 14x1,78 | O-Ring | 2 | ⊗ |
| 12 | 880321 | Guarnizione | Gasket | 3 | Ø 18 ○ ● □ ■ | 43 | 2340350 | Tappo 3/8"G | 3/8"G plug | 2 | ⊗ |
| | 840331 | Guarnizione | Gasket | 3 | Ø 22 ▼ | 46 | 2340050 | Tappo | Plug | 1 | NPT |
| 13 | 2340140 | Guida pistone | Piston guide | 3 | Ø 18 ○ ● □ ■ | 48 | 2340350 | Tappo | Plug | 1 | G |
| | 2340420 | Guida pistone | Piston guide | 3 | Ø 22 ▼ | 48 | 2340040 | Tappo | Plug | 1 | NPT |
| 14 | 961241 | OR Ø 31,47x1,78 | O-Ring | 3 | | 49 | 2340360 | Tappo | Plug | 1 | G |
| 15 | 880331 | Guarnizione | Gasket | 3 | Ø 18 ○ ● □ ■ | | 2340370 | Testa pompa | Pump head | 1 | ○ ● □ ■ G |
| | 840341 | Guarnizione | Gasket | 3 | Ø 22 ▼ | | 2340340 | Testa pompa | Pump head | 1 | ▼ G |
| 16 | 1383130 | Paraolio | Seal | 3 | | | 2340020 | Testa pompa | Pump head | 1 | NPT |
| 17 | 2340240 | Vite TCEI M 8x16 | Screw | 8 | | 50 | 1383440 | Vite TCEI M 8x70 | Screw | 8 | |
| 18 | 2349011 | Coperchio lat. compl. | Comp. side cover | 1 | | 51 | 1380490 | Flangia motore el. | El. motor flange | 1 | NEMA - 56C |
| 19 | 640030 | OR Ø 59,99x2,62 | O-Ring | 2 | | 52 | 1380300 | Semigiunto pompa | Pump coupling | 1 | |
| 20 | 2280240 | Cuscinetto | Bearing | 1 | | 53 | 1321670 | Boccola | Bushing | 6 | |
| 21 | 2340260 | Corpo pompa | Pump housing | 1 | | 54 | 1380330 | Semigiunto motore | Motor coupling | 1 | Ø 1" 1/8 |
| 22 | 880130 | Tappo carico olio | Oil cap | 1 | | | 1380350 | Semigiunto motore | Motor coupling | 1 | Ø 1" 3/8 |
| 23 | 2340060 | Dado | Nut | 3 | | 55 | 1380180 | Grano M 6x10 | Grub screw | 1 | |
| 24 | 2340200 | Rosetta | Washer | 3 | | 56 | 1320270 | Puleggia | Pulley | 1 | 2A Øe 120mm |
| 25 | 1383230 | Pistone in ceramica | Ceramic piston | 3 | Ø 18 ○ ● □ ■ | | 1380890 | Puleggia | Pulley | 1 | 3A Øe 120mm |
| | 1383340 | Pistone in ceramica | Ceramic piston | 3 | Ø 22 ▼ | | 1380900 | Puleggia | Pulley | 1 | 4A Øe 138mm |
| 26 | 2340110 | Distanziale | Spacer | 3 | Ø 18 ○ ● □ ■ | 57 | 780230 | Rosetta | Washer | 1 | |
| | 2340430 | Distanziale | Spacer | 3 | Ø 22 ▼ | 58 | 740450 | Vite TE M 6x18 | Screw | 4 | |
| 27 | 480482 | OR Ø 4,48x1,78 | O-Ring | 3 | | 65 | 620610 | Vite TCEI M 8x30 | Screw | 4 | |
| 28 | 2340070 | Pistone di guida | Guiding piston | 3 | | 70 | 2340190 | Disco separatore | Spacer | 3 | |
| 29 | 1380060 | Spinotto | Piston pin | 3 | | 77 | 840370 | Cuscinetto | Bearing | 1 | |
| 30 | 1383020 | Biella bronzo | Bronze con rod | 3 | | 78 | 2349200 | Pr. testa pompa NPT | Pump head assembly | 1 | ○ ● □ ■ |
| 34 | 1780510 | OR Ø 106x3 | O-Ring | 1 | | | 2349202 | Pr. testa pompa NPT | Pump head assembly | 1 | ▼ |
| 35 | 2349010 | Coperchio completo | Complete cover | 1 | | | 2349203 | Pr. testa pompa G | Pump head assembly | 1 | ○ ● □ ■ ▼ |
| 36 | 2340250 | Vite TCEI M 6x14 | Screw | 6 | | 79 | 2340310 | Anello antiestrusione | Back-up ring | 3 | ○ ● □ ■ |
| 37 | 1380520 | Linguetta | Key | 1 | | | 2340330 | Anello antiestrusione | Back-up ring | 3 | ▼ |
| 38 | 180340 | Anello tenuta | Seal | 1 | | 80 | 180102 | OR Ø 17,5x2 | O-Ring | 1 | Solo/Only G |
| 39 | 2280490 | Albero eccentrico | Crankshaft | 1 | ○ | 81 | 740291 | OR Ø 14x1,78 | O-Ring | 1 | Solo/Only G |
| | 2280790 | Albero eccentrico | Crankshaft | 1 | ● | 86 | 1260250 | Livello olio | Oil indicator | 1 | ⊗ |
| | 2280500 | Albero eccentrico | Crankshaft | 1 | □ | 87 | 1260430 | Anello elastico | Snap ring | 1 | ⊗ |
| | 2280090 | Albero eccentrico | Crankshaft | 1 | ■ | 88 | 1780690 | Disco di contrasto | Disc | 1 | ⊗ |
| | 2280060 | Albero eccentrico | Crankshaft | 1 | ▼ | 89 | 1140450 | OR Ø 20,24x2,62 | O-Ring | 1 | ⊗ |

KIT RICAMBI - PART KITS

| A=KIT 2514 valvole valves | | B=KIT 2515 Ø 18 pistoni pistons | | B=KIT 2526 Ø 22 pistoni pistons | | C=KIT 2528 tenute olio oil seals | |
|---------------------------------|------|---------------------------------------|------|---------------------------------------|------|--|------|
| Pos. | Q.ty | Pos. | Q.ty | Pos. | Q.ty | Pos. | Q.ty |
| 3 | 6 | 25 | 3 | 25 | 3 | 16 | 3 |
| 4 | 6 | | | | | 19 | 2 |
| | | | | | | 34 | 1 |
| | | | | | | 38 | 1 |

| D=KIT 2516 Ø 18 tenute acqua water seals | | D=KIT 2527 Ø 22 tenute acqua water seals | | G=KIT 1829 Ø 18 anelli appoggio support rings | | G=KIT 1816 Ø 22 anelli appoggio support rings | |
|--|------|--|------|---|------|---|------|
| Pos. | Q.ty | Pos. | Q.ty | Pos. | Q.ty | Pos. | Q.ty |
| 12 | 3 | 12 | 3 | 11 | 3 | 11 | 3 |
| 14 | 3 | 14 | 3 | | | | |
| 15 | 3 | 15 | 3 | | | | |
| 79 | 3 | 79 | 3 | | | | |

SIMBOLOGIA - SYMBOLS

| | | |
|------------------------------------|------------------------------------|----------------------------------|
| ○ Per / For RKA-SS 2.3 G15 N | □ Per / For RKA-SS 3.6 G15 N | ▼ Per / For RKA-SS 7 G22 N |
| ● Per / For RKA-SS 3 G15 N | ■ Per / For RKA-SS 4.2 G15 N | |

⊗ Compreso nel cod. 2349010 / Part of part n° 2349010