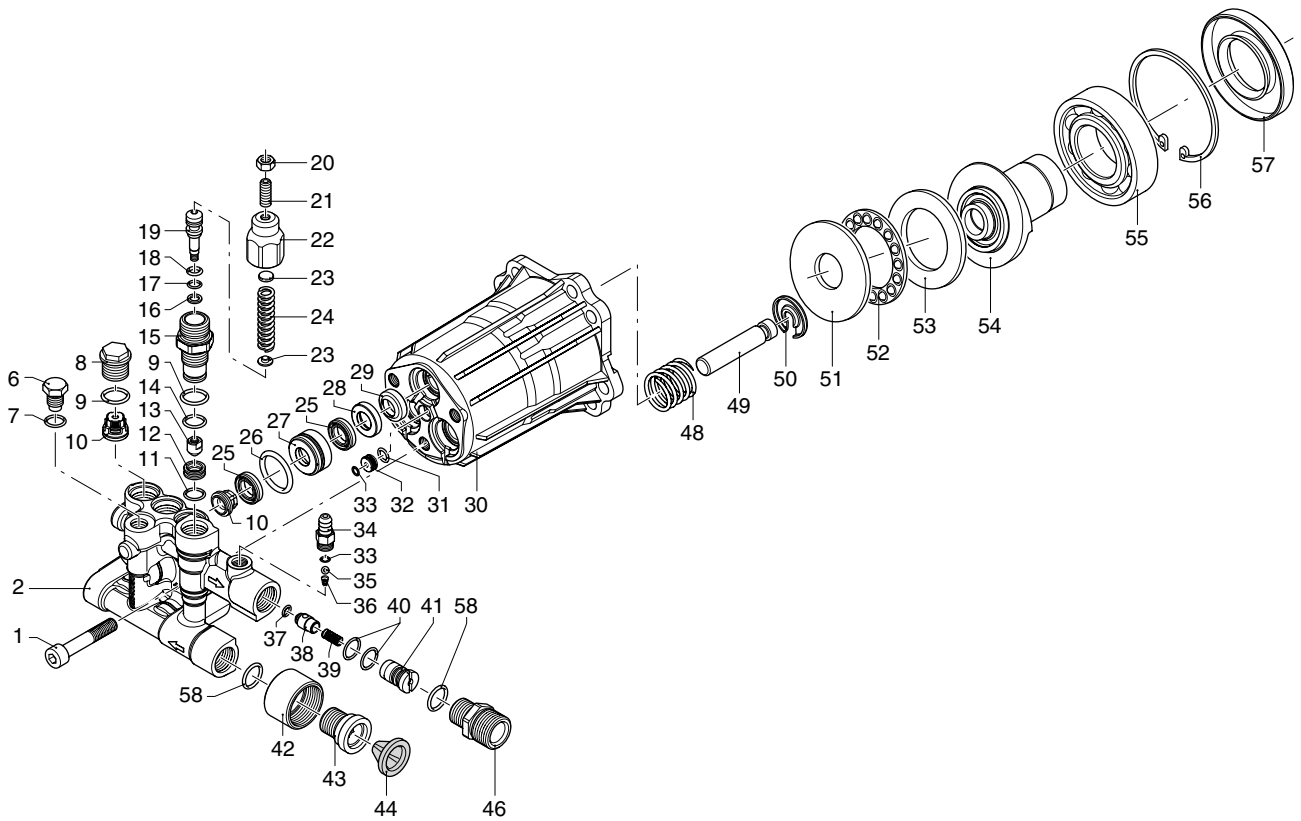


RMV

VERSION **D**

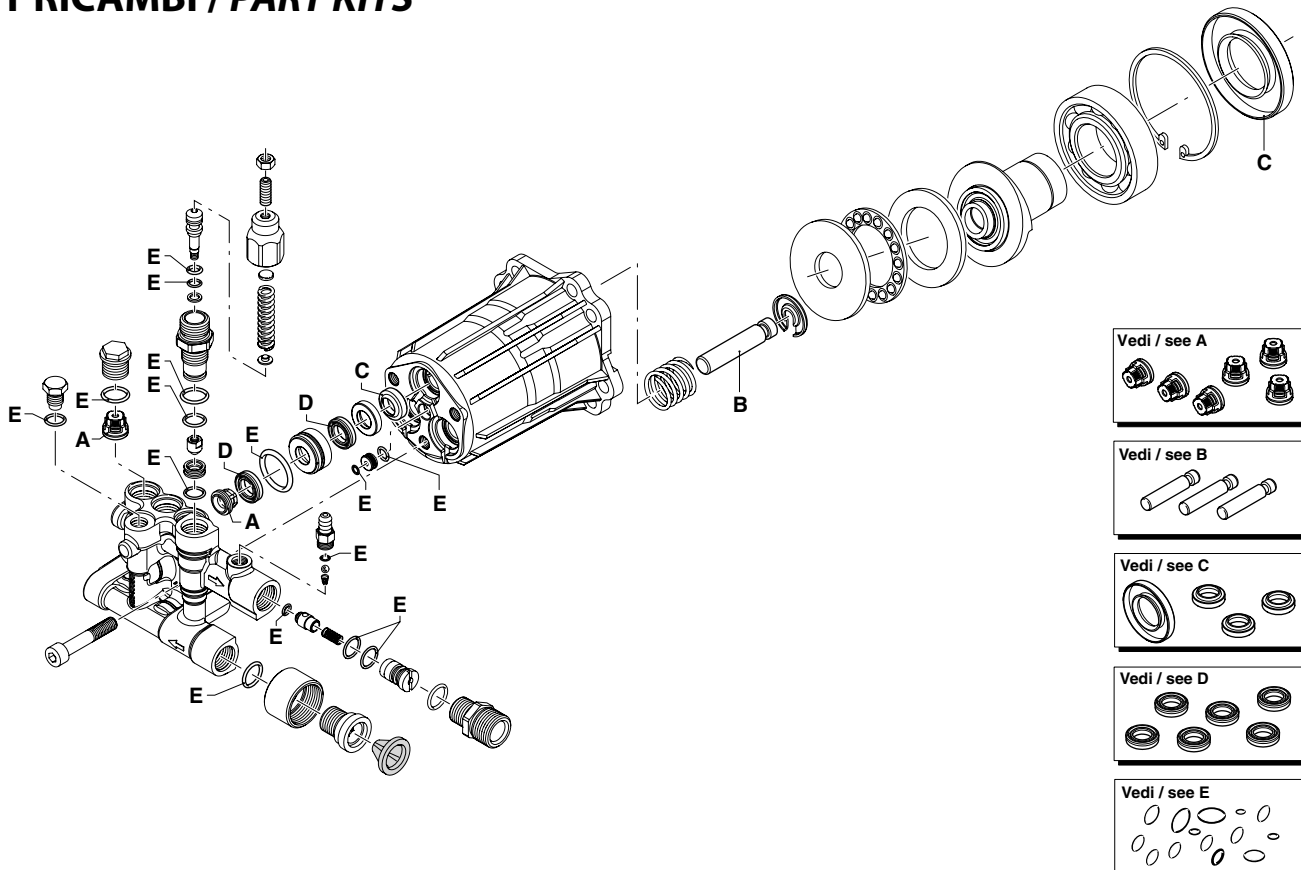
3400_{rpm}

Ø 3/4"



UN001868-GA

KIT RICAMBI / PART KITS



UN001869-GA

RMV

VERSION
D

MODELLO - MODEL:
2.5 G26



Pos.	Cod. Part n°	Denominazione	Description	Q.tà Q.ty	Note Vedi / See	Pos.	Cod. Part n°	Denominazione	Description	Q.tà Q.ty	Note Vedi / See
1	800220	Vite TCEI M 8x40	Screw	3		48	2840060	Molla	Spring	3	
2	2840860	Testa pompa	Pump head	1		49	2840530	Pistone	Piston	3	
6	2840830	Tappo valvola	Plug	1		50	2840050	Anello	Ring	3	
7	600180	OR Ø 7,66x1,78	O-Ring	1		51	1980130	Ralla	Thrust bearing	1	
8	2840130	Tappo valvola	Plug	3		52	1980250	Gabbia completa	Complete cage	1	
9	740290	OR Ø 14x1,78	O-Ring	4		53	1980240	Ralla	Thrust bearing	1	
10	2849050	Valvola completa	Complete valve	6		54	2840730	Albero femmina	Hollow shaft	1	
11	1470210	OR Ø 9x1	O-Ring	1		55	161060	Cuscinetto	Bearing	1	
12	2840770	Sede	Seat	1		56	161050	Anello seeger Øi 72	Circlip	1	
13	2840760	Otturatore by pass	By-pass jet	1		57	2841050	Anello tenuta	Seal	1	
14	820510	OR Ø 10,82x1,78	O-Ring	1		58	2840890	OR Ø 14x2	O-Ring	2	
15	2840750	Guida pistone	Piston guide	1							
16	2760210	Anello antiestrusione	Ring	1							
17	660190	OR Ø 6,07x1,78	O-Ring	1							
18	2260100	OR Ø 6,02x2,62	O-Ring	1							
19	2760400	Pistone	Piston	1							
20	1980300	Dado M 6	Nut	1							
21	392840	Grano M 6X16	Grub screw	1							
22	2760480	Inserto manopola	Handle insert	1							
23	1980220	Piattello molla	Plate spring	2							
24	2760410	Molla	Spring	1							
25	2200141	Guarnizione	Gasket	6							
26	770260	OR Ø 23,52x1,78	O-Ring	3							
27	2840550	Boccola	Bushing	3							
28	2840540	Boccola	Bushing	3							
29	1683500	Anello tenuta	Seal	3							
30	2840230	Corpo pompa	Housing	1							
31	480560	OR Ø 6,75x1,78	O-Ring	1							
32	2840710	Tappo olio	Oil plug	1							
33	480480	OR Ø 4,48x1,78	O-Ring	2							
34	1982520	Portagomma	Hose tail	1							
35	1250280	Sfera	Ball	1							
36	1560520	Molla	Spring	1							
37	1460430	OR Ø 4x2,5	O-Ring	1							
38	2840350	Otturatore	Jet	1							
39	1343580	Molla	Spring	1							
40	800560	OR Ø 8,73x1,78	O-Ring	2							
41	2840340	Iniettore detergente	Detergent injector	1							
42	2840270	Raccordo aspirazione	Suction fitting	1	3/4" NH						
43	2840390	Raccordo aspirazione	Suction fitting	1							
44	1266330	Filtro	Filter	1							
46	2840400	Raccordo mandata	Outlet fitting	1							

KIT RICAMBI - PART KITS

SIMBOLOGIA - SYMBOLS

A=KIT 42123 valvole valves		B=KIT 2234 pistoni pistons		C=KIT 42127 tenute olio oil seals		D=KIT 2235 tenute acqua water seals	
Pos.	Q.ty	Pos.	Q.ty	Pos.	Q.ty	Pos.	Q.ty
10	6	49	3	29	3	25	6
				57	1		

E=KIT 2237 OR O-Rings							
Pos.	Q.ty	Pos.	Q.ty	Pos.	Q.ty	Pos.	Q.ty
7	1	26	3				
9	4	31	1				
11	1	33	2				
14	1	37	1				
17	1	40	2				
18	1	58	2				