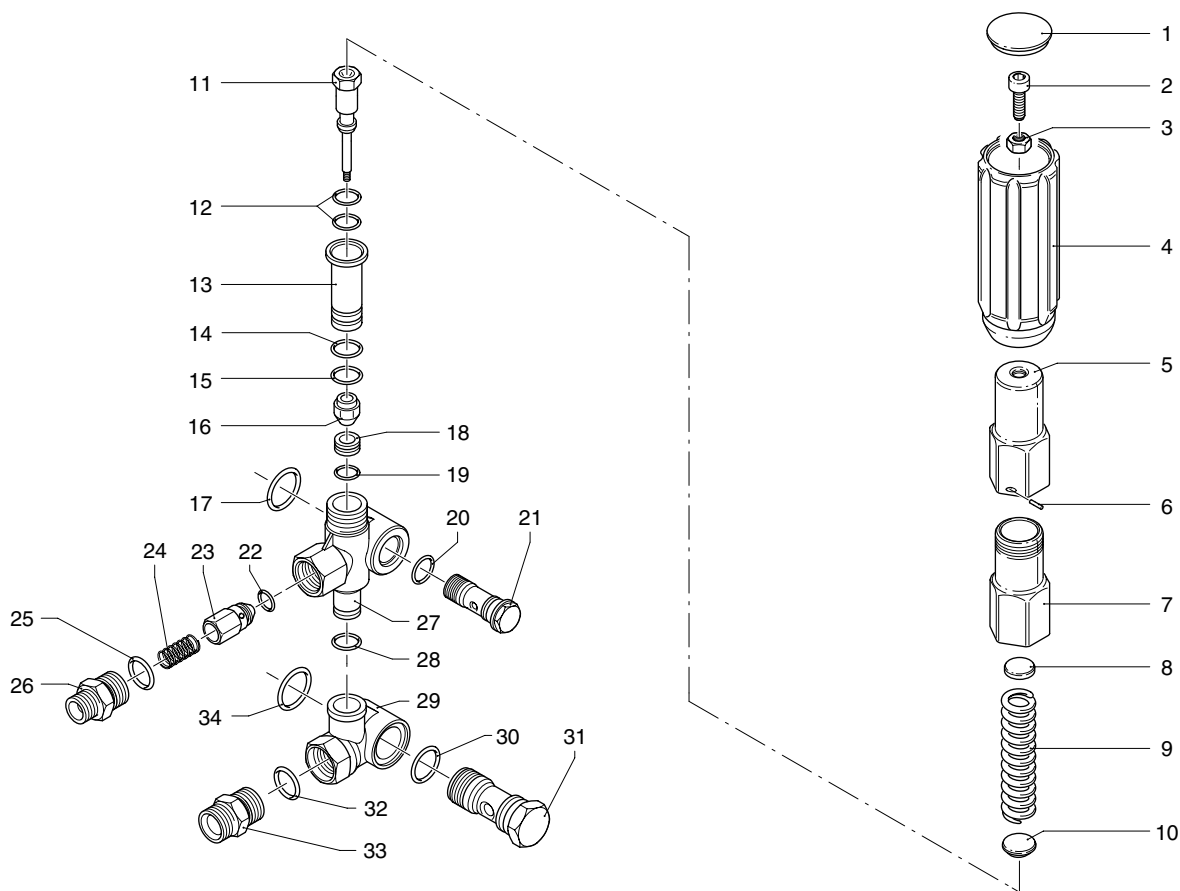
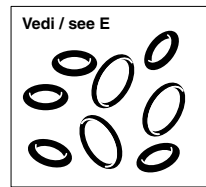
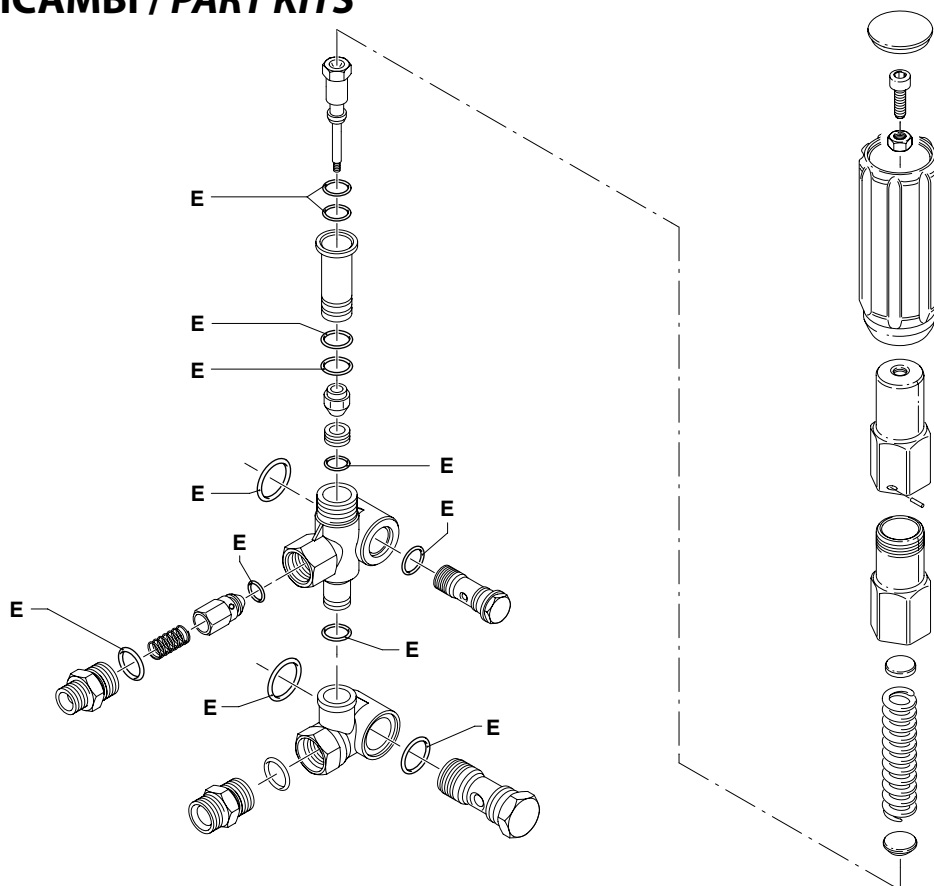


VR 3/B



UN002269-1A

KIT RICAMBI / PART KITS



UN002270-1A

VR 3/B



Pos.	Cod. Part n°	Denominazione	Description	Q.tà Q.ty	Note Vedi / See	Pos.	Cod. Part n°	Denominazione	Description	Q.tà Q.ty	Note Vedi / See
1	1560580	Tappo manopola	Cover	1							
2	320360	Vite TCEI M 8x22	Screw	1							
3	1660210	Dado M 8	Nut	1							
4	1560400	Manopola	Handle	1							
5	1560420	Vite di regolazione	Screw	1							
6	1080070	Spina	Pin	1							
7	2260330	Guida molla	Spring guide	1							
8	2260140	Piattello superiore	Upper plate	1							
9	1560350	Molla	Spring	1							
10	2260340	Piattello inferiore	Lower plate	1							
11	2260060	Pistone	Piston	1							
12	2260100	OR Ø 6,02x2,62	O-Ring	2							
13	2260040	Guida pistone	Piston guide	1							
14	740290	OR Ø 14x1,78	O-Ring	1							
15	394280	OR Ø 12,42x1,78	O-Ring	1							
16	2260070	Otturatore by pass	By-pass jet	1							
17	2260190	OR Ø 20,29x2,62	O-Ring	1							
18	2260080	Sede appoggio	Seat	1							
19	1260740	OR Ø 10,77x2,62	O-Ring	1							
20	390080	OR Ø 11,91x2,62	O-Ring	1							
21	2260180	Vite 3/8" G	Thread screw	1							
22	1560150	OR Ø 5,94x3,53	O-Ring	1							
23	1560100	Otturatore	Jet	1							
24	1560140	Molla	Spring	1							
25	180101	OR Ø 17,5x2	O-Ring	1							
26	1560111	Niples 3/8" G	Adaptor 3/8" G	1	Inox/Steel						
27	2260170	Corpo valvola	Valve housing	1							
28	390080	OR Ø 11,91x2,62	O-Ring	1							
29	1540470	Corpo by-pass	By-pass housing	1	1/2" G						
	1540440	Corpo by-pass	By-pass housing	1	1/2" NPT						
30	880270	OR Ø 17,17x1,78	O-Ring	1							
31	1540260	Vite 1/2" G	Thread screw	1							
32	480440	OR Ø 17,13x2,62	O-Ring	1	Optional						
33	1540050	Raccordo	Fitting	1	Optional						
34	1540630	OR Ø 23,47x2,62	O-Ring	1							

KIT RICAMBI - PART KITS

SIMBOLOGIA - SYMBOLS

E=KIT 2505 OR O-Rings							
Pos.	Q.ty	Pos.	Q.ty	Pos.	Q.ty	Pos.	Q.ty
12	2	22	1				
14	1	25	1				
15	1	28	1				
17	1	30	1				
19	1	34	1				
20	1						

Pos.	Q.ty	Pos.	Q.ty	Pos.	Q.ty	Pos.	Q.ty