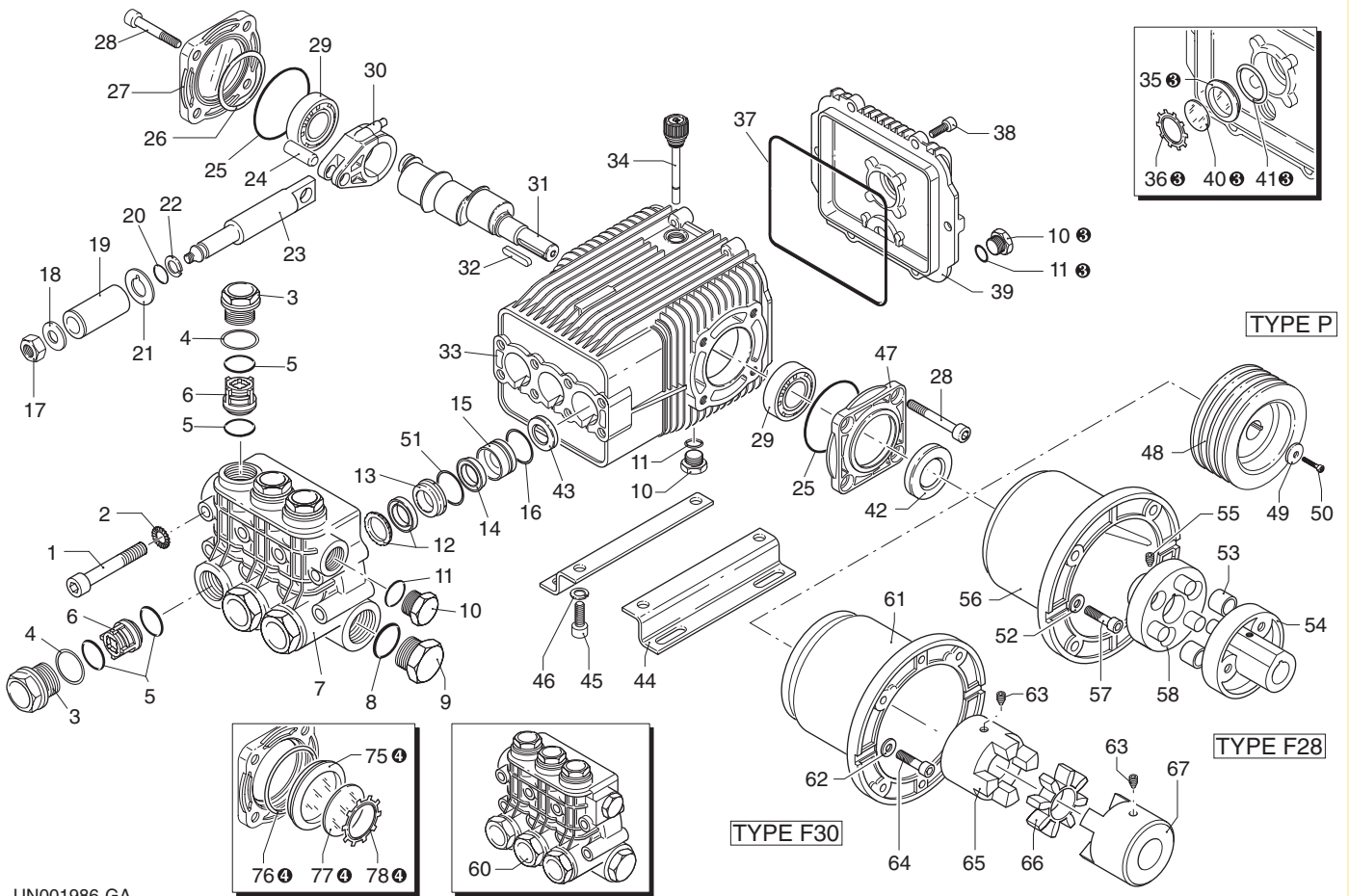


XW

VERSION

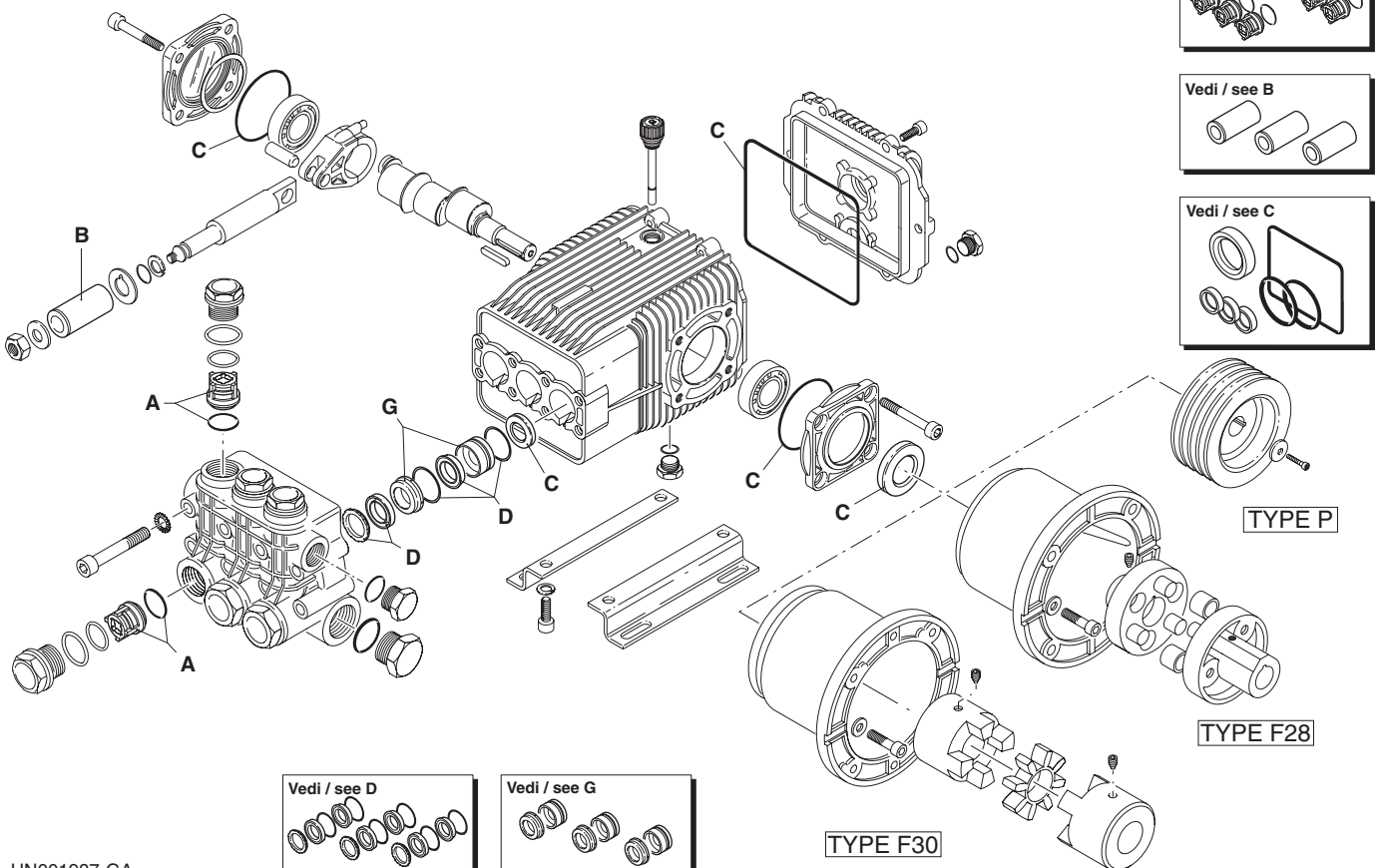
N

1450rpm



UN001986-GA

KIT RICAMBI / PART KITS



UN001987-GA

XW

VERSION N

MODELLO - MODEL:

15.15	15.20	15.30	21.20	21.25
21.28	26.12	26.15	26.20	26.23
30.10	30.15	30.20	30.25	



Pos.	Cod. Part n°	Denominazione	Description	Q.tà Q.ty	Note Vedi / See	Pos.	Cod. Part n°	Denominazione	Description	Q.tà Q.ty	Note Vedi / See
1	1940260	Vite TCEI M 10x80	Screw	8		32	650250	Linguetta	Key	1	
2	650530	Rosetta	Washer	8		33	1941330	Corpo pompa	Pump housing	1	
3	1940140	Tappo	Plug	6		34	1140370	Tappo olio	Oil cap	1	
4	1940150	Anello	Ring	6		35	1260250	Livello olio	Oil indicator	1	⊕
5	1140450	OR ø 20,24x2,62	O-Ring	12		36	1260430	Anello elastico	Snap ring	1	⊕
6	1949050	Valvola completa	Complete valve	6		37	1940410	OR ø 132x3	O-Ring	1	
7	1940021	Testa pompa	Pump head	1	● ◆ ○ ■	38	1200430	Vite TCEI M 6x16	Screw	6	
	1941210	Testa pompa	Pump head	1	▲	39	1949010	Cop. post. compl.	Complete cover	1	
8	550350	OR ø 23,81x2,62	O-Ring	1		40	1780690	Disco di contrasto	Disc	1	⊕
9	1140300	Tappo 3/4" G	Plug	1		41	1140450	OR ø 20,24x2,62	O-Ring	1	⊕
10	1980740	Tappo 3/8" G	Plug	3	⊕	42	820680	Anello tenuta	Seal	1	
11	740290	OR ø 14x1,78	O-Ring	3	⊕	43	1940560	Anello tenuta	Seal	3	
12	1940440	Guarn.+anello	Gasket w/ ring	3	∅ 20 ● ◆ ○ ■	44	1940370	Piede	Base	2	Optional
	1940270	Guarn.+anello	Gasket w/ ring	3	∅ 22 ▲	45	1940380	Vite TCEI M 10x18	Screw	4	Optional
13	1940430	Guida pist. ant.	Front piston guide	3	∅ 20 ● ◆ ○ ■	46	200231	Rosetta	Washer	4	Optional
	1940200	Guida pist. ant.	Front piston guide	3	∅ 22 ▲	47	1941240	Supporto aperto	Open bearing sup.	1	
14	1940470	Guarnizione	Gasket	3	∅ 20 ● ◆ ○ ■	48	1940290	Puleggia	Pulley	1	
	1940480	Guarnizione	Gasket	3	∅ 22 ▲	49	780230	Rondella	Washer	1	
15	1940450	Guida pist. post.	Rear piston guide	3	∅ 20 ● ◆ ○ ■	50	780060	Vite TCEI M 6x25	Screw	1	
	1940460	Guida pist. post.	Rear piston guide	3	∅ 22 ▲	51	1941220	OR ø 22x2	O-Ring	3	Tagliato/Cutted
16	820490	OR ø 34,65x1,78	O-Ring	3		52	390311	Rondella Øi 8,5	Washer	4	
17	1940570	Dado	Nut	3		53	1321670	Boccola	Bushing	6	
18	1940580	Rosetta	Washer	3		54	1380340	Semigiunto motore	Motor coupling	1	
19	1420430	Pistone	Piston	3	∅ 20 ● ◆ ○ ■	55	1380180	Grano M 6x10	Grub screw	2	
	1420120	Pistone	Piston	3	∅ 22 ▲	56	1940890	Flangia motori B3/B14	El. motor flange	1	B3/B14
20	880840	OR ø 9,25x1,78	O-Ring	3		57	620610	Vite TCEI M 8x30	Screw	4	
21	960460	Disco separatore	Spacer	3		58	1940870	Semigiunto pompa	Pump coupling	1	
22	1940120	Anello	Ring	3		59	1949200	Prem.testa	Head pre-assembly	1	∅ 20 ● ◆ ○ ■
23	1940070	Pistone di guida	Guiding piston	3		60	1949203	Prem.testa	Head pre-assembly	1	∅ 22 ▲
24	1940060	Spinotto	Piston pin	3		61	1383080	Flangia motori B3/B14	El. motor flange	1	B3/B14
25	1941380	OR ø 66,34x2,62	O-Ring	2		62	390311	Rondella Øi 8,5	Washer	4	
26	1941390	Spessore 0,05 mm	0,05 mm shim	1÷3		63	1380180	Grano M 6x10	Grub screw	2	
	1941400	Spessore 0,10 mm	0,10 mm shim	1÷3		64	620610	Vite TCEI M 8x30	Screw	4	
	1941410	Spessore 0,19 mm	0,19 mm shim	1÷3		65	1383100	Semigiunto pompa	Pump coupling	1	
	1941420	Spessore 0,25 mm	0,25 mm shim	1÷3		66	1940850	Anello elastico	Ring	1	
27	1949011	Coperchio lat. compl.	Comp. side cover	1		67	1383090	Semigiunto motore	Motor coupling	1	
28	850370	Vite TCEI M 8x16	Screw	8		75	1941270	Livello olio	Oil indicator	1	⊕
29	1941370	Cuscinetto	Bearing	2	●	76	100410	OR ø 34,6x2,62	O-Ring	1	⊕
	1140410	Cuscinetto	Bearing	2	◆ ○ ■ ▲	77	1941260	Disco di contrasto	Disc	1	⊕
30	1940050	Biella	Con-rod	3		78	1941290	Anello elastico	Snap ring	1	⊕
31	1940520	Albero eccentrico	Crank shaft	1	● ◆						
	1940180	Albero eccentrico	Crank shaft	1	○						
	1940160	Albero eccentrico	Crank shaft	1	■ ▲						

KIT RICAMBI - PART KITS

A=KIT 2780 valvole valves		B=KIT 2650 ø 20 pistoni pistons		B=KIT 1891 ø 22 pistoni pistons		C=KIT 2781 tenute olio oil seals	
Pos.	Q.ty	Pos.	Q.ty	Pos.	Q.ty	Pos.	Q.ty
5	6	19	3	19	3	25	2
6	6					37	1
						42	1
						43	3

D=KIT 2782 ø 20 tenute acqua water seals		D=KIT 2783 ø 22 tenute acqua water seals		G=KIT 2784 ø 20 guida pistoni pistons guide		G=KIT 2785 ø 22 guida pistoni pistons guide	
Pos.	Q.ty	Pos.	Q.ty	Pos.	Q.ty	Pos.	Q.ty
12	3	12	3	13	3	13	3
14	3	14	3	15	3	15	3
16	3	16	3				
51	3	51	3				

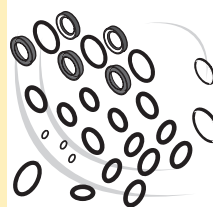
SIMBOLOGIA - SYMBOLS

● Per / For XW 15.15 XW 15.20	○ Per / For XW 21.20 XW 21.25 XW 21.28	■ Per / For XW 26.12 XW 26.15 XW 26.20 XW 26.23	▲ Per / For XW 30.10 XW 30.15 XW 30.20 XW 30.25
◆ Per / For XW 15.30			

⊕ Compreso nel cod. 1949010 / Part of part n° 1949010

⊕ Compreso nel cod. 1949011 / Part of part n° 1949011

PARTI SPECIALI IN VITON SPECIAL PARTS



Cod. Part n°	Denominazione Description	Q.tà Q.ty
2778	Tenute acqua/Water seals ø 20	1
2779	Tenute acqua/Water seals ø 22	1