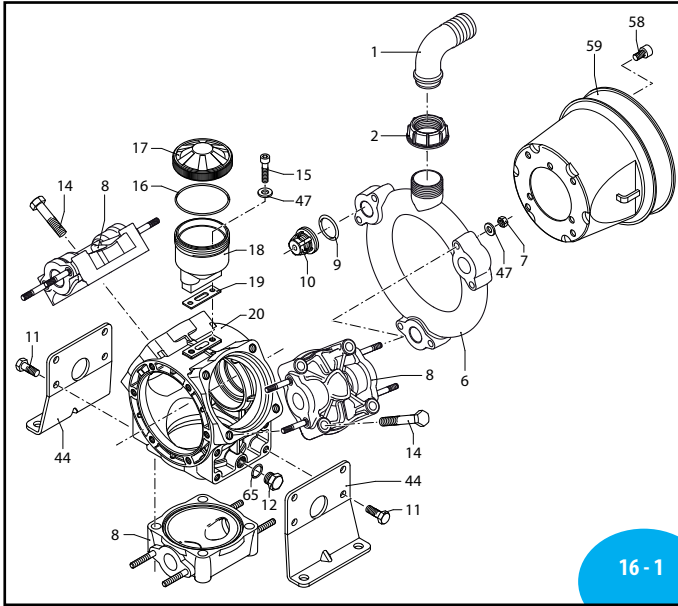
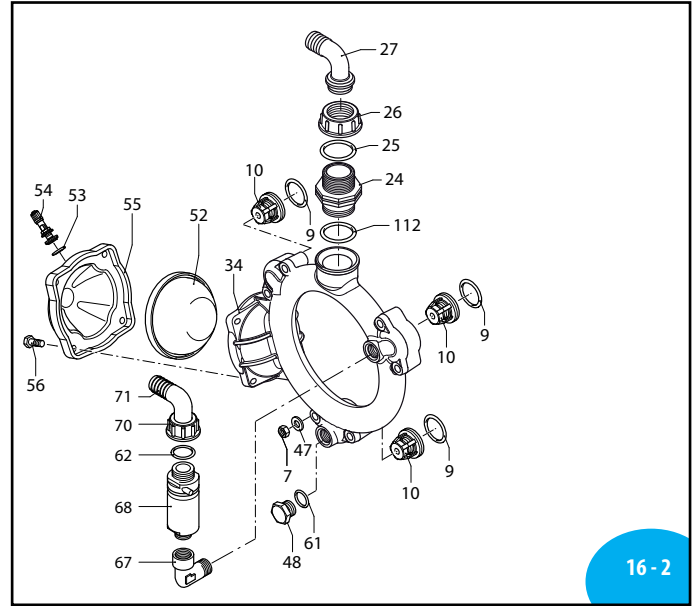


AR 125 bp - AR 145 bp



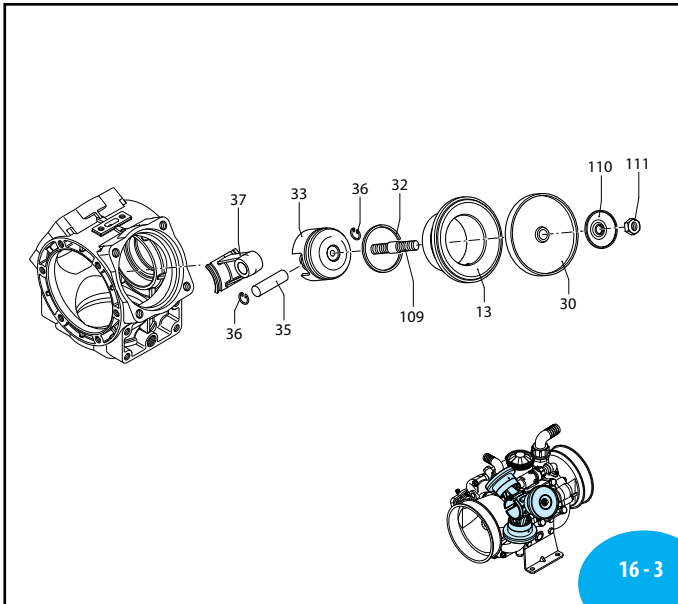
16 - 1

SLO00332-EU



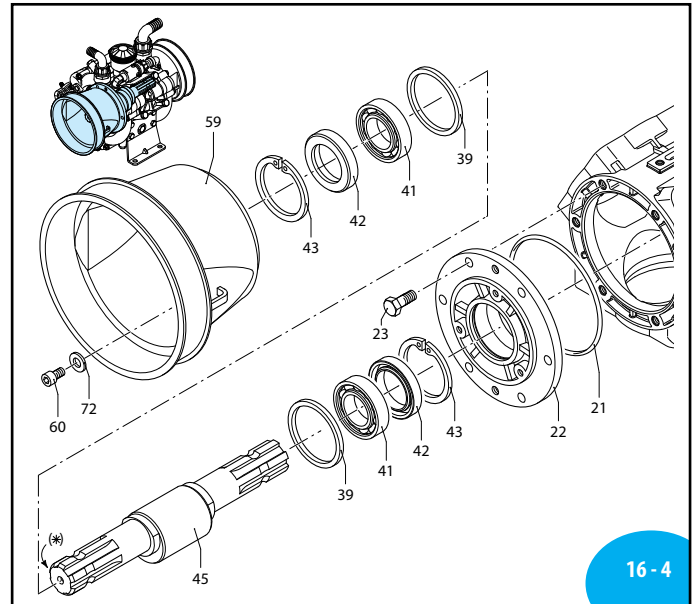
16 - 2

UN000658-ND



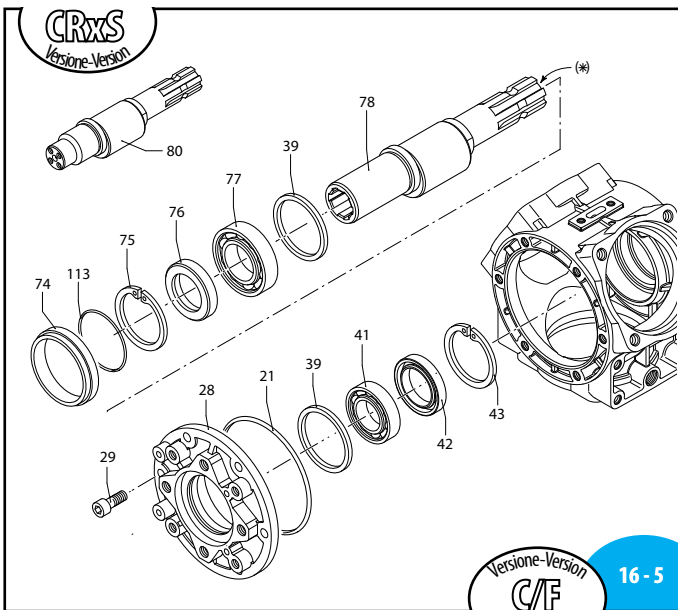
16 - 3

SLO00127-EX



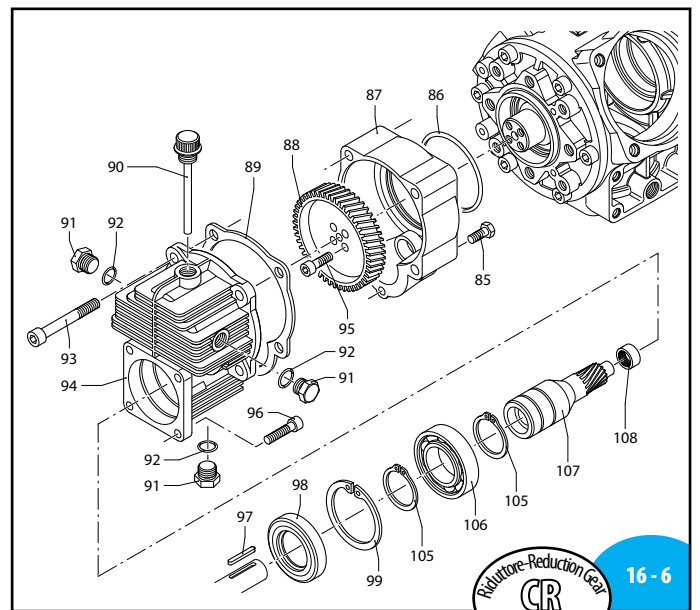
16 - 4

UN000660-IB



16 - 5

UN000661-IB



16 - 6

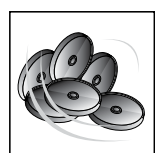
UN000662-IB

AR 125 bp - AR 145 bp

Pos.	Cod.	Descrizione	Description	Q.ty	Note
1	50267	Curva ø 40	Elbow	1	
2	750670	Girello 1"1/2 G	Ring nut	1	
5	390290	OR ø 29x3	O-Ring	1	▶
6	2420390	Condotto aspirazione	Suction manifold	1	
7	380242	Dado M 8	Nut	12	Geomet C ₂₀
8	751350	Testa porta valvole	Head	3	
9	680070	OR ø 31,5x4,25	O-Ring	6	90 Sh ▶
10	759051	Valvola completa	Complete valve	6	
11	620341	Vite TE M 10x20	Bolt	8	⊕ C ₂₀
12	880530	Tappo 3/8" G	Plug	1	C ₂₀
13	750110	Camicia	Sleeve	3	AR 125 bp
	750115	Camicia	Sleeve	4	AR 145 bp
14	750061	Vite TE M 12x65	Bolt	12	Geomet C ₅₀
15	680350	Vite TCEI M 8x35	Bolt	2	C ₁₀
16	1040060	OR ø 72,69x2,62	O-Ring	1	▶
17	750057	Tappo serbatoio nero	Black oil tank cap	1	AR 125 bp
	750052	Tappo serbatoio rosso	Red oil tank cap	1	AR 145 bp
18	750030	Serbatoio olio	Oil tank	1	
19	750040	Guarnizione serbatoio	Gasket	1	⊗
20	2420010	Corpo pompa	Pump body	1	
21	851360	OR ø 120,32x2,62	O-Ring	1	▶
22	680020	Supporto albero	Shaft support	1	⊗ ⊗
23	160672	Vite TE M 10x25	Bolt	6	Geomet ⊕ C ₄₀
24	760860	Nipples 1"1/4 G (M-M)	Threaded adapter	1	
25	550040	OR ø 26,65x2,62	O-Ring	1	▶
26	651100	Girello 1"1/4 G	Ring nut	1	
27	651460	Curva	Elbow	1	
28	2420181	Supporto albero	Shaft support	1	
29	160671	Vite TCEI M 10x25	Bolt	6	■ C ₃₅
	550080	Membrana	Diaphragm	3	Gomma
	550084	Membrana	Diaphragm	3	Viton
	550085	Membrana	Diaphragm	3	Desmopan
	550086	Membrana	Diaphragm	3	H.P.D.S.
32	500260	Segmento	Piston ring	3	
33	750122	Pistone	Piston	3	
34	2420400	Condotto mandata	Manifold	1	
35	160700	Spinotto	Pin	3	
36	160691	Anellino spinotto	Pin ring	6	
37	2420070	Biella	Connecting rod	3	
39	2420080	Anello biella	Con rod ring	2	
41	230350	Cuscinetto	Bearing	2	⊗
42	160740	Anello tenuta	Seal ring	2	⊗
43	200390	Anello seeger	Circlip	2	
44	2420041	Piede	Base	2	
45	2420060	Albero eccentrico "C/C"	"C/C" shaft	1	AR 125 bp (BB)
	2420050	Albero eccentrico "C/C"	"C/C" shaft	1	AR 145 bp (AW)
47	380243	Rosetta øi 8,5	Washer	14	Geomet
48	330173	Tappo 1/2" G	Plug	1	▶ C ₄₀
	550190	Semicamera aria	Semi air chamber	1	Gomma
	550191	Semicamera aria	Semi air chamber	1	Saturflon
	550192	Semicamera aria	Semi air chamber	1	Viton
	550193	Semicamera aria	Semi air chamber	1	H.P.D.S.
53	650542	Guarnizione	Gasket	1	
54	550300	Valvola di gonfiaggio	Air valve	1	

Pos.	Cod.	Descrizione	Description	Q.ty	Note
55	550233	Semisfera superiore	Upper air chamber	1	
56	550680	Vite TE M 8x20	Bolt	4	C ₂₀
58	820670	Vite TCEI M 10x16	Bolt	4	
59	1500470	Protezione cardano	Cardan protection	2	
60	850251	Vite TCEI M 8x12	Bolt	3	Geomet C ₁₀
61	180101	OR ø 17,5x2	O-Ring	2	
62	1150640	OR ø 17x3,5	O-Ring	1	
65	740290	OR ø 14x1,78	O-Ring	1	
67	881560	Gomito 90° 1/2"G (M)-(F)	Elbow	1	■
68	1609000	Valvola di sicurezza	Safety valve	1	■
69	880831	OR ø 15,54x2,62	O-Ring	1	Viton ▶
70	550450	Girello 3/4" G	Ring nut	1	
71	550460	Curva ø 18	Elbow	1	
72	390314	Rondella øi 8,5	Washer	3	Geomet
74	2420250	Anello centraggio	Bushing	1	
75	620330	Anello seeger	Circlip	1	
76	1800090	Anello tenuta	Seal ring	1	⊗
77	230310	Cuscinetto	Bearing	1	⊗
78	2420200	Albero eccentric. "C/F"	"C/F" shaft	1	AR 125 bp (BM)
	2420190	Albero eccentric. "C/F"	"C/F" shaft	1	AR 145 bp (BL)
	2420300	Albero eccentric. "CRxS"	"CRxS" shaft	1	AR 125 bp (BD)
	2420270	Albero eccentric. "CRxS"	"CRxS" shaft	1	AR 145 bp (BC)
85	180432	Vite TE M 8x20	Bolt	1	C ₂₀
86	620561	OR ø 78x2,5	O-Ring	1	▶
87	621000	Coperchio riduttore	Gear cap	1	
88	550930	Ruota dentata	Gear	1	Z= 64
89	620950	Guarnizione scatola	Gasket	1	
90	1140370	Tappo olio + OR	Oil plug + o-ring	1	C ₂₀
91	1980740	Tappo 3/8" G	Plug	3	Ottone/Brass ⊕ C ₄₀
92	740290	OR ø 14x1,78	O-Ring	3	▶
93	621010	Vite TCEI M 10x75	Bolt	4	⊕ C ₄₀
94	620960	Scatola riduttore	Gear box	1	
95	540290	Vite TCEI M 8x25	Bolt	4	⊕ C ₂₀
96	651000	Vite TCEI 5/16"	Bolt	4	5/16"x24UNF x 1" C ₂₀
97	881090	Linguetta	Key	1	
98	961800	Anello tenuta	Seal ring	1	⊗
99	961790	Anello seeger	Circlip	1	
105	320240	Anello seeger	Circlip	2	
106	961780	Cuscinetto	Bearing	1	⊗
107	621660	Pignone	Pinion	1	Z= 11
108	620990	Cuscinetto	Bearing	1	⊗
109	2240100	Prigioniero	Stud	3	■ C ₃₇
110	751250	Piattello	Plate	3	
111	2240110	Dado	Nut	3	● C ₃₀
112	390210	OR ø 39,69x3,53	O-Ring	1	▶
113	580230	OR ø 69,52x2,62	O-Ring	1	▶

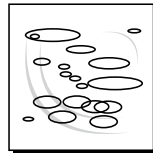
Bassa Pressione
Low Pressure



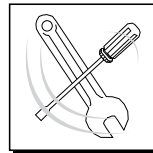
KIT 2367	
Membrane gomma Buna diaphragms	
KIT 2368	
Membrane HPDS HPDS diaphragms	
KIT 2369	
Membrane Desmopan Desmopan diaphragms	
Pos.	Q.ty
30	3



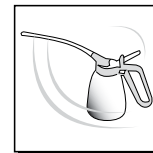
KIT 2445	
Valvole Valves	
Pos.	Q.ty
9	6
10	6



KIT 2462	
OR O-Rings	
Pos.	Q.ty
5	3
9	6
16	1
25	1
61	2
65	1
86	1



KIT 2463					
Pronto intervento Maintenance repair					
Pos.	Q.ty	Pos.	Q.ty	Pos.	Q.ty
1	1	17	1	27	1
2	1	18	1	30	3
4	1	19	1	42	2
5	3	21	1	52	1
9	6	24	1	109	2
10	6	25	1	110	2
16	1	26	1	111	2



Olio utilizzato Used oil	
Tipo - Type	Kg
SAE 30	1,2