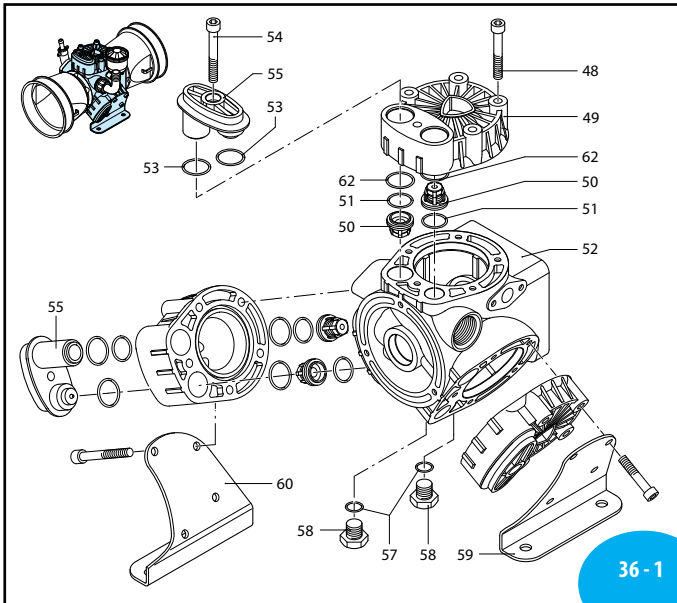
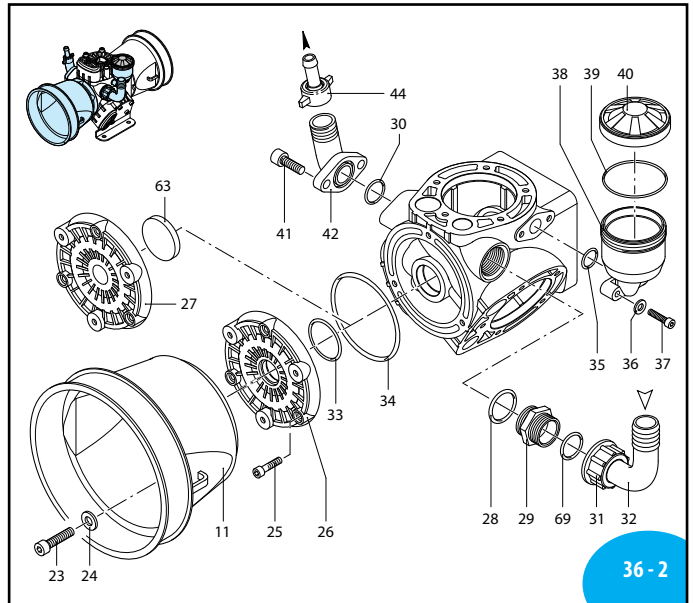


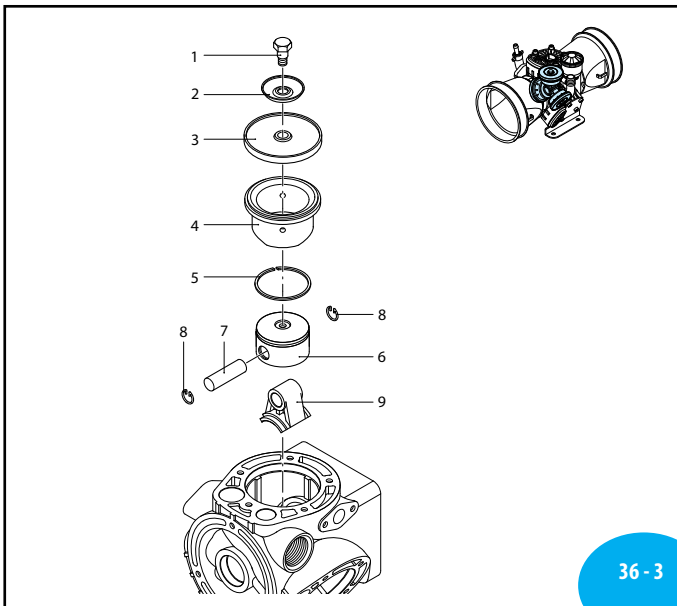
1888660



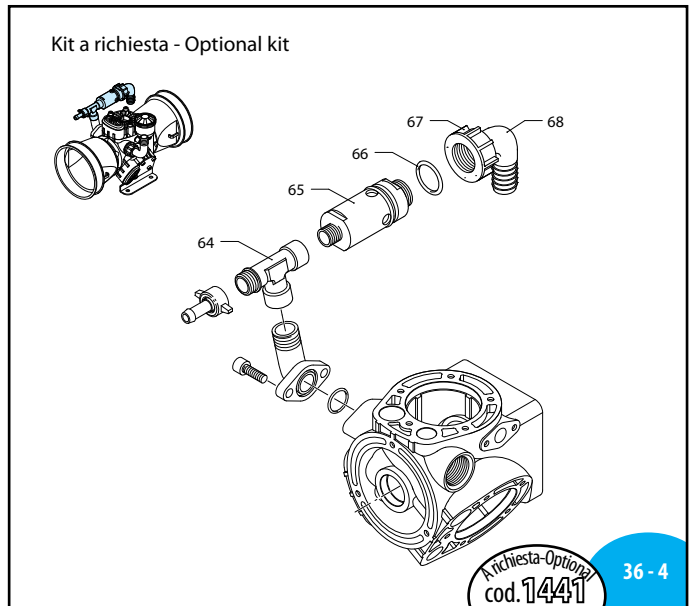
UN970255-DD



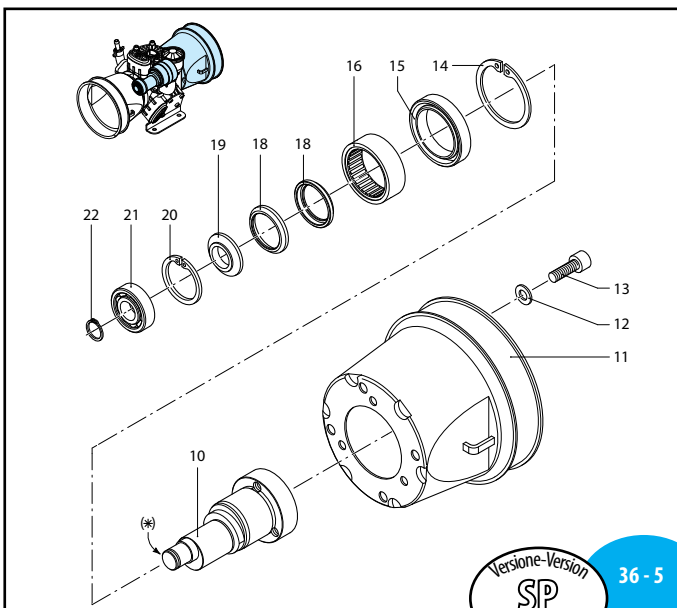
UN970256-DD



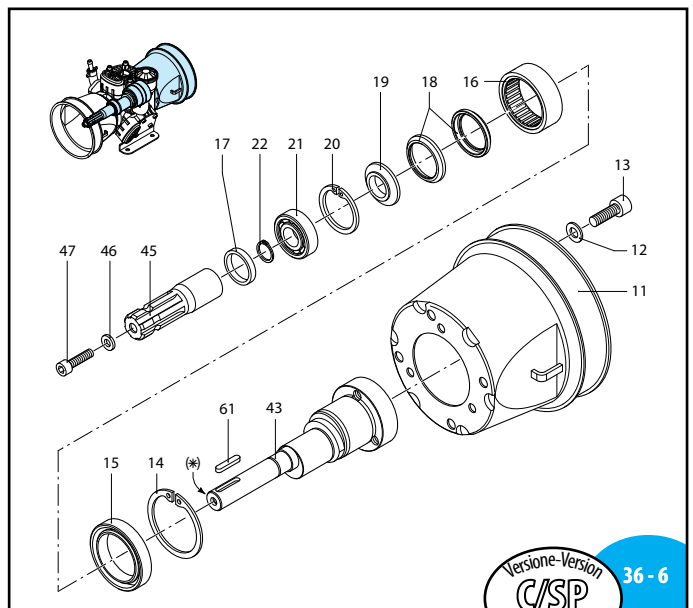
UN970257-DD



UN000247-DD



UN970258-DD



UN970259-DD

# AR 303 - AR 403

Pos.	Cod.	Descrizione	Description	Q.ty	Note
1	800090	Perno membrana	Diaphragm pin	3	● C <sub>20</sub>
	800091	Perno membrana	Diaphragm pin	3	Viton ● C <sub>20</sub>
2	800350	Piattello	Plate	3	
	800080	Membrana	Diaphragm	3	Gomma
	800081	Membrana	Diaphragm	3	Viton
	800085	Membrana	Diaphragm	3	Desmopan
	800086	Membrana	Diaphragm	3	H.P.D.S.
	1880440	Camicia	Sleeve	3	AR 403 Viton
	1880441	Camicia	Sleeve	3	AR 303 Viton
	1880050	Camicia	Sleeve	3	AR 403
	1880051	Camicia	Sleeve	3	AR 303
5	1880110	Segmento	Piston ring	3	
6	1880060	Pistone	Piston	3	
7	1880120	Spinotto	Piston pin	3	
8	380080	Anellino spinotto	Pin ring	6	
9	1880070	Biella	Connecting rod	3	
10	1880101	Albero eccentrico "SP"	"SP" shaft	1	AR 303 (2)
	1880100	Albero eccentrico "SP"	"SP" shaft	1	AR 403 (1)
11	1500350	Protezione cardano	Cardan protection	1	
12	900270	Rosetta ø 10,5	Washer	4	
13	820670	Vite TCEI M 10x16	Bolt	4	C <sub>10</sub>
14	620330	Anello seeger	Circlip	1	
15	620130	Anello tenuta	Seal ring	1	▶
16	550060	Boccola a rullini	Roller bushing	1	
17	1880190	Anello tenuta	Seal ring	1	
18	1880180	Anello biella	Con rod ring	2	
19	1880170	Distanziale cuscinetto	Spacer	1	
20	111120	Anello seeger	Circlip	1	
21	1461430	Cuscinetto	Bearing	1	
22	620291	Anello seeger	Circlip	1	
23	850250	Vite TCEI M 8x12	Bolt	3	C <sub>10</sub>
24	380241	Rosetta ø 8,5	Washer	3	
25	780060	Vite TCEI M 6x25	Bolt	3	C <sub>10</sub>
26	1880021	Condotto aspiraz. "AP"	"AP" suction manifold	1	
27	1880020	Condotto aspiraz. "C/SP"	"C/SP" suction manifold	1	
28	390290	OR ø 29x3	O-Ring	1	▶
29	550340	Niples 1"G(M)-1"G(M)	Threaded adapter	1	
30	550350	OR ø 23,81x2,62	O-Ring	1	☒
31	550242	Girello 1" G	Ring nut	1	
32	550370	Curva ø 25	Elbow	1	
33	390201	OR ø 39,34x2,62	O-Ring	1	Per / For C/SP vers.▶
34	1880130	OR ø 88,57x2,62	O-Ring	1	
35	390180	OR ø 18,72x2,72	O-Ring	1	
36	550331	Rosetta ø 6,5	Washer	2	
37	1200440	Vite TCEI M 6x35	Bolt	2	C <sub>10</sub>
38	1040310	Serbatoio olio	Oil tank	1	
39	650920	OR ø 26,65x2,62	O-Ring	1	▶
40	1040322	Tappo serbatoio nero	Black oil tank cap	1	AR 303

Pos.	Cod.	Descrizione	Description	Q.ty	Note
40	1040320	Tappo serbatoio rosso	Red oil tank cap	1	AR 403
41	540290	Vite TCEI M 8x25	Bolt	2	C <sub>20</sub>
42	450145	Flangia raccordo	Flange	1	
43	1880160	Albero eccentrico "C/SP"	"C/SP" shaft	1	AR 403 (4)
44	110130	Racc.1/2"G+tub. ø13	Fitting 1/2"G+hose ø13	1	ex 10130
45	621370	Giunto	Universal joint	1	
46	961340	Rosetta ø 8,5	Washer	1	
47	680350	Vite TCEI M 8x35	Bolt	1	C <sub>20</sub>
48	800860	Vite TCEI M 8x55	Bolt	12	C <sub>20</sub>
49	1880030	Testa	Head	3	
50	1889051	Valvola completa	Complete valve	6	
51	1140450	OR ø 20,24x2,62	O-Ring	6	▶
52	1880010	Corpo pompa	Pump body	1	
53	1260420	OR ø 26,7x1,78	O-Ring	6	▶
54	280080	Vite TCEI M 8x60	Bolt	3	C <sub>20</sub>
55	1880040	Coperchio valvole	Valve cover	3	
57	740290	OR ø 14x1,78	O-Ring	2	▶
58	880530	Tappo 3/8" G	Plug	2	C <sub>20</sub>
59	1880080	Piede DX	Right base	1	
60	1880090	Piede SX	Left base	1	
61	620680	Linguetta	Key	1	
62	780050	OR ø 28,25x1,78	O-Ring	6	▶
63	1880380	Cappello	Cover	1	Per / For SP version
64	1620450	Raccordo a T (M-F-F)	Fitting	1	Optional
65	1609001	Valvola di sicurezza	Safety valve	1	Optional ■
66	880831	OR ø 15,54x2,62	O-Ring	1	Viton / Optional ▶
67	550450	Girello 3/4" G	Ring nut	1	Optional
68	550460	Curva ø 18	Elbow	1	Optional
69	550350	OR ø 23,81x2,62	O-Ring	1	▶

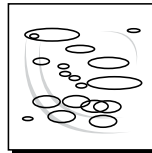
Media Pressione  
Medium Pressure



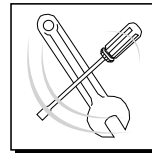
KIT 2387 Membrane gomma Buna diaphragms	
Pos.	Q.ty
3	
3	



KIT 2388 Valvole Valves	
Pos.	Q.ty
50	6
51	6



KIT 2389 OR O-Rings	
Pos.	Q.ty
28	1
30	2
33	1
34	1
35	1
39	1
51	9
53	6
57	2
62	6



KIT 2390 Pronto intervento Maintenance repair					
Pos.	Q.ty	Pos.	Q.ty	Pos.	Q.ty
1	3	35	1	62	6
3	3	38	1		
15	1	39	1		
17	1	40	1		
28	1	50	6		
30	2	51	9		
31	1	53	6		
32	1	55	2		
33	1	56	1		
34	1	57	2		



Olio utilizzato Used oil	
Tipo - Type	Kg
SAE 30	0,4