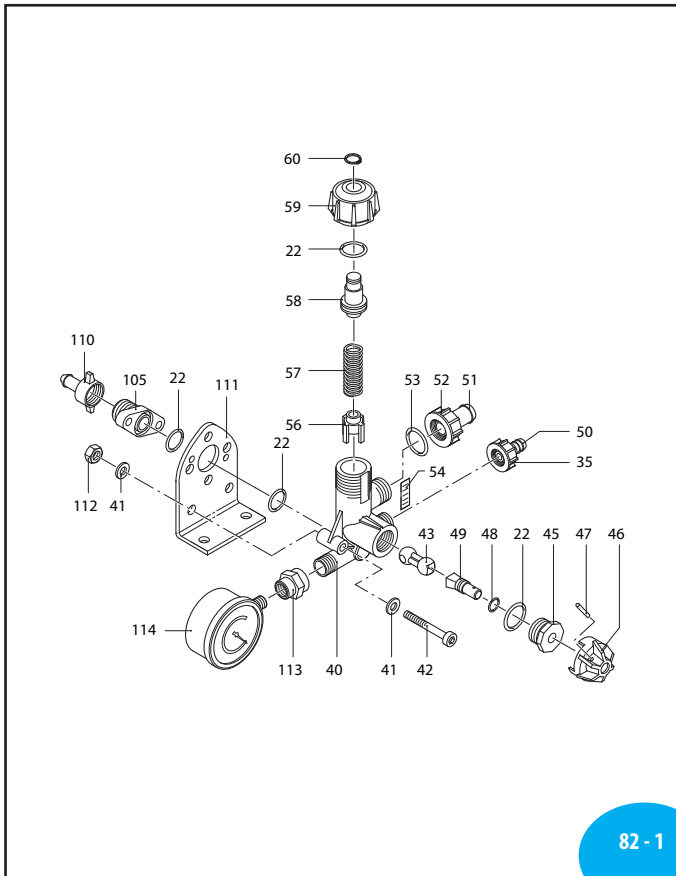


ANNOVIREVERBERI

VR 20 S

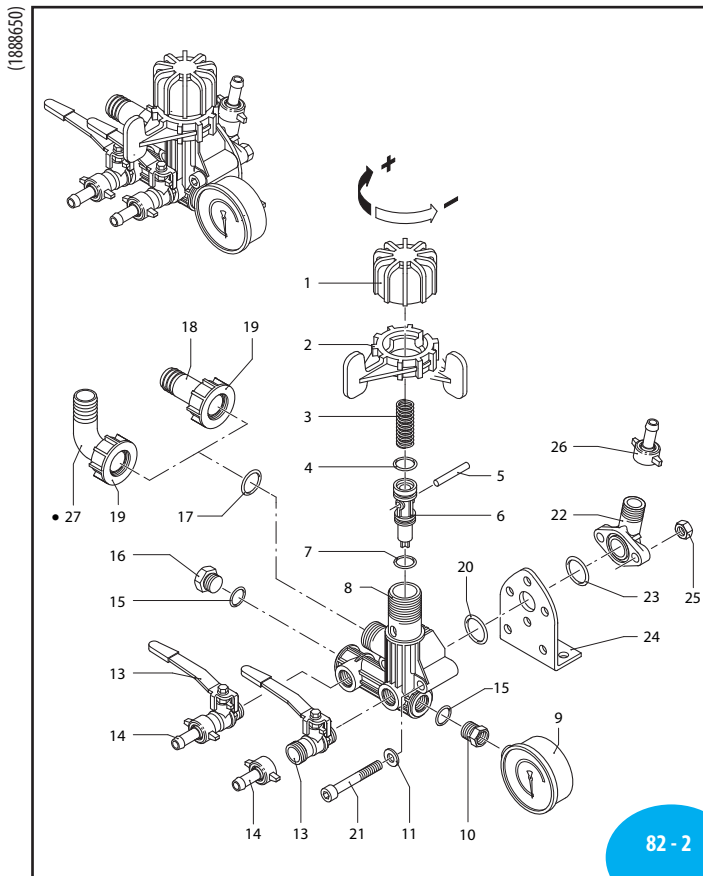


UN970163-LJ

Pos.	Cod.	Descrizione	Description	Q.ty	Note
22	480440	OR ø 17,13x2,62	O-Ring	4	▶
35	800520	Girello 3/8" G	Ring nut	1	
40	800400	Corpo valvola reg.	Valve body	1	
41	550331	Rosetta øi 6,5	Washer	4	
42	801080	Vite TCEI M 6x50	Bolt	2	C ₁₀
43	800430	Valvola	Valve	1	
45	800500	Ghiera	Ring nut	1	
46	800510	Manopola apertura	Knob	1	
47	390330	Spina elastica	Pin	1	
48	800560	OR ø 8,73x1,78	O-Ring	1	▶
49	800490	Perno ruotismo	Pivot	1	
50	800531	Tubetto ø 11	Hose tail	1	
51	800670	Tubetto ø 15	Hose tail	1	
52	800680	Girello M 22x1,5	Ring nut	1	
53	740290	OR ø 11,11x1,78	O-Ring	1	▶
54	800480	Adesivo scala atm	Atm scale adhesive	1	
56	800440	Guida inferiore molla	Lower spring guide	1	
57	800450	Molla	Spring	1	
58	800460	Guida superiore molla	Upper spring guide	1	
59	800470	Manopola reg. valvola	Adjustment knob	1	
60	480550	Anello seeger	Circlip	1	
105	800692	Flangia mand. 1/2" G	Flange	1	
110	110130	Racc. 1/2" G+tub. ø13	Fitting 1/2" G+hose ø13	1	
111	320407	Staffa GS	Bracket	1	
112	390440	Dado M 6	Nut	2	
113	801060	Manic. 3/8"-1/4" G(F)-(F)	Adapter	1	⊕
114	801050	Manometro ø 63	Pressure gauge	1	0-30 bar ⊕

82 - 1

GR 20 S



UN000242-IF

(2023)

Pos.	Cod.	Descrizione	Description	Q.ty	Note
1	1880220	Manopola	Adjustment knob	1	
2	1880210	Ghiera sgancio press.	Ring nut	1	
3	1880331	Molla	Spring	1	⊗
4	480441	OR ø 17,13x2,62	O-Ring	1	Viton ⊗
5	1880240	Spinotto	Pin	1	⊗
6	1889201	Otturatore	Jet	1	
7	1880260	OR ø 15,08x2,62	O-Ring	1	⊗
8	1880200	Corpo valvola	Valve body	1	
9	391240	Manometro ø 63	Pressure gauge	1	⊕
10	1880250	Riduzione manometro	Pipe reducer	1	C ₁₀ ⊕
11	390311	Rosetta 8,5x17x1,5	Washer	2	
13	1880491	Rub. 3/8"-1/2" (M) DX	Right valve	2	⊕ Leva rossa ex 10131
14	110131	Racc. 1/2" G+tub. ø10	Fitting 1/2" G+hose ø10	2	
15	740290	OR ø 14x1,78	O-Ring	2	
16	2841240	Tappo 3/8" G	Plug	1	C ₁₀
17	880830	OR ø 15,54x2,62	O-Ring	1	
18	800342	Portagomma ø 16	Hose tail	1	
19	550450	Girello 3/4" G	Ring nut	1	
20	1140450	OR ø 20,24x2,62	O-Ring	1	
21	1880310	Vite TCEI M 8x65	Bolt	2	C ₁₀
22	450145	Flangia raccordo	Flange	1	
23	550350	OR ø 23,81x2,62	O-Ring	1	
24	320406	Staffa GS	Bracket	1	
25	390270	Dado M 8	Nut	2	C ₁₀
26	110130	Racc. 1/2" G+tub. ø13	Fitting 1/2" G+hose ø13	1	
27	550460	Curva ø18	Elbow	1	

• Non compreso nel GR 20 - No part of GR 20

(CI 0435MG)

(CI 0446MG)

(0008-1040)