





# Model PW 1500 WB PLUS

Version:

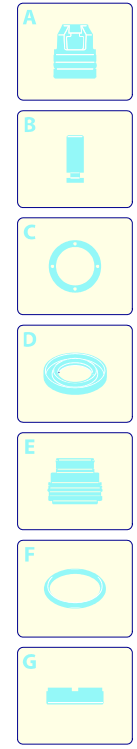
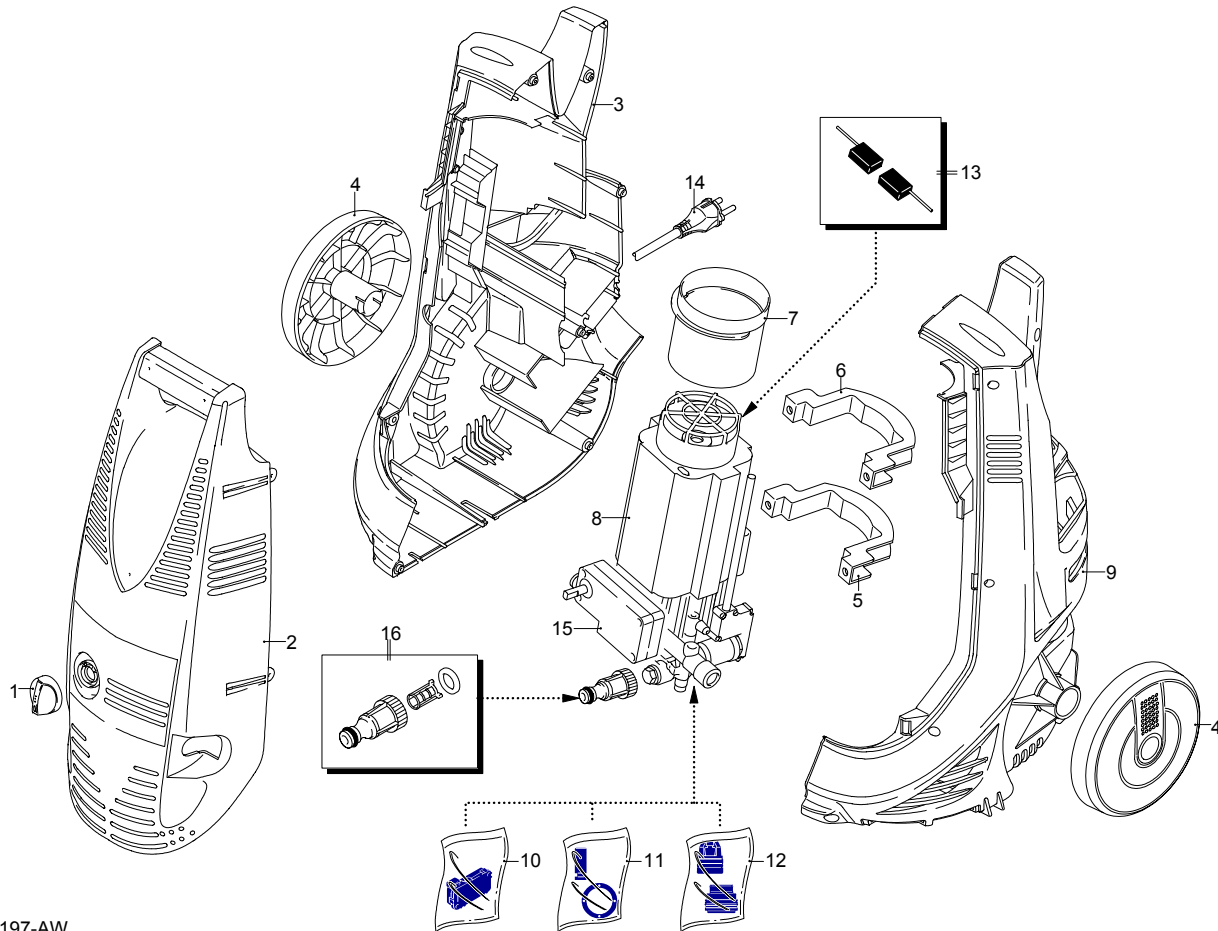
Serial number:

Code: **12906**

01/02/2010


230 V - 50 Hz

schuko

Validity	Pos.	Code	Description	Q
	1	3080480	Knob	1
	2	3080250	Orange casing	1
	3	2860160	Black casing	1
	4	3080240	Wheel	2
	5	3080740	Bracket	1
	6	3080730	Bracket	1
	7	3080750	Conveyor	1
	8	3081250	Electric pump assembly	1
	9	2860170	Black casing	1
	10	3081280	TSS kit	1
	11	3081270	Piston + seals kit	1
	12	3081290	Valves + seals kit	1
	13	3082580	Brush kit for motor	1
	14	50940	Cable	1
	15	3082070	Switch	1
	16	3082130	Water coupling kit	1



UN\_CE\_0197-AW



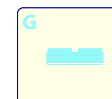
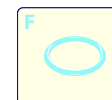
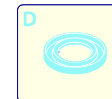
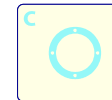
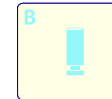
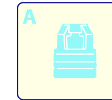
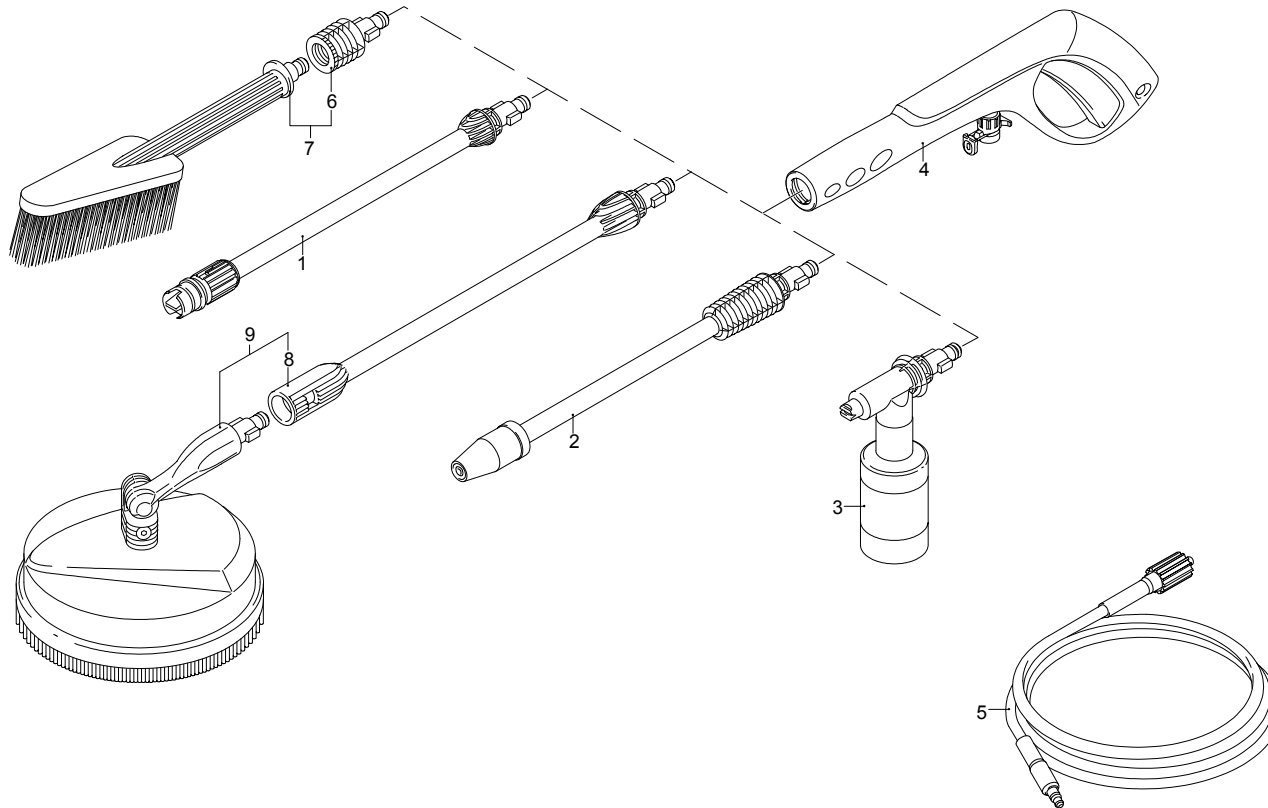
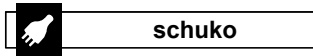
# Model PPW 1500 WB PLUS

Version:

Serial number:

Code: **12906**

01/02/2010



Validity	Pos.	Code	Description	Q
	1	50970	Lance+lance head	1
	2	50971	Lance+rotopower	1
	3	50954	Tank	1
	4	50991	Gun	1
	5	50969	High pressure hose	1
	6	40788	Adaptor	1
	7	40787	Fixed brush	1
	8	3082860	Extension	1
	9	40780	Mini patio brush	1

UN\_CE\_0341-AW