





# Model PW 1500 SX

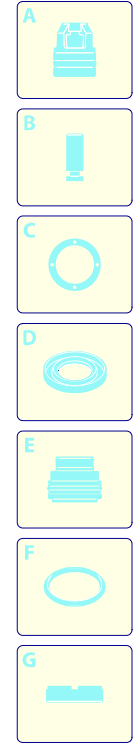
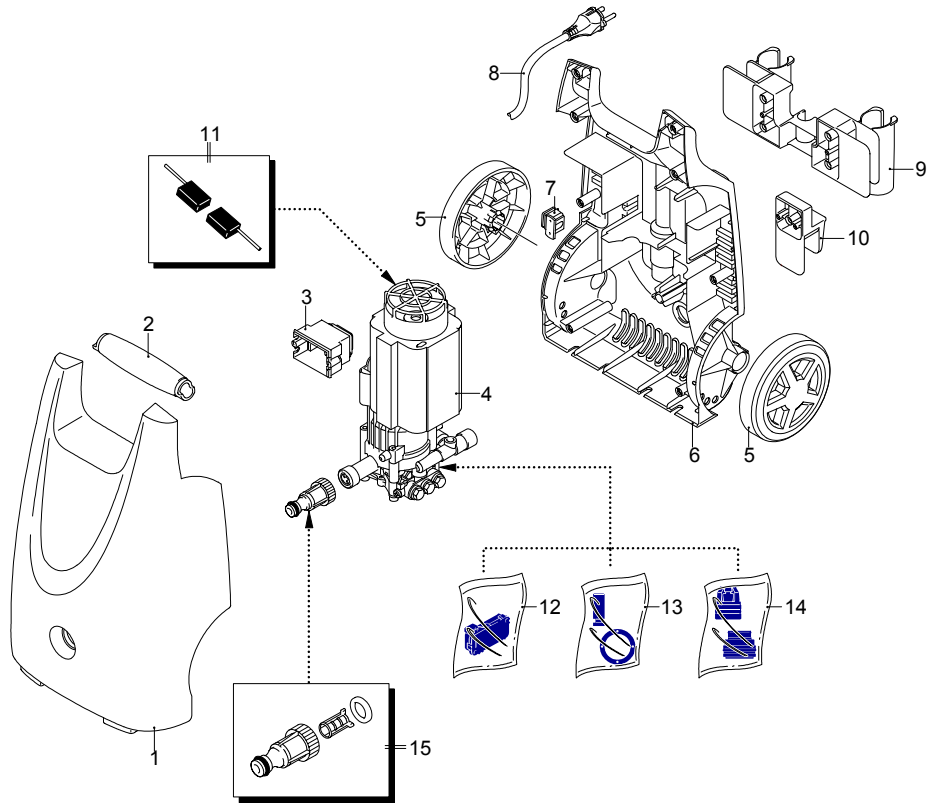
Version:

Serial number:

Code: **12762**

01/02/2010


230 V - 50 Hz

schuko



Validity	Pos.	Code	Description	Q
	1	3082230	Orange casing	1
	2	3080180	Handle	1
	3	3080170	Box	1
	4	3081210	Electric pump assembly	1
	5	3080150	Wheel	2
	6	3080100	Base	1
	7	3080580	Cable gland	1
	8	50940	Cable	1
	9	3080190	Accessories carrier	1
	10	3080280	Accessories carrier	1
	11	3082580	Brush kit for motor	1
	12	3081280	TSS kit	1
	13	3081270	Piston + seals kit	1
	14	3081290	Valves + seals kit	1
	15	3082130	Water coupling kit	1



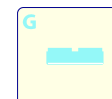
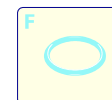
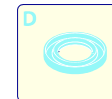
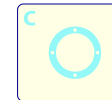
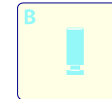
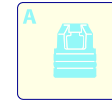
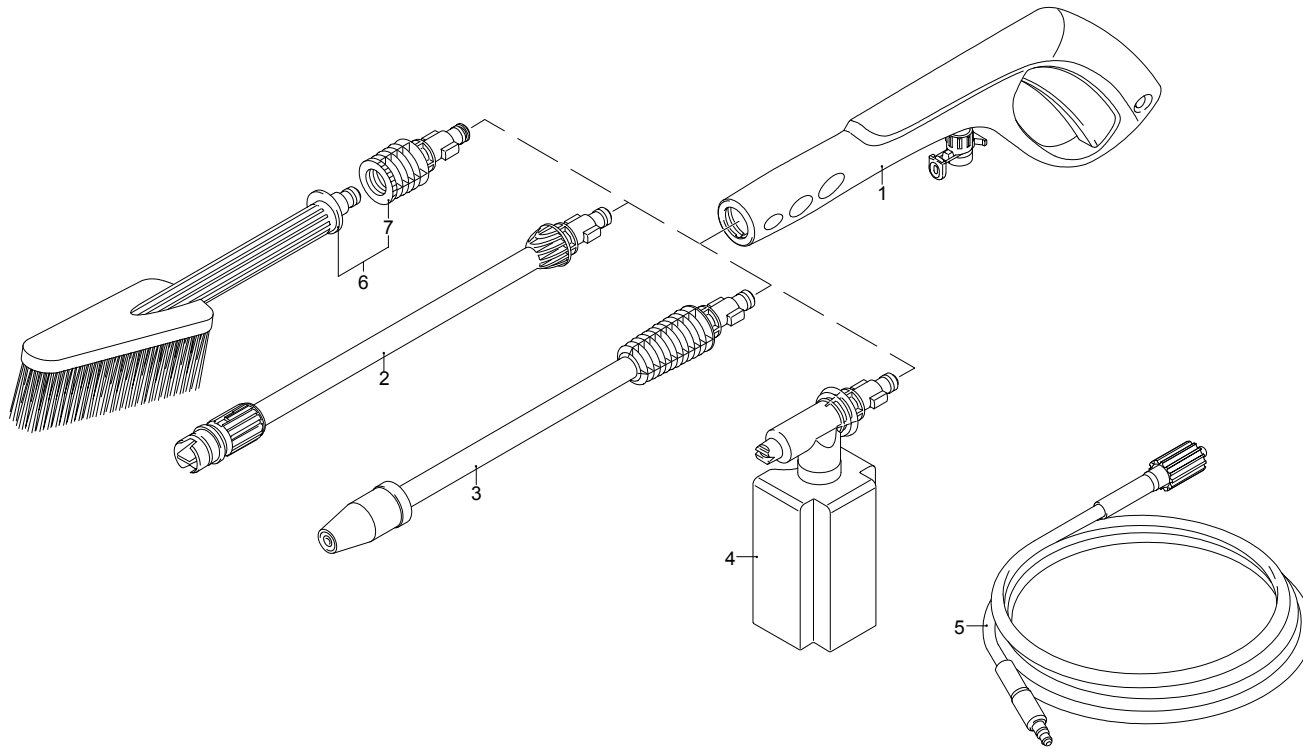
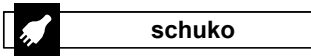
# Model PW 1500 SX

Version:

Serial number:

Code: **12762**

01/02/2010



Validity	Pos.	Code	Description	Q
	1	50991	Gun	1
	2	50970	Lance+lance head	1
	3	50971	Lance+rotopower	1
	4	50972	Tank	1
	5	50969	High pressure hose	1
	6	40787	Fixed brush	1
	7	3081600	Adaptor	1