

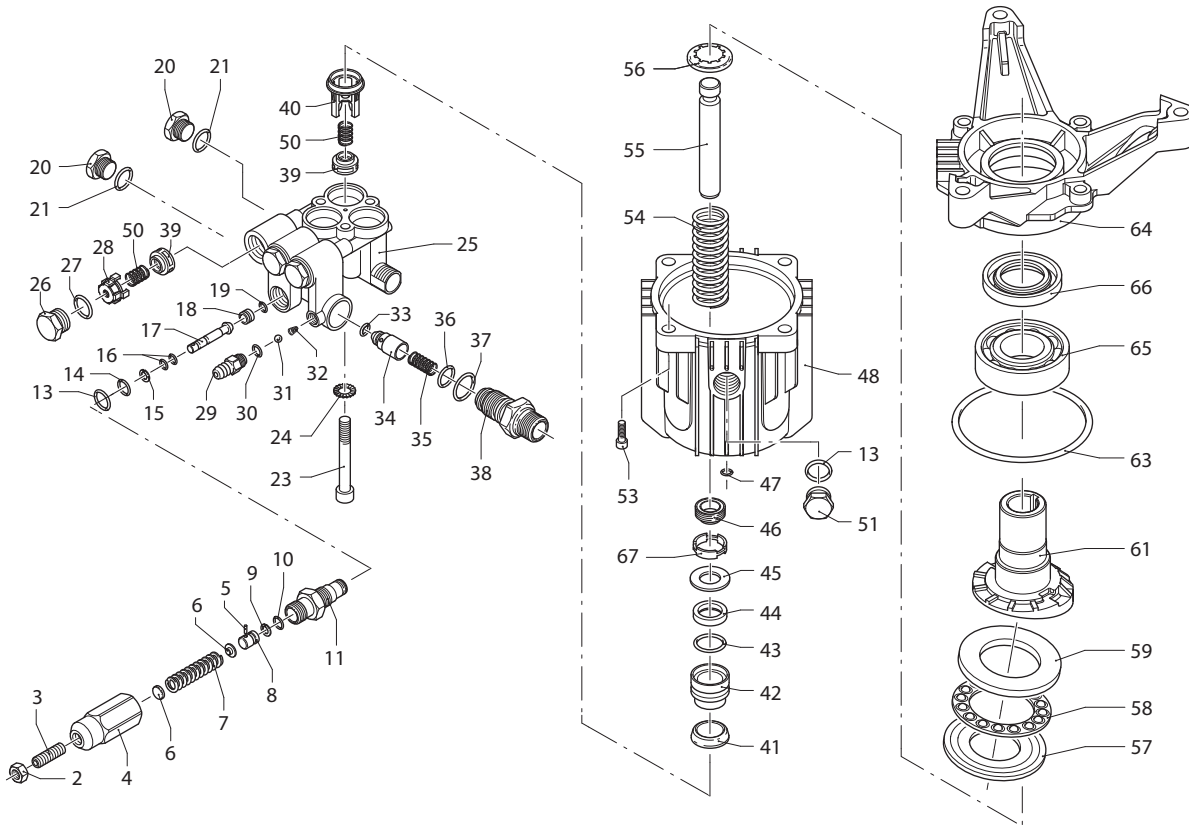
XJW-E

VERSION

D

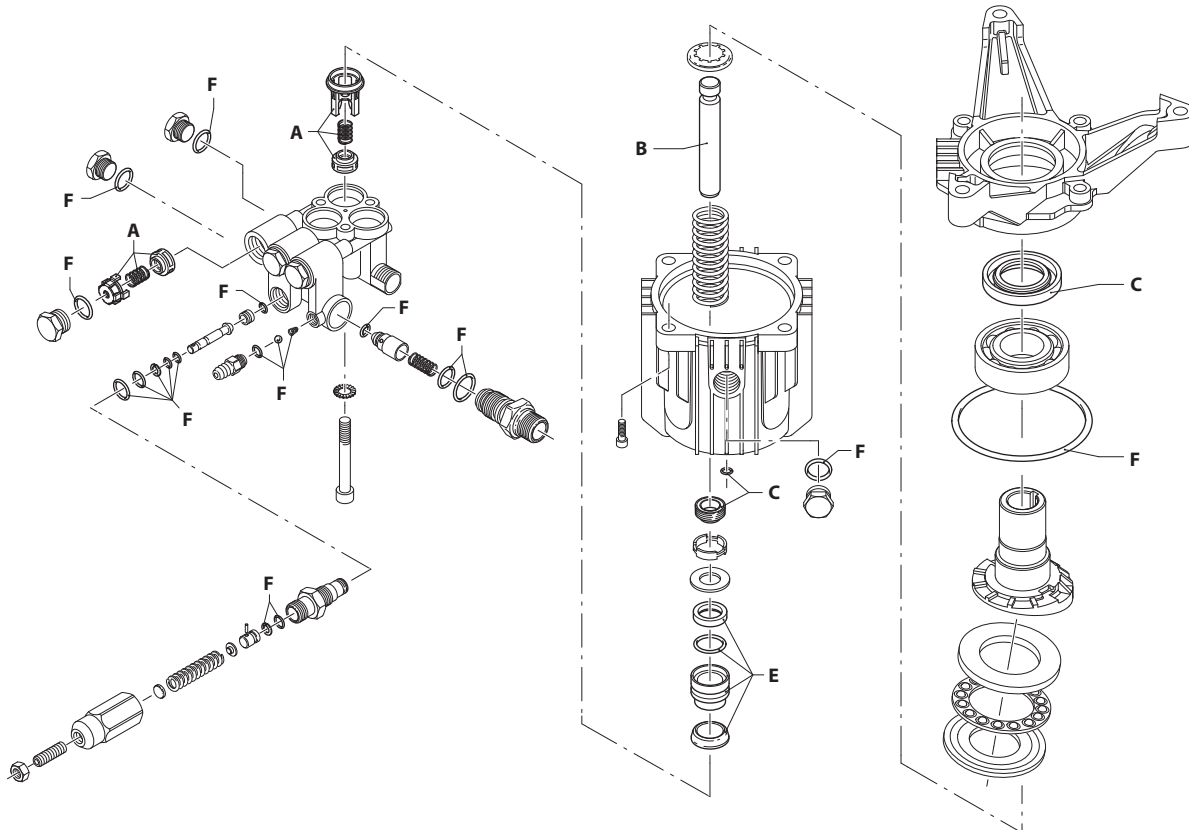
3400rpm

Ø 7/8"



UN001872-AV

KIT RICAMBI / PART KITS



UN001873-AV

198 Series

XJW-E 3400 rpm D version + F27 ø 7/8"

2 G22

2.5 G22

3 G22



Pos.	Cod. Part n°	Denominazione	Description	Q.tà Q.ty	Note Vedi / See	Pos.	Cod. Part n°	Denominazione	Description	Q.tà Q.ty	Note Vedi / See
2	1980300	Dado M 6	Nut	1		44	1260440	Guarnizione	Gasket	3	
3	392840	Grano M 6X16	Grub screw	1		45	1980170	Anello	Ring	3	
4	1980540	Inserito manopola	Handle insert	1		46	1980410	Anello tenuta	Seal	3	
5	1080070	Spina	Pin	1		47	770090	OR Ø 5,28x1,78	O-Ring	1	
6	1980220	Piattello molla	Plate spring	2		48	1980460	Corpo pompa	Housing	1	
7	1980520	Molla	Spring	1		49	740290	OR Ø 14x1,78	O-Ring	1	
8	1080041	Pistone superiore	Upper piston	1		50	1322230	Molla valvola	Valve spring	6	
9	1080401	Anello antiest.	Ring	1		51	1980740	Tappo 3/8" G	Plug	1	Ottone/Brass
10	1080250	OR Ø 7,66x1,78	O-Ring	1		53	180030	Vite TCEI M 8x20	Screw	4	
11	1980530	Guida pistone	Piston guide	1		54	1981140	Molla	Spring	3	
13	740290	OR Ø 14x1,78	O-Ring	1		55	1981440	Pistone	Piston	3	
14	800560	OR Ø 8,73x1,78	O-Ring	1		56	1980150	Anello	Ring	3	
15	1271170	Anello antiest.	Ring	1		57	1980130	Ralla	Thrust bearing	1	
16	1080190	OR Ø 2,90x1,78	O-Ring	2		58	1980250	Gabbia assiale	Bearing	1	
17	1271160	Pistone inferiore	Lower piston	1		59	1980240	Ralla	Thrust bearing	1	
18	1980200	Sede valvola	Valve seat	1		61	1982890	Albero femmina	Hollow shaft	1	□
19	1470210	OR Ø 9x1	O-Ring	1			1982920	Albero femmina	Hollow shaft	1	▼
20	880581	Tappo 1/4" G	Plug	2			1982870	Albero femmina	Hollow shaft	1	○
21	820510	OR Ø 10,82x1,78	O-Ring	2		63	1980340	OR Ø 83,8x2,62	O-Ring	1	
23	1980310	Vite TCEI M 10x65	Screw	3		64	1981430	Flangia	Flange	1	
24	650530	Rosetta	Washer	3		65	161060	Cuscinetto	Bearing	1	
25	1981500	Testa pompa	Pump head	1		66	1981730	Anello tenuta	Seal	1	
26	1260162	Tappo valvola	Plug	3		67	1980430	Distanziale	Spacer	3	
27	960160	OR Ø 17,86x2,62	O-Ring	3							
28	1981460	Gabbia valvola	Cage valve	3							
29	1982520	Portagomma	Hose tail	1							
30	480480	OR Ø 4,48x1,78	O-Ring	1							
31	1250280	Sfera	Ball	1							
32	1560520	Molla	Spring	1							
33	1460430	OR Ø 4x2,5	O-Ring	1							
34	1540170	Otturatore	Jet	1							
35	1080091	Molla	Spring	1							
36	394280	OR Ø 12,42x1,78	O-Ring	1							
37	1200690	OR Ø 15,6x1,78	O-Ring	1							
38	1270141	Iniettore detergente	Detergent injector	1							
39	880240	Valvola	Valve	6							
40	1981450	Gabbia valvola	Cage valve	3							
41	2460180	Guarnizione	Gasket	3							
42	1981470	Guida pistone	Piston guide	3							
43	770130	OR Ø 20,35x1,78	O-Ring	3							

KIT RICAMBI - PART KITS

A=KIT 2581 valvole valves		B=KIT 2593 pistoni pistons		C=KIT 2592 tenute olio oil seals		E=KIT 2582 tenute acqua water seals	
Pos.	Q.ty	Pos.	Q.ty	Pos.	Q.ty	Pos.	Q.ty
28	3	55	3	46	3	41	3
39	6			47	1	42	3
40	3			66	1	43	3
50	6					44	3

SIMBOLOGIA - SYMBOLS

○ Per / For XJW-E 2 G22 D □ Per / For XJW-E 2.5 G22 D ▼ Per / For XJW-E 3 G22 D

F=KIT 2583 OR O-Rings							
Pos.	Q.ty	Pos.	Q.ty	Pos.	Q.ty	Pos.	Q.ty
9	1	19	1	33	1		
10	1	21	2	36	1		
13	1	27	3	37	1		
14	1	30	1	49	1		
15	1	31	1	63	1		
16	2	32	1				

C Tolleranza coppia di serraggio 0÷10% / Tightening torque tolerance 0÷10%

Olio - Oil	
Tipo / Type	Quantità / Quantity
SAE 75W90	0,135 Kg