

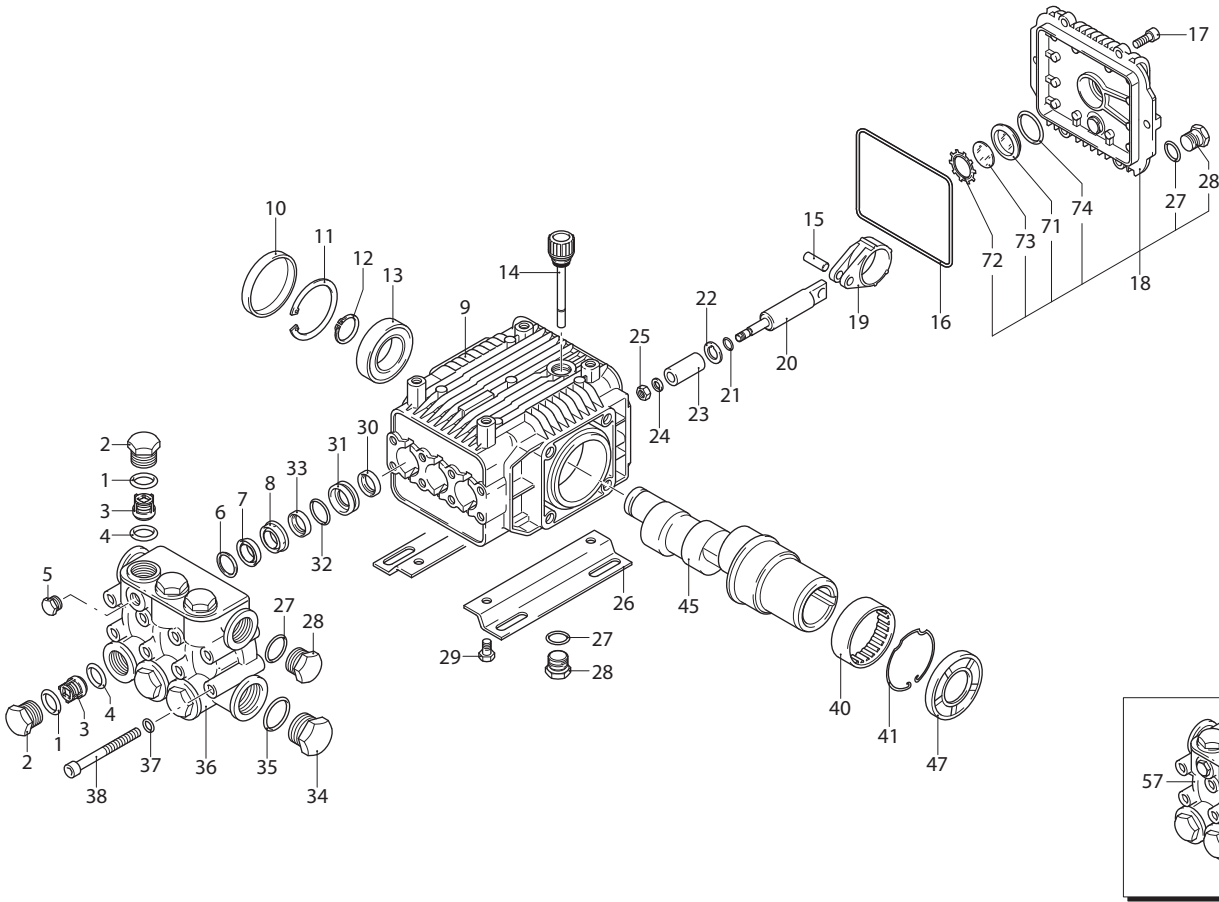
XM

VERSION

C

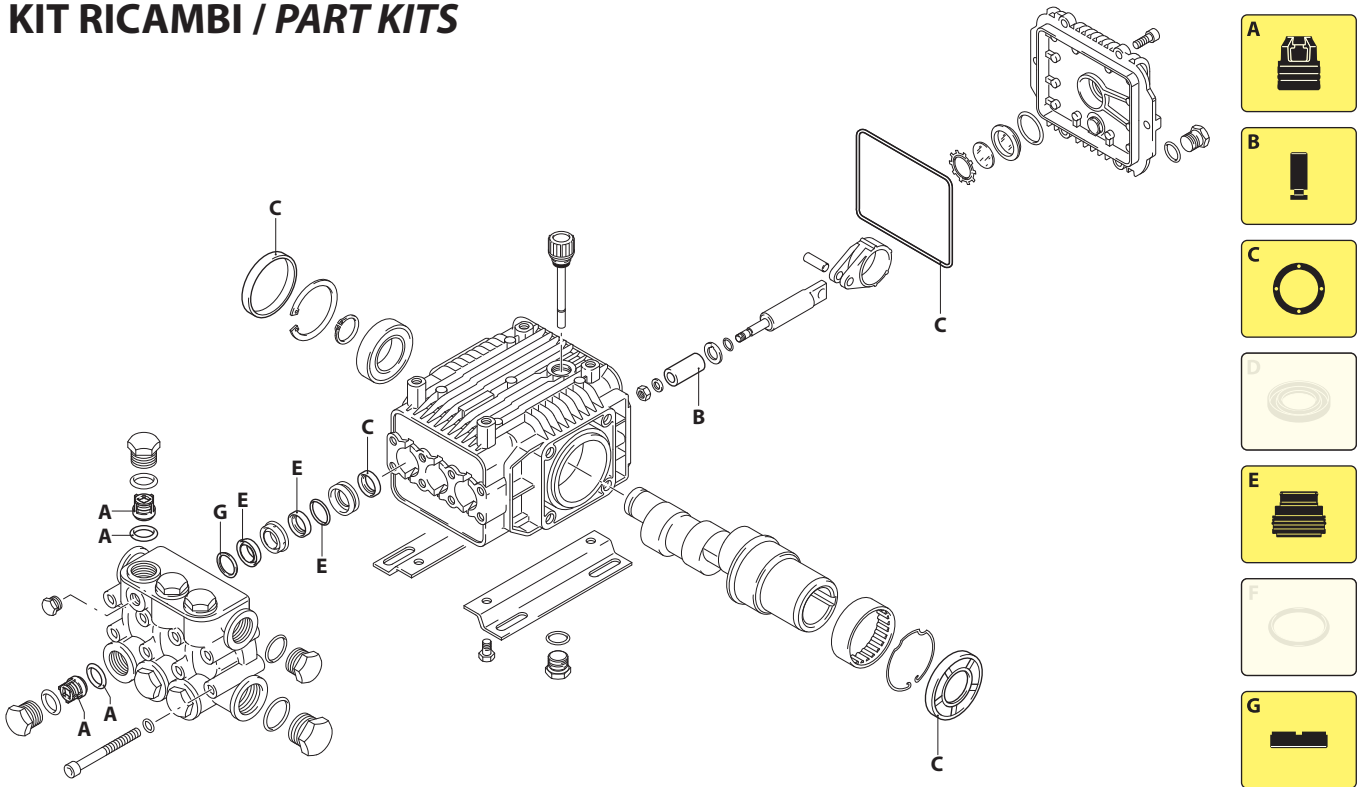
1450rpm

∅ 28 mm



UN001940-FU

KIT RICAMBI / PART KITS



UN001941-FU

178 Series

XM 1450 rpm C version ø 28 mm

11.17 13.17 15.15



| Pos. | Cod. Part n° | Denominazione | Description | Q.tà Q.ty | Note Vedi / See | Pos. | Cod. Part n° | Denominazione | Description | Q.tà Q.ty | Note Vedi / See |
|------|--------------|---------------------|-------------------|-----------|-----------------|------|--------------|--------------------|--------------------|-----------|-----------------|
| 1 | 960160 | OR Ø 17,86x2,62 | O-Ring | 6 | | 35 | 180101 | OR Ø 17,5x2 | O-Ring | 1 | |
| 2 | 1260160 | Tappo valvola | Plug | 6 | C=50Nm | 36 | 1780020 | Testa | Head | 1 | |
| 3 | 1269050 | Valvola completa | Complete valve | 6 | | 37 | 1381550 | Rondella | Washer | 8 | |
| 4 | 880830 | OR Ø 15,54x2,62 | O-Ring | 6 | | 38 | 1322730 | Vite TCEI M 6x60 | Screw | 8 | C=15Nm |
| 5 | 620301 | Tappo 1/8" G conico | Plug | 1 | ⊕ | 40 | 1321190 | Cuscinetto | Bearing | 1 | |
| 6 | 1780130 | Anello appoggio | Support ring | 3 | Ø 15 ○ | 41 | 1321080 | Anello elastico | Snap ring | 1 | |
| 7 | 1780140 | Anello appoggio | Support ring | 3 | Ø 18 ■ ▲ | 45 | 1780240 | Albero eccentrico | Crank shaft | 1 | ○ Marcato 1 |
| 8 | 1260130 | Guarnizione | Gasket | 3 | Ø 15 ○ | 47 | 1780250 | Albero eccentrico | Crank shaft | 1 | ■ Marcato 2 |
| | 1260220 | Guarnizione | Gasket | 3 | Ø 18 ■ ▲ | 57 | 1780570 | Albero eccentrico | Crank shaft | 1 | ▲ Marcato 4 |
| | 1780090 | Guida pistone | Piston guide | 3 | Ø 15 ○ | | 480671 | Anello tenuta | Seal | 1 | (b) |
| | 1780110 | Guida pistone | Piston guide | 3 | Ø 18 ■ ▲ | | 1789201 | Prem. testa pompa | Pump head pre-ass. | 1 | Ø 15 ○ |
| 9 | 1780010 | Corpo pompa | Pump body | 1 | | | 1789202 | Prem. testa pompa | Pump head pre-ass. | 1 | Ø 18 ■ ▲ |
| 10 | 1266740 | Cappello chiuso | Cap | 1 | | 71 | 1260250 | Livello olio | Oil indicator | 1 | |
| 11 | 1260790 | Anello seeger Øi 52 | Circlip | 1 | | 72 | 1260430 | Anello elastico | Snap ring | 1 | |
| 12 | 1780550 | Anello elastico | Snap ring | 1 | | 73 | 1780690 | Disco di contrasto | Disc | 1 | |
| 13 | 1780490 | Cuscinetto | Bearing | 1 | | 74 | 1140450 | OR Ø 20,24x2,62 | O-Ring | 1 | |
| 14 | 880130 | Tappo olio | Oil cap | 1 | | | | | | | |
| 15 | 1780050 | Spinotto | Piston pin | 3 | | | | | | | |
| 16 | 1780510 | OR Ø 106x3 | O-Ring | 1 | | | | | | | |
| 17 | 1200430 | Vite TCEI M 6x16 | Screw | 6 | C=10Nm | | | | | | |
| 18 | 1789010 | Coperchio completo | Complete cover | 1 | | | | | | | |
| 19 | 1780040 | Biella | Con rod | 3 | | | | | | | |
| 20 | 1780060 | Pistone di guida | Guiding piston | 3 | | | | | | | |
| 21 | 480480 | OR Ø 4,48x1,78 | O-Ring | 3 | | | | | | | |
| 22 | 1260091 | Disco separatore | Spacer disc | 3 | | | | | | | |
| 23 | 1780070 | Pistone | Piston | 3 | Ø 15 ○ | | | | | | |
| | 1780080 | Pistone | Piston | 3 | Ø 18 ■ ▲ | | | | | | |
| 24 | 1260100 | Rondella pistone | Piston washer | 3 | | | | | | | |
| 25 | 1260110 | Dado M 8 | Nut | 3 | ⊕ C=10Nm | | | | | | |
| 26 | 1380141 | Piede | Base | 2 | Optional | | | | | | |
| 27 | 740290 | OR Ø 14x1,78 | O-Ring | 3 | | | | | | | |
| 28 | 1980740 | Tappo 3/8" G Ottone | 3/8" G plug | 3 | C=20Nm | | | | | | |
| 29 | 1263130 | Vite TE M 8x12 | Screw | 4 | Optional | | | | | | |
| 30 | 1260460 | Anello tenuta | Seal | 3 | | | | | | | |
| 31 | 1780100 | Guida pistone post. | Rear piston guide | 3 | Ø 15 ○ | | | | | | |
| | 1780120 | Guida pistone post. | Rear piston guide | 3 | Ø 18 ■ ▲ | | | | | | |
| 32 | 770260 | OR Ø 23,52x1,78 | O-Ring | 3 | | | | | | | |
| 33 | 1260440 | Guarnizione | Gasket | 3 | Ø 15 ○ | | | | | | |
| | 1260450 | Guarnizione | Gasket | 3 | Ø 18 ■ ▲ | | | | | | |
| 34 | 820361 | Tappo 1/2" G | Plug | 1 | Ottone/Brass | | | | | | |

KIT RICAMBI - PART KITS

| A=KIT 1864 valvole valves | | B=KIT 2739 ø 15 pistoni pistons | | B=KIT 2746 ø 18 pistoni pistons | | C=KIT 2787 tenute olio oil seals | |
|---------------------------------|------|---------------------------------------|------|---------------------------------------|------|--|------|
| Pos. | Q.ty | Pos. | Q.ty | Pos. | Q.ty | Pos. | Q.ty |
| 3 | 6 | 23 | 3 | 23 | 3 | 10 | 1 |
| 4 | 6 | | | | | 16 | 1 |
| | | | | | | 30 | 3 |
| | | | | | | 47 | 1 |

| E=KIT 2741 ø 15 tenute acqua water seals | | E=KIT 2747 ø 18 tenute acqua water seals | | G=KIT 2740 ø 15 anelli appoggio support rings | | G=KIT 2745 ø 18 anelli appoggio support rings | |
|--|------|--|------|---|------|---|------|
| Pos. | Q.ty | Pos. | Q.ty | Pos. | Q.ty | Pos. | Q.ty |
| 7 | 3 | 7 | 3 | 6 | 3 | 6 | 3 |
| 32 | 3 | 32 | 3 | | | | |
| 33 | 3 | 33 | 3 | | | | |

SIMBOLOGIA - SYMBOLS

○ Per / For XM 11.17 ▲ Per / For XM 13.17 ■ Per / For XM 15.15

C Tolleranza coppia di serraggio 0÷10% / Tightening torque tolerance 0÷10%

⊕ Avvitare con Loxeal 55-14 / Screw with Loxeal 55-14

(b) Montare anello tenuta con attrezzo cod. 1781000 / Fit the seal with tool code nr. 1781000

PARTI SPECIALI IN VITON SPECIAL PARTS

| Cod. - Part n° | Denominazione - Description | Q.tà - Q.ty |
|----------------|-------------------------------|-------------|
| 2776 | Tenute acqua/Water seals ø 15 | 1 |
| 2777 | Tenute acqua/Water seals ø 18 | 1 |

| Olio - Oil | |
|-------------|---------------------|
| Tipo / Type | Quantità / Quantity |
| SAE 15W40 | 0,415 Kg |