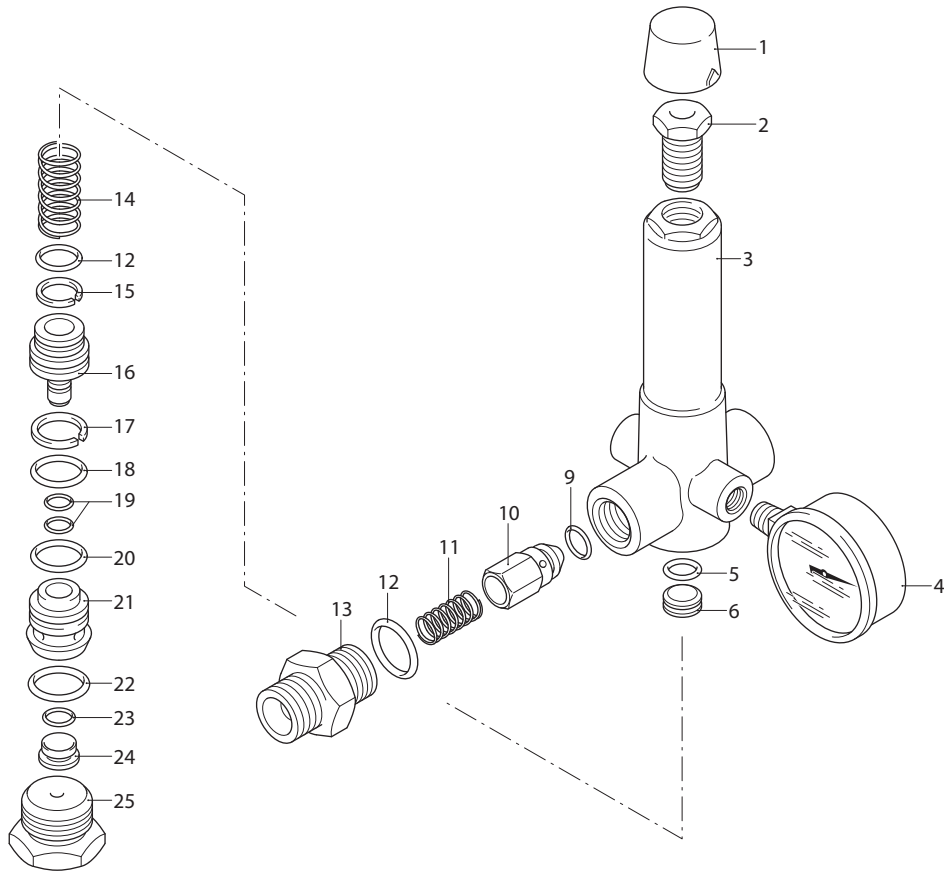
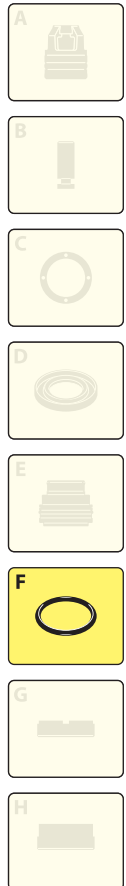
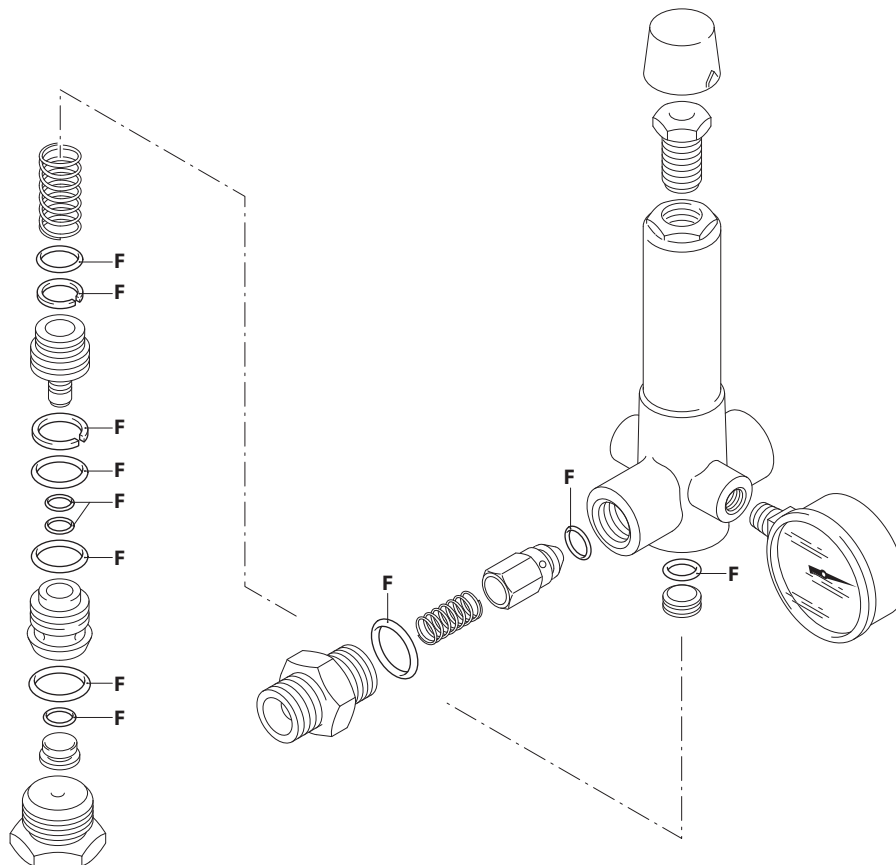


# ZEROMATIC/93 ZEROMATIC/CSC



UN000198-CT

## KIT RICAMBI / PART KITS



UN000199-CT



| Pos. | Cod.    | Denominazione               | Description    | Qt | Note       | Pos. | Cod. | Denominazione | Description | Qt | Note |
|------|---------|-----------------------------|----------------|----|------------|------|------|---------------|-------------|----|------|
| 1    | 1020120 | Coperchio                   | Cover          | 1  |            |      |      |               |             |    |      |
| 2    | 1020080 | Vite                        | Screw          | 1  |            |      |      |               |             |    |      |
| 3    | 1560120 | Corpo valvola               | Valve body     | 1  | ● ▲        |      |      |               |             |    |      |
|      | 1560200 | Corpo valvola               | Valve body     | 1  | ■          |      |      |               |             |    |      |
| 4    | 740260  | Manometro                   | Pressure gauge | 1  | Optional   |      |      |               |             |    |      |
| 5    | 770570  | Guarnizione OR Ø 18,77x1,78 | O-ring         | 1  |            |      |      |               |             |    |      |
| 6    | 1020070 | Piattello                   | Wobble plate   | 1  |            |      |      |               |             |    |      |
| 9    | 1560150 | Guarnizione OR Ø 5,94x3,53  | O-ring         | 1  | ● ■        |      |      |               |             |    |      |
| 10   | 1560100 | Otturatore                  | Shutter        | 1  | ● ■        |      |      |               |             |    |      |
| 11   | 1560140 | Molla                       | Spring         | 1  | ● ■        |      |      |               |             |    |      |
| 12   | 960160  | Guarnizione OR Ø 17,86x2,62 | O-ring         | 2  |            |      |      |               |             |    |      |
| 13   | 1560130 | Raccordo 3/8" G             | Fitting        | 1  | ● ▲ ⊕      |      |      |               |             |    |      |
|      | 1560210 | Raccordo 3/8" NPT           | Fitting        | 1  | ■ ⊕        |      |      |               |             |    |      |
| 14   | 1020110 | Molla                       | Spring         | 1  |            |      |      |               |             |    |      |
| 15   | 1020190 | Anello antiestrusione       | Ring           | 1  |            |      |      |               |             |    |      |
| 16   | 1020040 | Pistone                     | Piston         | 1  |            |      |      |               |             |    |      |
| 17   | 1020200 | Guarnizione OR Ø 20,63x2,62 | O-ring         | 1  |            |      |      |               |             |    |      |
| 18   | 390060  | Guarnizione OR Ø 20,63x2,62 | O-ring         | 1  |            |      |      |               |             |    |      |
| 19   | 600180  | Guarnizione OR Ø 7,66x1,78  | O-ring         | 2  |            |      |      |               |             |    |      |
| 20   | 770260  | Guarnizione OR Ø 23,52x1,78 | O-ring         | 1  |            |      |      |               |             |    |      |
| 21   | 1020031 | Centraggio                  | Ring           | 1  |            |      |      |               |             |    |      |
| 22   | 550350  | Guarnizione OR Ø 23,81x2,62 | O-ring         | 1  |            |      |      |               |             |    |      |
| 23   | 880840  | Guarnizione OR Ø 9,25x1,78  | O-ring         | 1  |            |      |      |               |             |    |      |
| 24   | 1020061 | Sede                        | Seat           | 1  |            |      |      |               |             |    |      |
| 25   | 1020020 | Tappo                       | Plug           | 1  | ● ▲ C=50Nm |      |      |               |             |    |      |
|      | 1020290 | Tappo                       | Plug           | 1  | ■ C=50Nm   |      |      |               |             |    |      |

### KIT RICAMBI - PART KITS

| F=KIT 1830<br>OR<br>O-Rings |      |      |      |      |      |      |      |
|-----------------------------|------|------|------|------|------|------|------|
| Pos.                        | Q.ty | Pos. | Q.ty | Pos. | Q.ty | Pos. | Q.ty |
| 5                           | 1    | 20   | 1    |      |      |      |      |
| 9                           | 1    | 22   | 1    |      |      |      |      |
| 12                          | 2    | 23   | 1    |      |      |      |      |
| 15                          | 1    |      |      |      |      |      |      |
| 17                          | 1    |      |      |      |      |      |      |
| 18                          | 1    |      |      |      |      |      |      |
| 19                          | 1    |      |      |      |      |      |      |

| Pos. | Q.ty | Pos. | Q.ty | Pos. | Q.ty | Pos. | Q.ty |
|------|------|------|------|------|------|------|------|
|      |      |      |      |      |      |      |      |

### SIMBOLOGIA - SYMBOLS

- Per / For ZEROMATIC/93 cod. 2907  
MAX 250 bar, 40 l/min  
INLET: 1/2" G (F)  
OUTLET: 3/8" G (M)  
BY-PASS: 1/2" G (F)
- Per / For ZEROMATIC/93 cod. 2908  
MAX 250 bar, 40 l/min  
INLET: 1/2" NPT (F)  
OUTLET: 3/8" NPT (M)  
BY-PASS: 1/2" NPT (F)
- ▲ Per / For ZEROMATIC/CSC cod. 22789  
MAX 250 bar, 40 l/min  
INLET: 1/2" G (F)  
OUTLET: 3/8" G (M)  
BY-PASS: 1/2" G (F)

- C Tolleranza coppia di serraggio 0÷10% / Tightening torque tolerance 0÷10%
- ⊕ Avvitare con Loxeal 55-14 / Screw with Loxeal 55-14